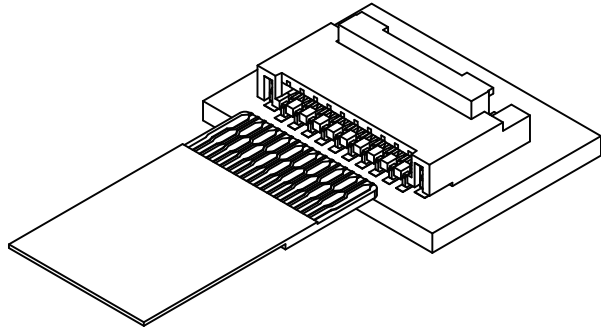


FVR CONNECTOR

0.2 mm pitch/Connectors for PC board/For FPC, ZIF type



This is low profile and space saving type connector for FPC with 0.2 mm pitch, 0.95 mm height, and 3.0 mm depth. Back flip type of double-sided contact improves the freedom for routing of FPC.

Features

- 0.2 mm pitch space saving connector
- Double-sided contact for easy routing of FPC
- Smooth locking connection by supplying with cover opened
- With reinforcement strong structure
- Environmentally friendly halogen-free product

Specifications

- Current rating : 0.2 A AC/DC
- Voltage rating : 50 V AC/DC
- Temperature range : -25°C to +85°C
(including temperature rise in applying electrical current)
- Contact resistance : Initial value/ 120 mΩ max.
After environmental tests/ 60 mΩ max.
(variation from initial value)
- Insulation resistance : 50 MΩ min.
- Withstanding voltage : 200 VAC/minute
- Applicable FPC :
Conductor pitch/ 0.2 mm (0.4 mm pitch staggered)
Mating part thickness/ 0.2 ± 0.03 mm

* In using the products, refer to "Handling Precaution for Terminals and Connectors" described on our website (Technical documents of Product information page).

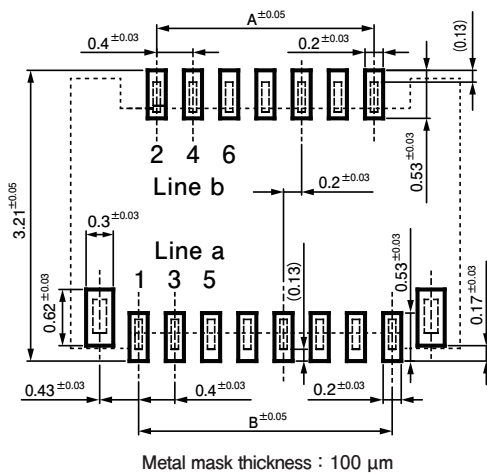
* RoHS2 compliance

* Dimensional unit: mm

* Contact JST for details.

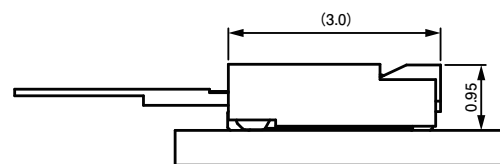
PC board layout and Assembly layout

PC board layout



No. of circuits	Dimensions (mm)	
	A	B
39	7.2	7.6
51	9.6	10.0
61	11.6	12.0
71	13.6	14.0

Assembly layout



Note : 1. The above figure is the figure viewed from the connector mounting side.

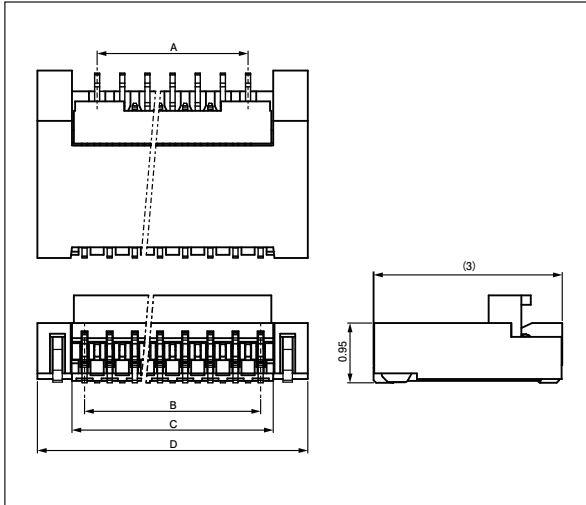
2. Tolerances are non-cumulative: ± 0.03 mm for all centers.

Please contact JST for details as the dimensions shown in the above figure are reference values.

3. Contact JST for nitrogen (N2) reflow soldering.

FVR CONNECTOR

Connector



No. of circuits	Model No.	Dimensions (mm)				Q'ty/ reel
		A	B	C	D	
39	39FVR-SM1-GAN-TB(HF)	7.2	7.6	8.0	9.1	5,500
51	51FVR-SM1-GAN-TB(HF)	9.6	10.0	10.4	11.5	5,500
61	61FVR-SM1-GAN-TB(HF)	11.6	12.0	12.4	13.5	5,500
71	71FVR-SM1-GAN-TB(HF)	13.6	14.0	14.4	15.5	5,500

Material and Finish

Contact: Copper alloy, nickel-undercoated, selective gold-plated
Housing: Heat resisting resin, UL94V-0 (black)
Cover: Heat resisting resin, UL94-HB (gray)
Reinforcement: Copper alloy, copper-undercoated, tin-plated (reflow treatment)

RoHS2 compliance

The product listed above is supplied on embossed-tape.

Dimensions of FPC lead section

