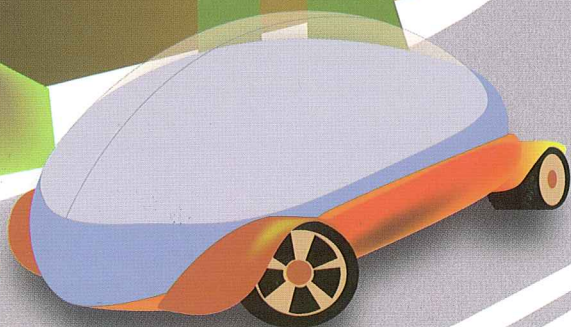




GLOBAL AUTOMOTIVE CONNECTORS

VOL. 6e



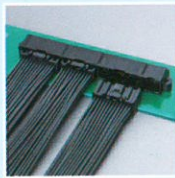
JST

Board-to-Wire Connectors

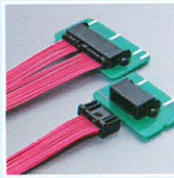
CPTconnector...p14



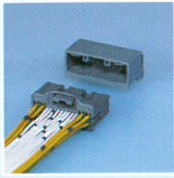
CPIconnector...p21



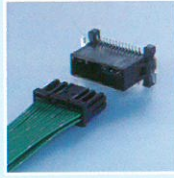
MECconnector...p24



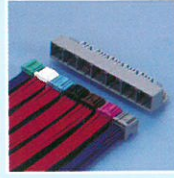
SHCconnector...p28



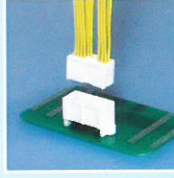
BMDconnector...p33



HITconnector...p36



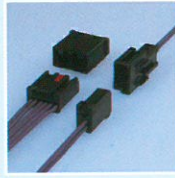
MIOconnector...p40



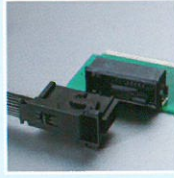
AITconnector...p43



AIT IIconnector...p48



ACAconnector...p58



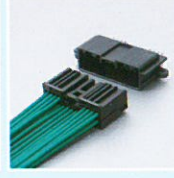
HCMconnector...p61



HCHconnector...p68



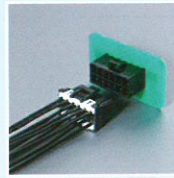
ATLconnector...p72



RADconnector...p75



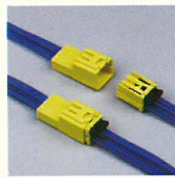
PEAconnector...p78



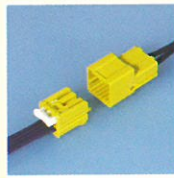
Safety System Connectors

(Wire-to-Wire)

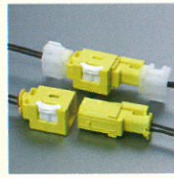
HICconnector...p81



SNAconnector...p84



SABconnector...p87

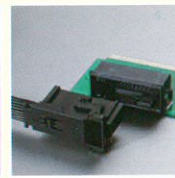


(Board-to-Wire)

CITconnector...p91



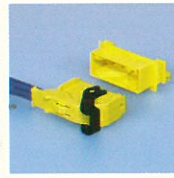
ACAconnector...p58



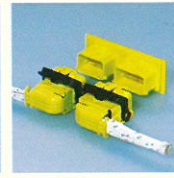
GIT80Pconnector...p95



GIT18Pconnector...p99

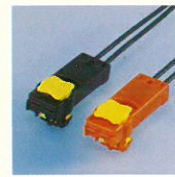


WICconnector...p102

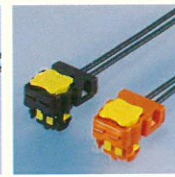


(Squib Connector)

SQSconnector...p106



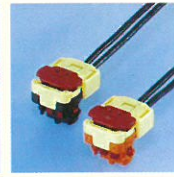
SQMconnector...p109



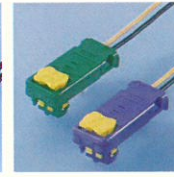
SQHconnector...p112



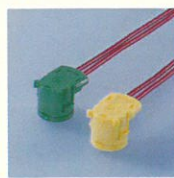
SQS IIconnector...p115



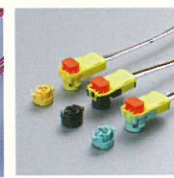
SQWconnector...p118



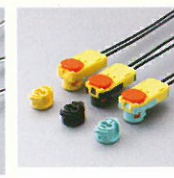
SQFconnector...p121



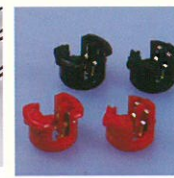
SQXWconnector...p124



SQSKconnector...p127



Shuntring ... p130



Wire-to-Wire Connectors

HICconnector...p81

SNAconnector...p84

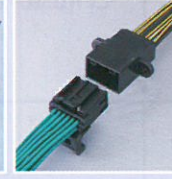
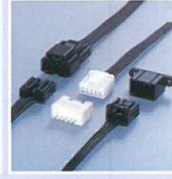
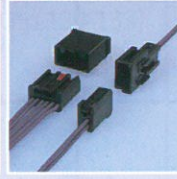
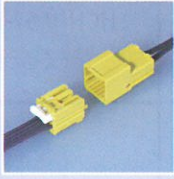
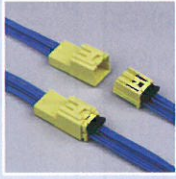
AITconnector...p43

AIT IIconnector...p48

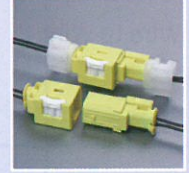
HCMconnector...p61

ARVconnector...p132

NAC Iconnector...p136



SABconnector...p87



Sealed Connectors(Board-to-wire)

WPZconnector...p138

WICconnector...p102

ZROconnector...p141

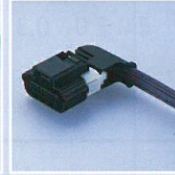
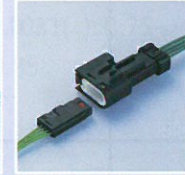
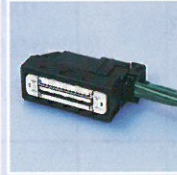
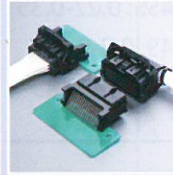
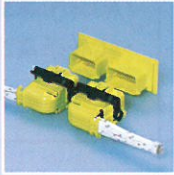
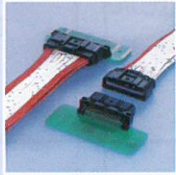
ASGconnector...p145

(Wire-to-wire)

SACconnector...p148

ATSSconnector...p151

SABconnector...p87

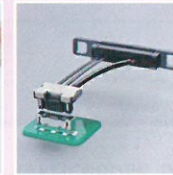
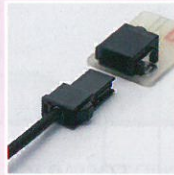
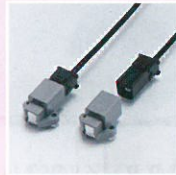


High Frequency Connectors

CNconnector...p153

EA1connector...p156

ASconnector...p161

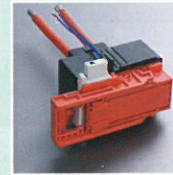


High Voltage Connectors

SPH2connector...p164

HVGWconnector...p168

HVGTconnector...p172



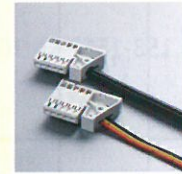
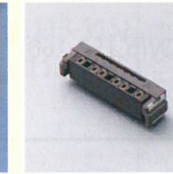
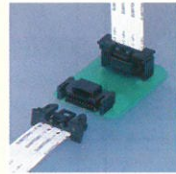
Others

FOXconnector...p176

BICconnector...p179

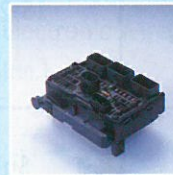
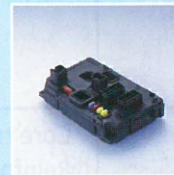
HVDconnector...p181

PFWconnector...p183



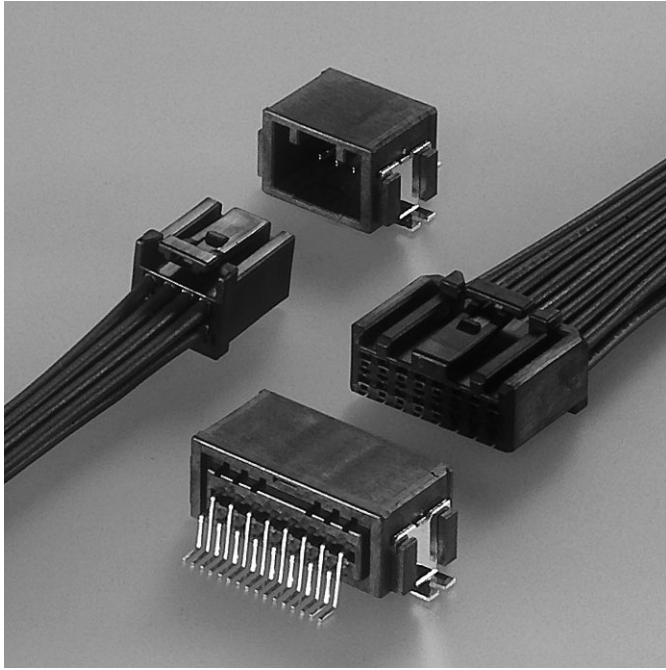
Junction Box

Custom-Madeconnector...p185



CPT CONNECTOR

Board-to-wire



Features

● Compact design

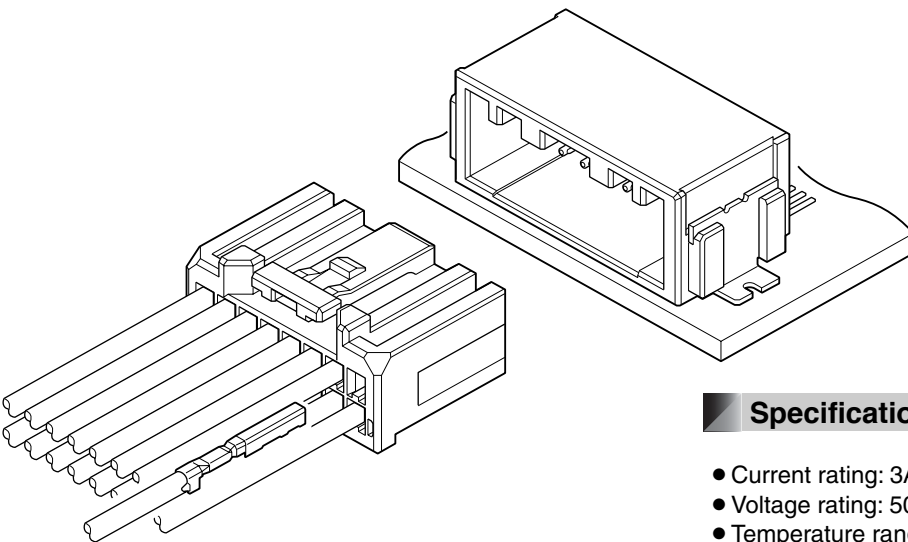
2.0mm pitch is realized miniaturization and low profile as the connector for automobile.

● Terminal construction

Female terminal is designed for simple box structure by having spring structure on male terminal.

Developed in pursuit of miniaturization and low profile as PC board connector for automobile.

This connector is surface mounting type connector having the spring structure on male terminal disproving the conventional concept.



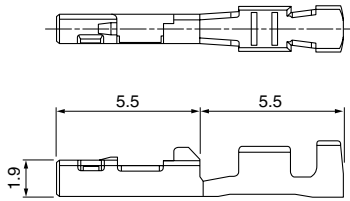
Specifications

- Current rating: 3A AC, DC (0.3mm², Single circuit)
- Voltage rating: 50V AC, DC
- Temperature range: -40°C to +100°C
(including temperature rise in applying electrical current)
- Contact resistance: Initial value/8mΩ max.
After environmental testing/16mΩ max.
- Insulation resistance: 100MΩ min.
- Withstanding voltage: 1,000V AC/minute
- Applicable wire: AES SX-f/ AVSS
0.3mm²

* Compliant with ELV/RoHS.

* Contact JST for details.

Female terminal



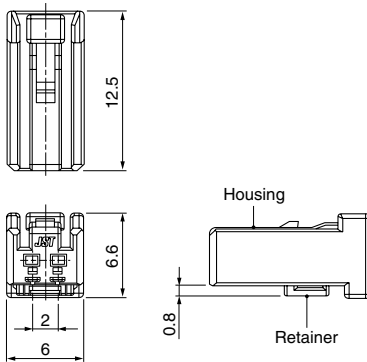
Model No.	Applicable wire range		Q'ty/reel
	Conductor (mm ²)	Insulation O.D. (mm)	
SCPT-A021GF-0.5	0.3	1.4	15,000

Material and Finish

Brass, nickel-undercoated, Contact area; gold-plated
Barrel area; tin-plated

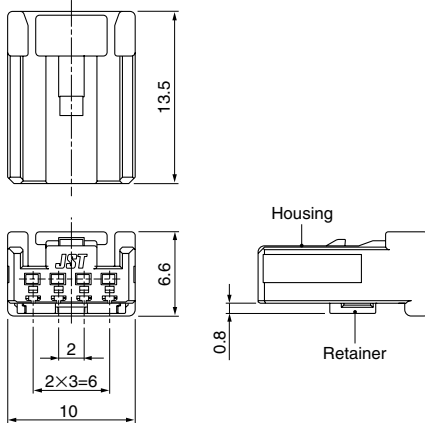
Female connector

• 2 circuits

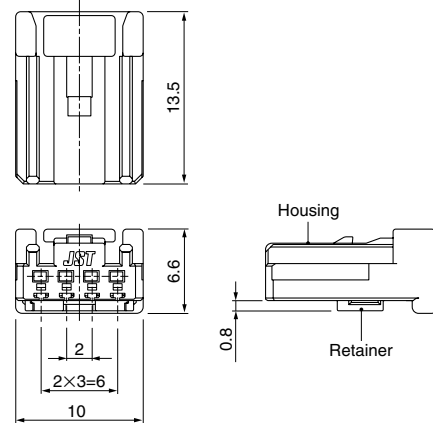


• 4 circuits

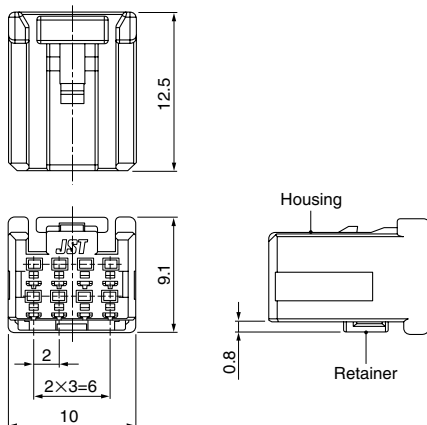
04CPT-B1-2A



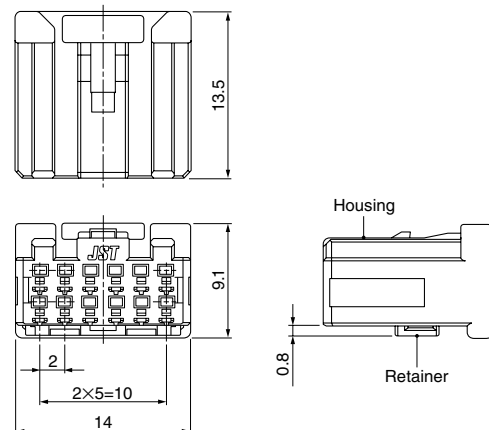
04CPT-B1-2B



• 8 circuits



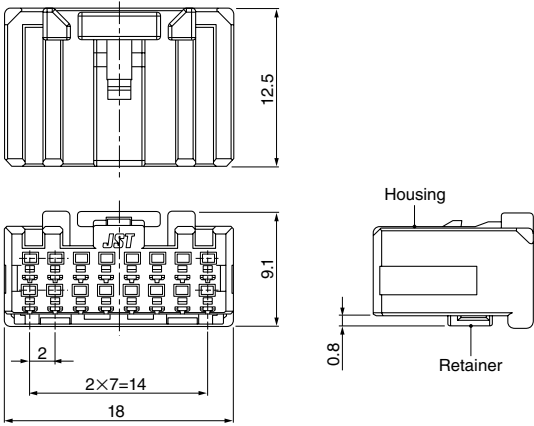
• 12 circuits



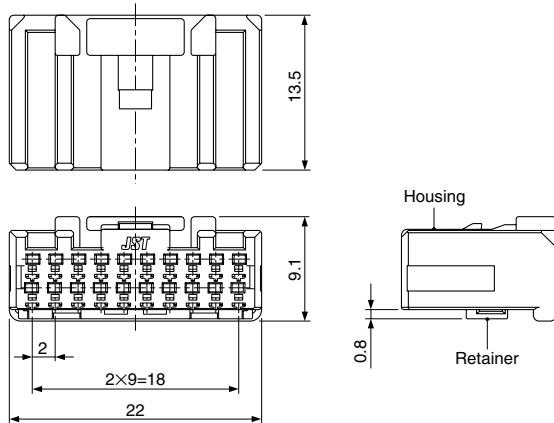
CPT CONNECTOR

Female connector

• 16 circuits



• 20 circuits



Circuits	Model No.	Q'ty/box
2	02CPT-B-2A	500
4	04CPT-B1-2A	600
	04CPT-B1-2B	
8	08CPT-B-2A	500
12	12CPT-B-2A	300
16	16CPT-B-2A	250
20	20CPT-B-2A	250

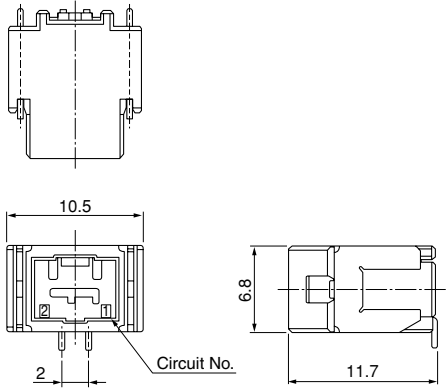
Material

Housing: Glass-filled PBT, black
 Retainer: Glass-filled PBT, blue

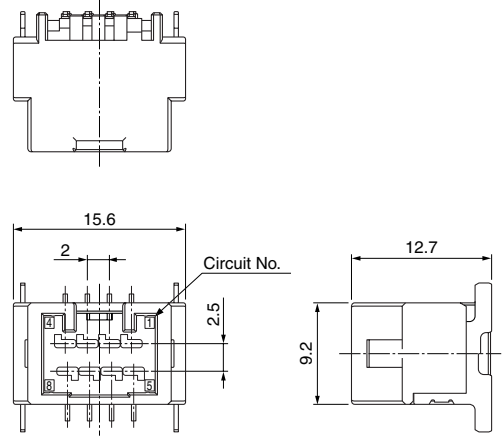
Male connector

Top entry type

● 2 circuits

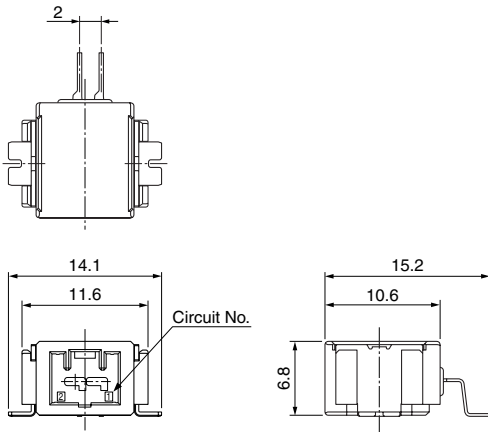


● 8 circuits



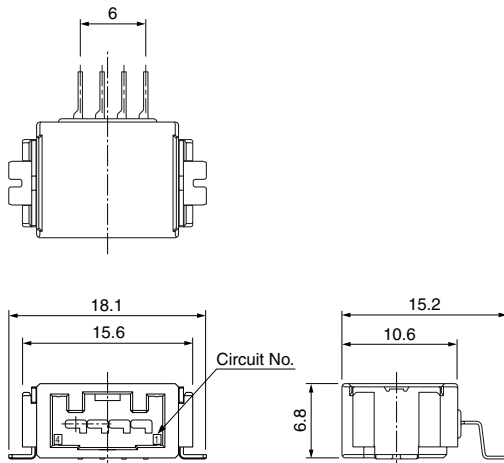
Side entry type

● 2 circuits

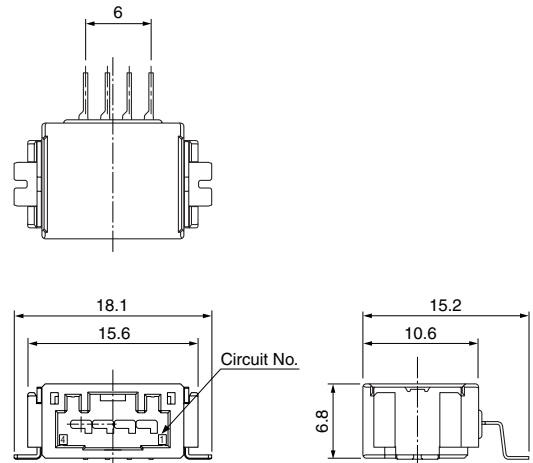


● 4 circuits

SM04B1-CPTK-1A-TB



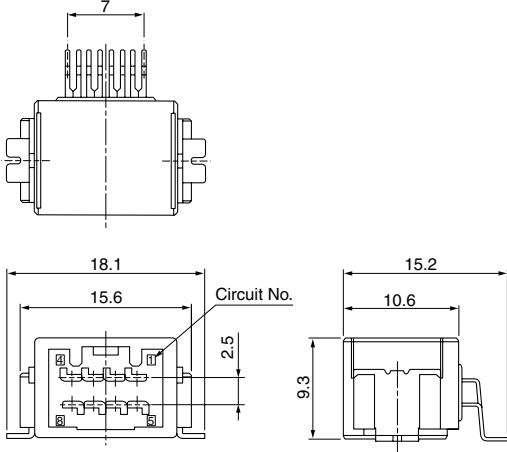
SM04B1-CPTK-1B-TB



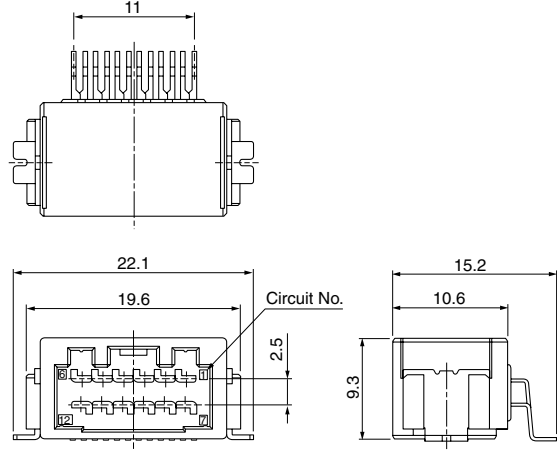
Male connector

Side entry type

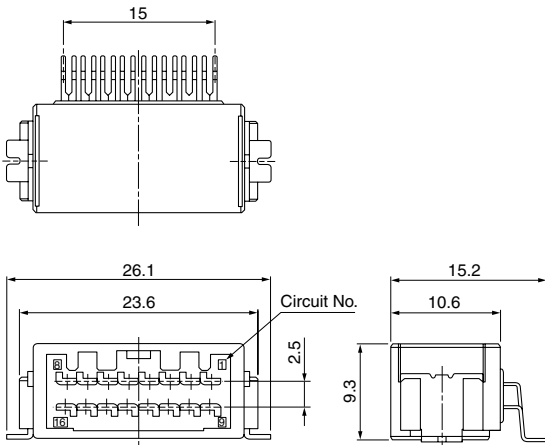
● 8 circuits



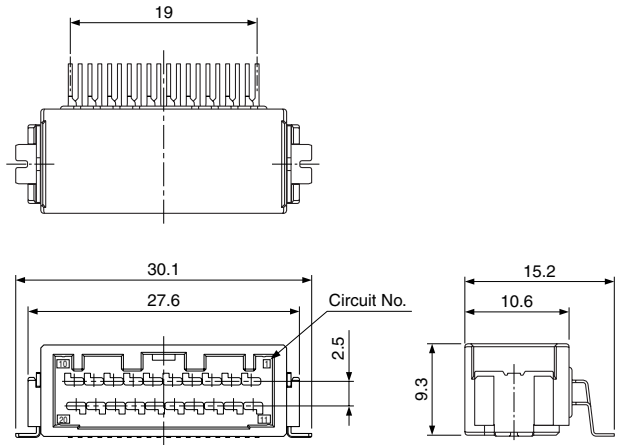
● 12 circuits



● 16 circuits



● 20 circuits



Type	Circuits	Model No.	Q'ty/reel
Top type	2	BM02B-CPTK-1A-TB	370
	8	BM08B-CPTK-1A-TB	240
Side type	2	SM02B-CPTK-1A-TB	500
	4	SM04B1-CPTK-1A-TB	500
		SM04B1-CPTK-1B-TB	
	8	SM08B-CPTK-1A-TB	390
	12	SM12B-CPTK-1A-TB	390
	16	SM16B-CPTK-1A-TB	390
	20	SM20B-CPTK-1A-TB	390

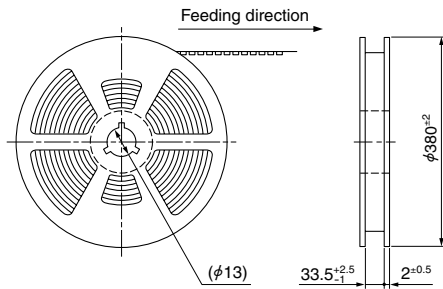
Material and Finish

Terminal: Copper alloy, nickel-undercoated,
 Contact area; gold-plated
 Solder tail; tin-plated (reflow treatment)
 Housing: Glass-filled LCP, black
 Peg: Brass, nickel-undercoated, tin-plated (reflow treatment)

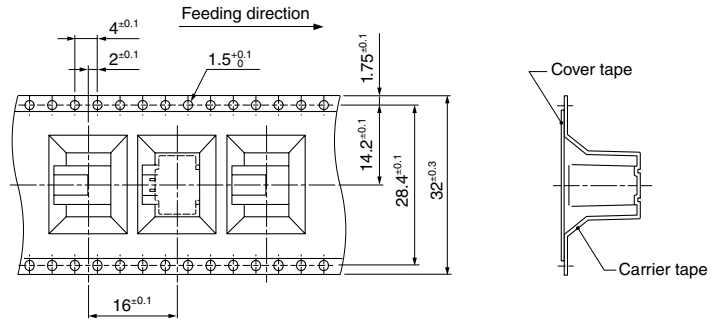
Taping Specifications

Top entry type

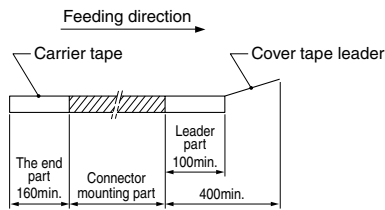
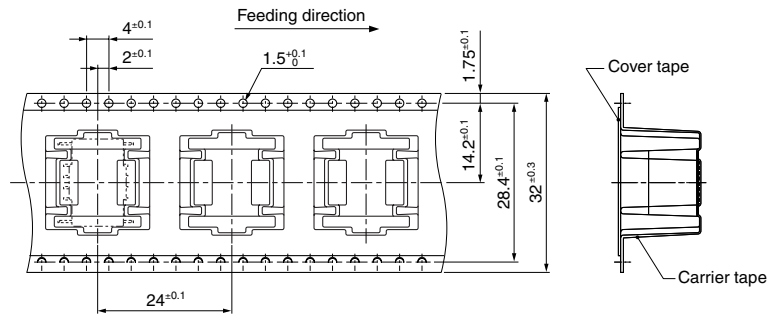
● 2, 8 circuits



● 2 circuits

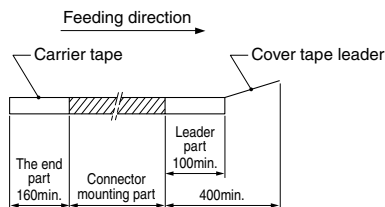
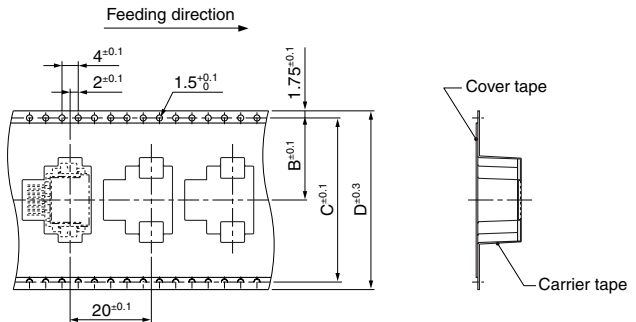
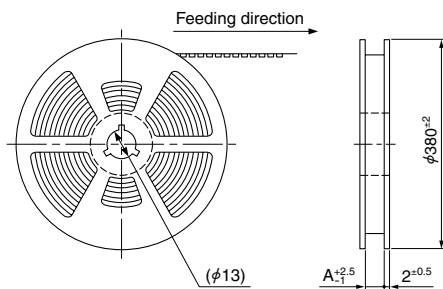


● 8 circuits



Side entry type

● 2, 4, 8, 12, 16, 20 circuits

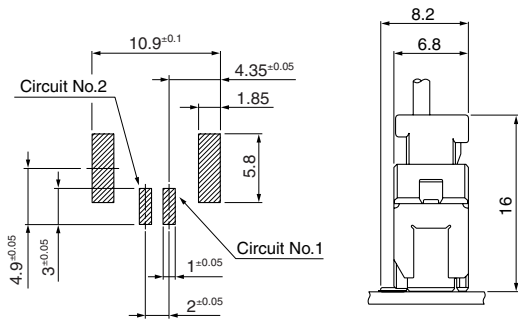


Circuits	A	B	C	D
2	33.5	14.2	28.4	32
4	33.5	14.2	28.4	32
8	45.5	20.2	40.4	44
12	45.5	20.2	40.4	44
16	45.5	20.2	40.4	44
20	45.5	20.2	40.4	44

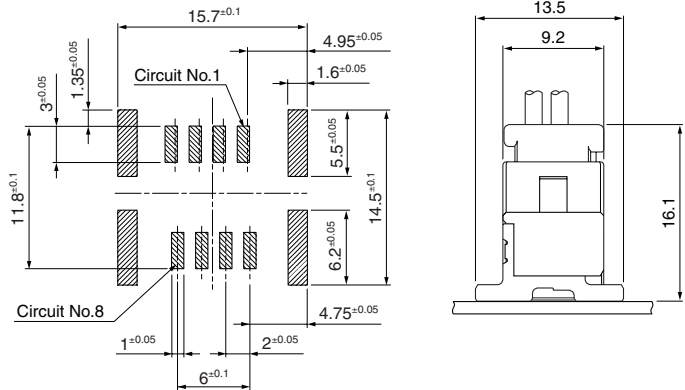
PC board layout, Assembly layout

Top entry type

● 2 circuits

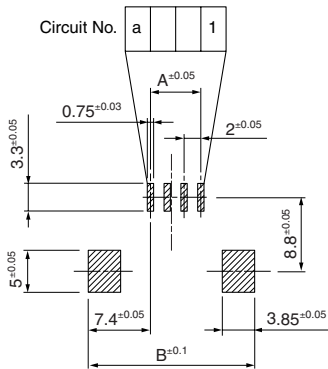
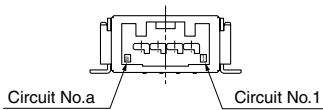


● 8 circuits



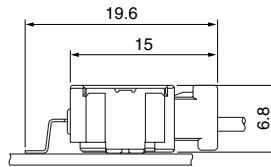
Side entry type

● 2, 4 circuits

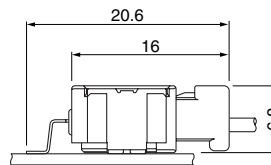


Circuits	A	B
2	2	15.8
4	6	19.8

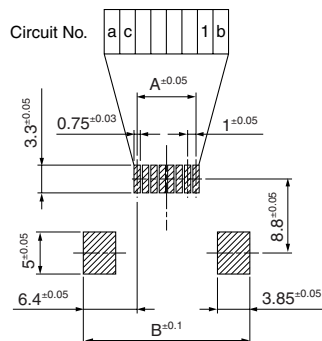
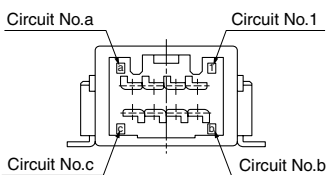
● 2 circuits



● 4 circuits

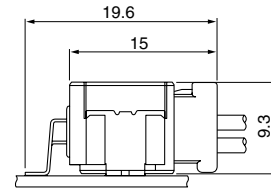


● 8, 12, 16, 20 circuits

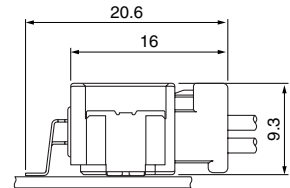


Circuits	A	B
8	7	19.8
12	11	23.8
16	15	27.8
20	19	31.8

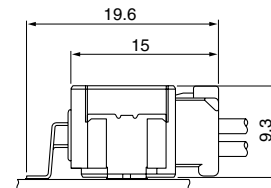
● 8 circuits



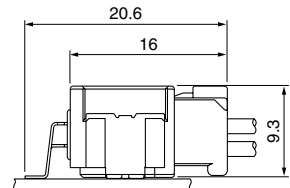
● 12 circuits



● 16 circuits



● 20 circuits

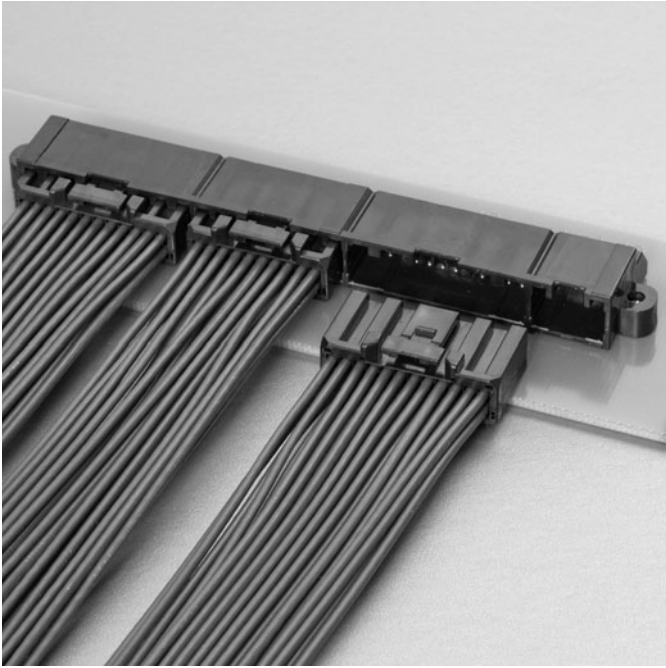


Note: 1. Tolerances are non-cumulative: ± 0.05 mm for all centers.
2. The dimensions above should serve as guideline. Contact JST for details.

Crimping machine, Applicator

Strip terminal	Crimping machine	Crimp applicator MKS-L	
		Dies	Crimp applicator with dies
SCPT-A021GF-0.5	AP-K2N	MK/SCPT-A021-05	APLMK SCPT-A021-05

Note: When crimping operation is conducted using an applicator and die set other than the above, JST cannot guarantee the performance of the terminal.



Features

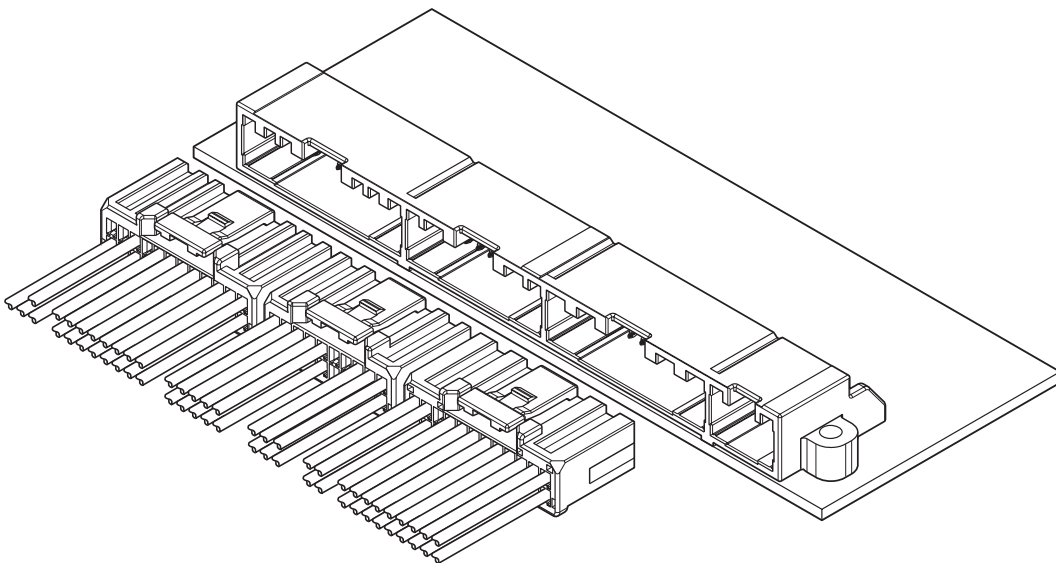
● Multi-circuit and Compact design

Although this connector is multi-circuit, the miniaturization and low profile are realized by unification of frontage and 2.0mm pitch.

● Terminal construction

By having given a spring structure to the male terminal, the female terminal can be made into a simple box shape structure.

Developed in pursuit of multi-circuit, miniaturization and low profile as PC board connector for automobile.
This connector is dip type connector having the spring structure on male terminal.

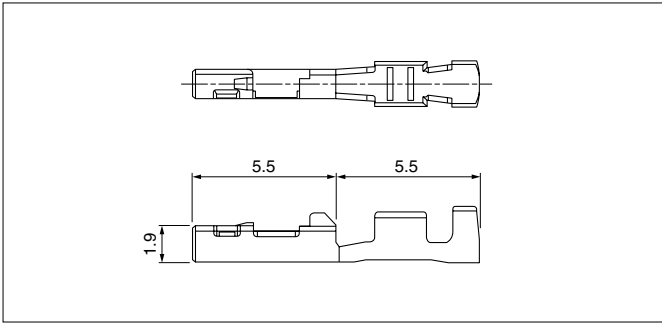


Specifications

- Current rating: 3A AC, DC (0.3mm², Single circuit)
- Voltage rating: 50V AC, DC
- Temperature range: -40°C to +100°C
(including temperature rise in applying electrical current)
- Contact resistance: Initial value/8mΩ max.
After environmental testing/16mΩ max.
- Insulation resistance: 100MΩ min.
- Withstanding voltage: 1,000V AC/minute
- Applicable wire: AESSX-f/ AVSS
0.3mm² (AWG#22)

- * Compliant with ELV/RoHS.
- * Contact JST for details.

Female terminal



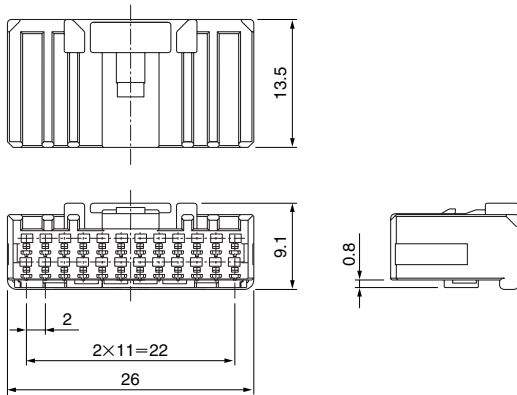
Model No.	Applicable wire range		Q'ty/reel
	Conductor (mm ²)	Insulation O.D. (mm)	
SCPT-A021GF-0.5	0.3	1.4	15,000

Material and Finish

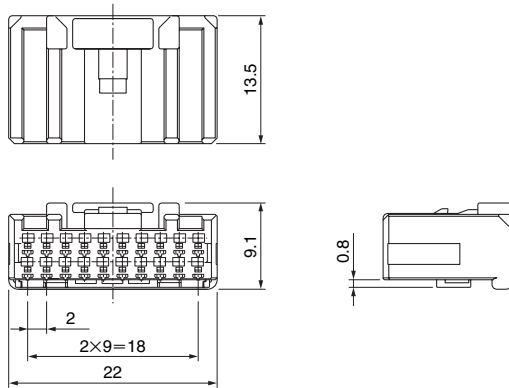
Brass, nickel-undercoated, Contact area; gold-plated
Barrel area; tin-plated

Female connector

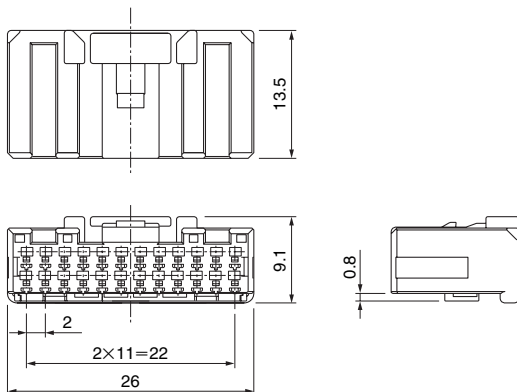
A Block



B Block



C Block



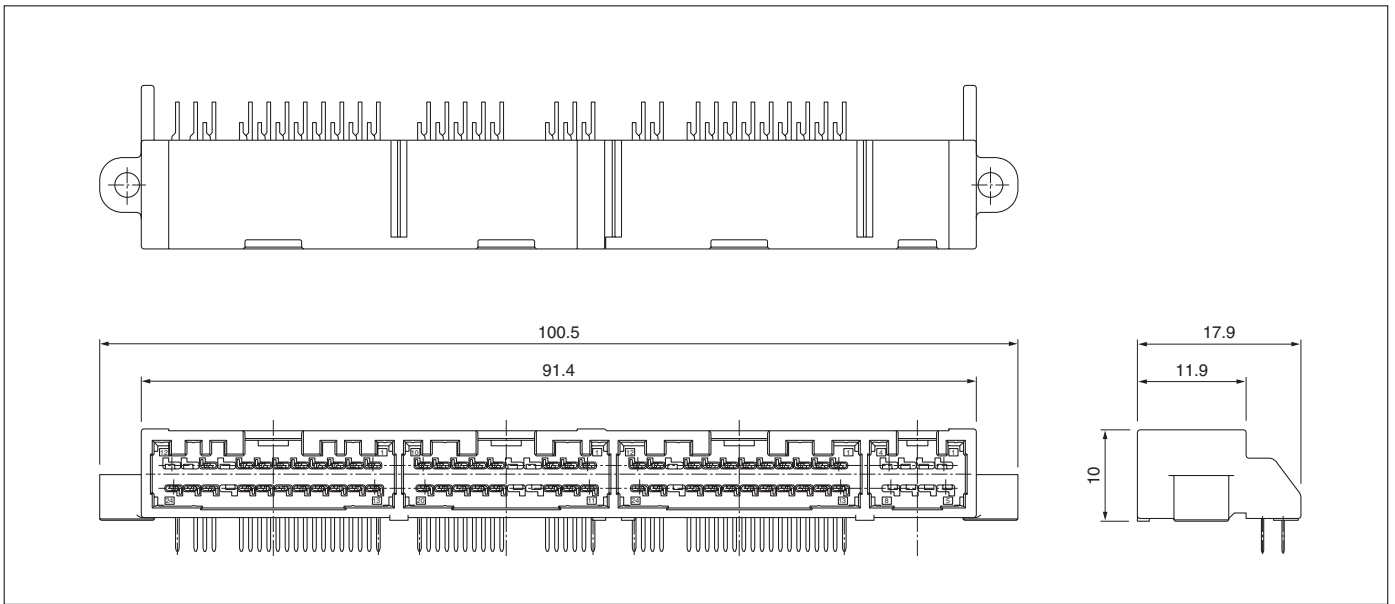
Type	Circuits	Model No.	Q'ty/box
A Block	24	24CPT-B-2B	200
B Block	20	20CPT-B-2A	250
C Block	20	24CPT-B-2A	200

Material

Housing: Glass-filled PBT, black
Retainer: Glass-filled PBT, blue

CPI CONNECTOR

Male connector

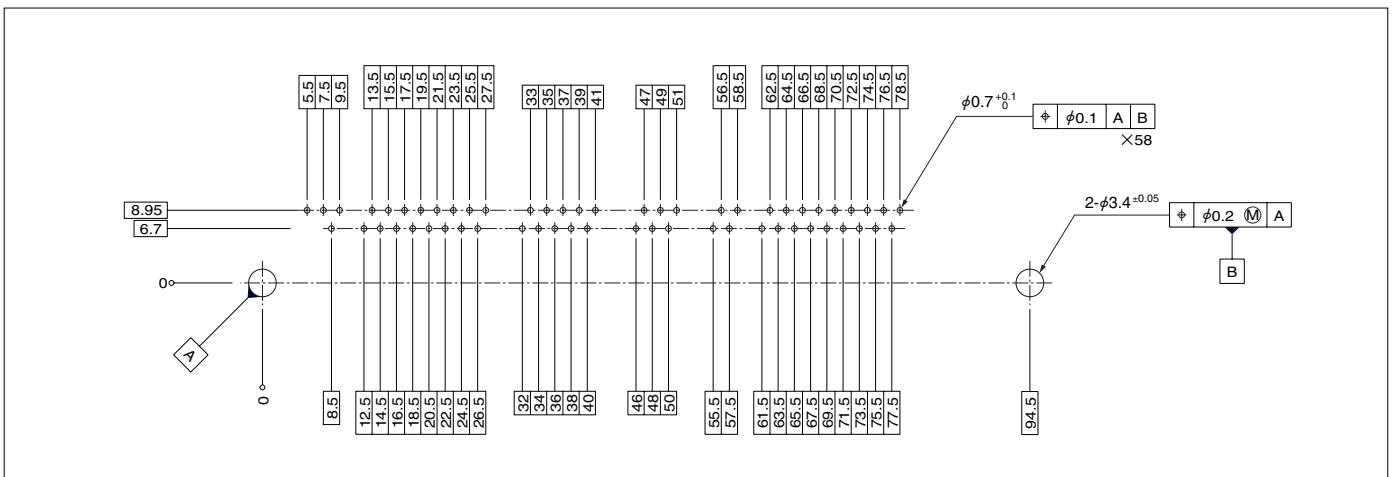


Circuits	Model No.	Q'ty/box
58	S58-CPIK-1A (M)	450

Material and Finish

Terminal: Copper alloy, nickel-undercoated,
 Contact area; gold-plated
 Solder tail; tin-plated (reflow treatment)
 Housing: Glass-filled SPS, black

PC board layout

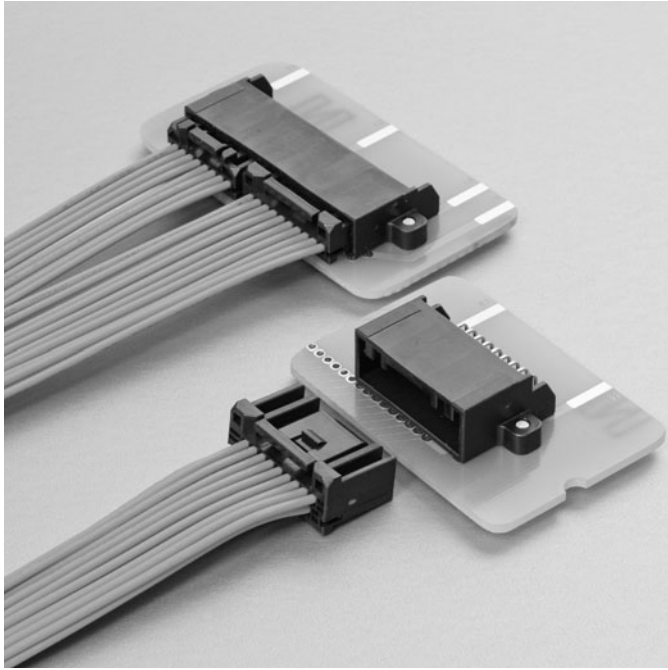


- Note: 1. Tolerances are non-cumulative.
 2. Hole dimensions differ according to the type of PC board and piercing method.
 The dimensions above should serve as guideline. Contact JST for details.

Crimping machine, Applicator

Strip terminal	Crimping machine	Crimp applicator MKS-L	
		Dies	Crimp applicator with dies
SCPT-A021GF-0.5	AP-K2N	MK/SCPT-A021-05	APLMK SCPT-A021-05

Note: When crimping operation is conducted using an applicator and die set other than the above, JST cannot guarantee the performance of the terminal.

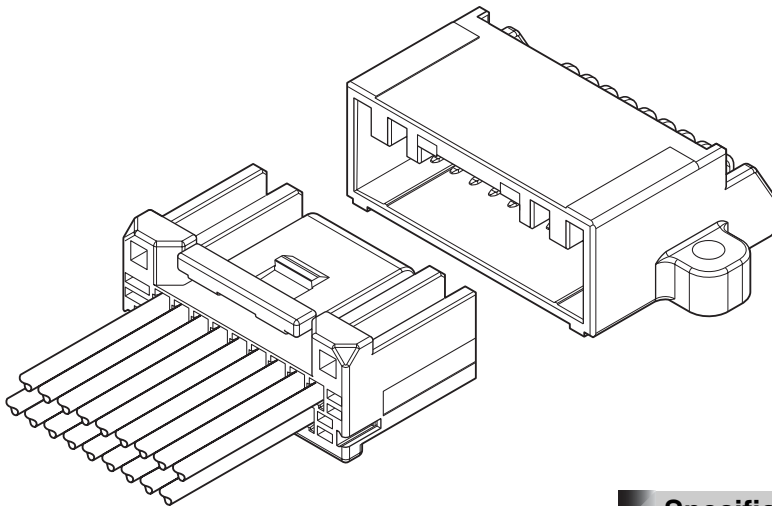


Features

● Miniaturization and Low profile

0.50 terminal with 2.0mm wide and 2.5mm long pitch is realized miniaturization and low profile.

Developed in pursuit of miniaturization and low profile as surface mounting type connector for automotive.
0.50 terminal with 2.0mm pitch realized miniaturization.

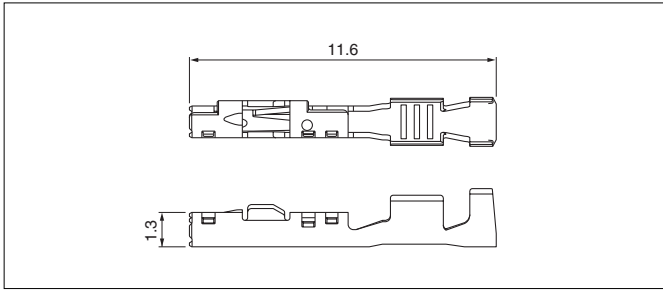


Specifications

- Current rating: 1A AC, DC (0.3mm²)
- Voltage rating: 14V AC, DC
- Temperature range: -40°C to +125°C
(including temperature rise in applying electrical current)
- Contact resistance: Initial value/10mΩ max.
After environmental testing/30mΩ max.
- Insulation resistance: 100MΩ min.
- Withstanding voltage: 1,000V AC/minute
- Applicable wire: AESSX 0.3mm², AWG #22
(Insulation O.D. φ1.5mm max.)

- * Compliant with ELV/RoHS.
- * Contact JST for details.

Female terminal



Model No.	Applicable wire range		Q'ty/reel
	Conductor (mm ²)	Insulation O.D. (mm)	
SMEC-A021GF-M0.5	0.3	1.5 max.	10,000

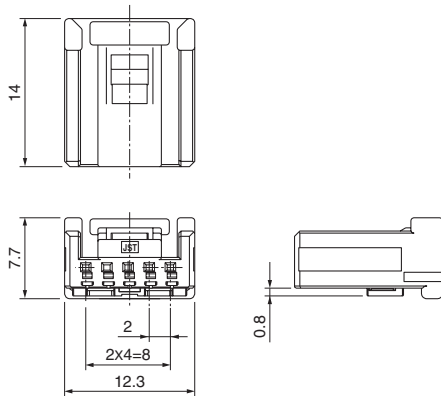
Material and Finish

Copper alloy, nickel-undercoated, Contact area; gold-plated
Barrel area; tin-plated

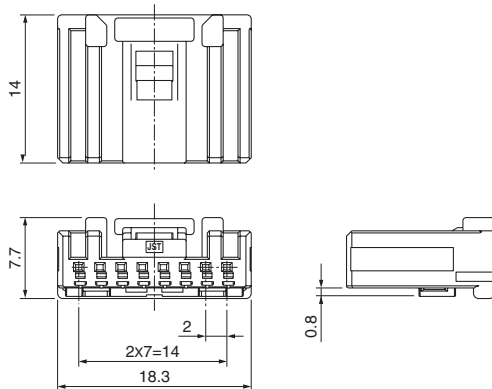
Female connector

Single row

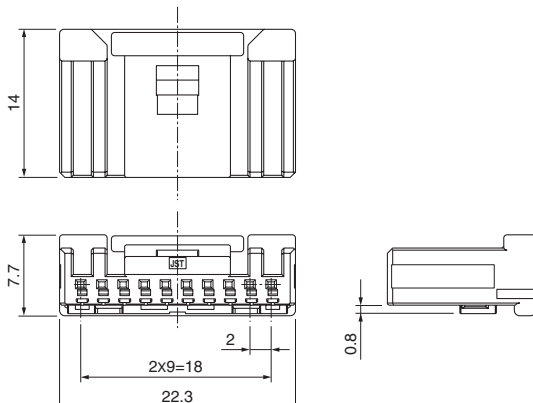
• 5 circuits



• 8 circuits

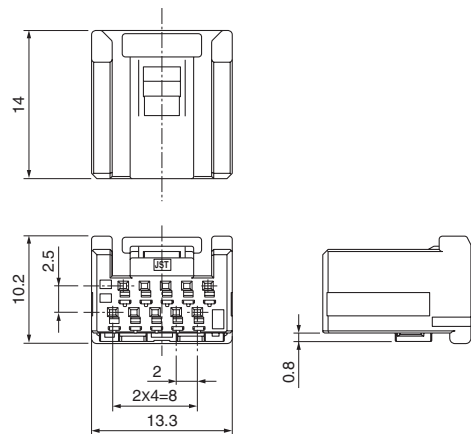


• 10 circuits

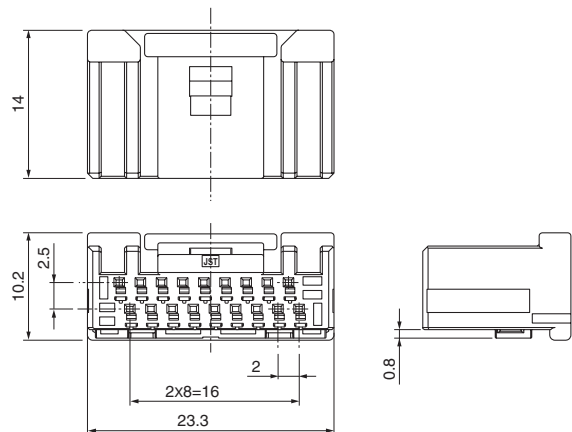


Double row

• 10 circuits



• 18 circuits



Type	Circuits	Model No.	Q'ty/box
Single row	5	05MEC-B-1A	400
	8	08MEC-B-1A	300
	10	10MEC-B-1A	200
Double row	10	10MEC-B-2A	250
	18	18MEC-B-2A	150

Material and Finish

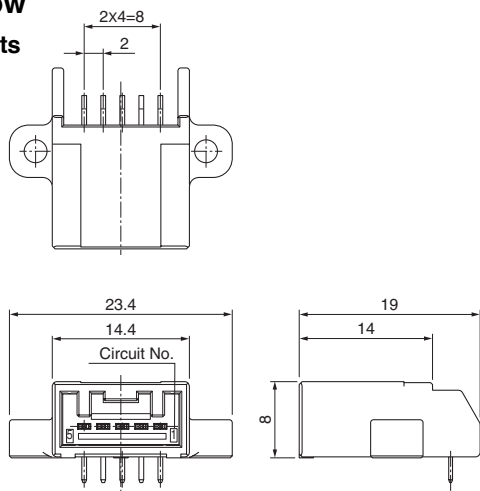
Female housing: Glass-filled PBT, black
Retainer: Glass-filled PBT, blue

MEC CONNECTOR

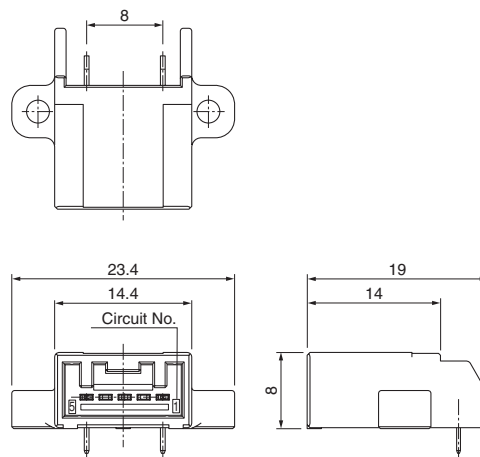
Male connector

Single row

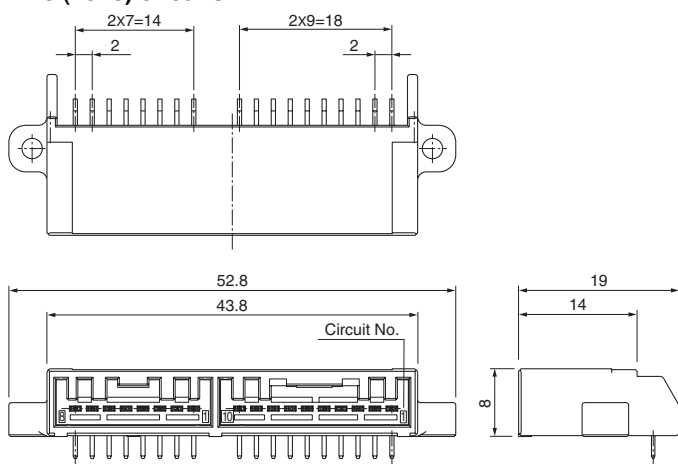
● 5 circuits



● 5 circuits (plugged up)

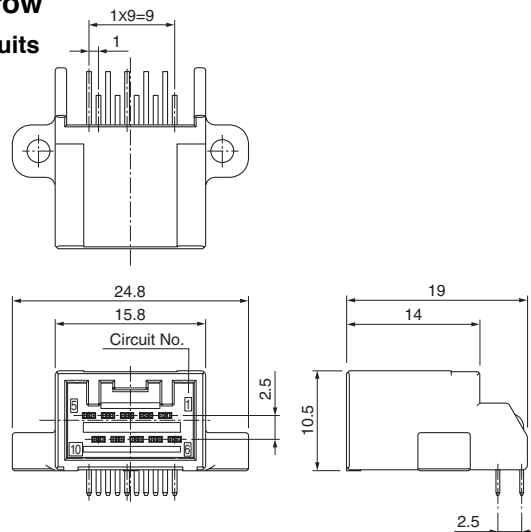


● 18 (10+8) circuits

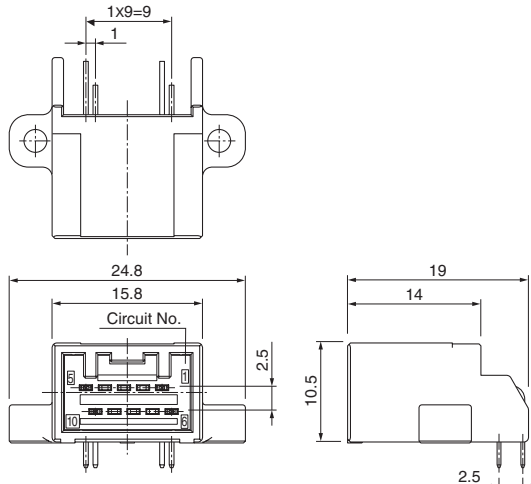


Double row

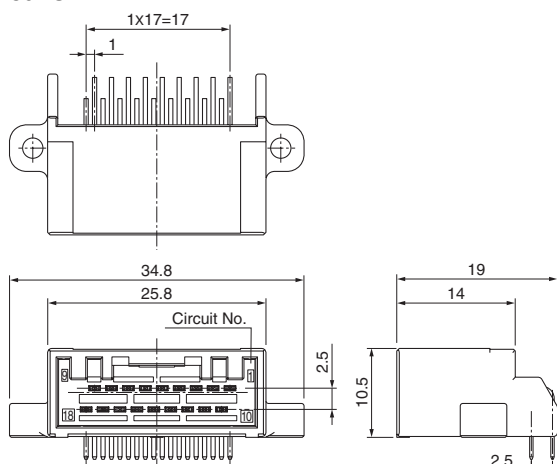
● 10 circuits



● 10 circuits (plugged up)



● 18 circuits



Type	Circuits	Model No.	Q'ty/box
Single row	5	S05B-MECK-1GA-A	700
	Note) 5	S05B-MECK-1GA-B	700
	18 (10+8)	S18B-MECK-1GA-A	350

Material and Finish

Male housing: Glass-filled PBT, black
 Male terminal: Copper alloy, nickel-undercoated,
 Contact area; gold-plated
 Barrel area; tin-plated (reflow treatment)

Type	Circuits	Model No.	Q'ty/box
Double row	10	S10B-MECK-2GA-A	504
	Note) 10	S10B-MECK-2GA-B	504
	18	S18B-MECK-2GA-A	392

Material and Finish

Male housing: Glass-filled PBT, black
 Male terminal: Copper alloy, nickel-undercoated,
 Contact area; gold-plated
 Barrel area; tin-plated (reflow treatment)

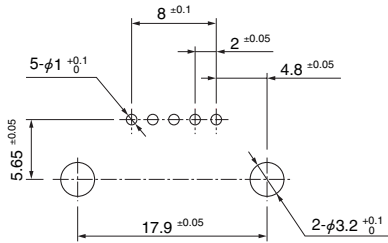
Note: Plugged up

Note: Plugged up

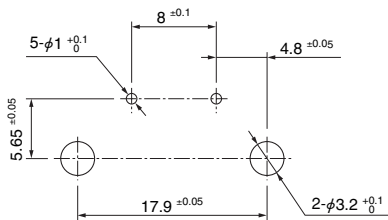
PC board layout, Assembly layout

Single row

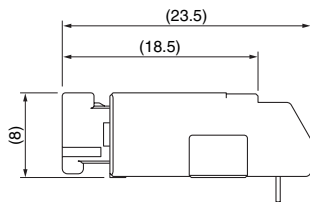
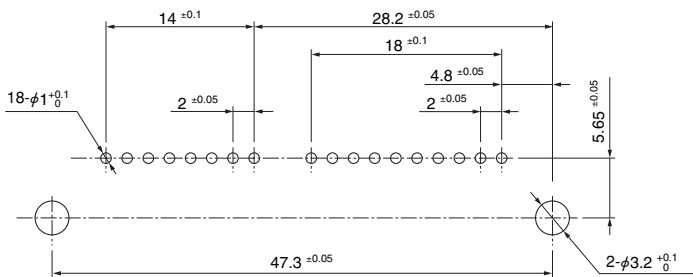
• 5 circuits



• 5 circuits (plugged up)

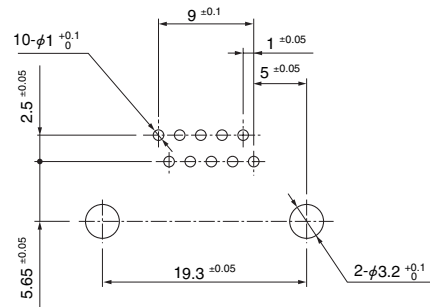


• 18 (10+8) circuits

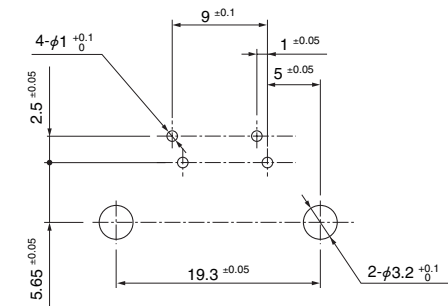


Double row

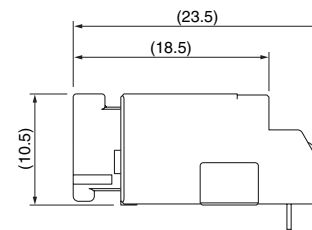
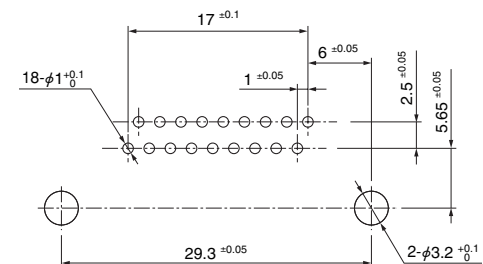
• 10 circuits



• 10 circuits (plugged up)



• 18 circuits

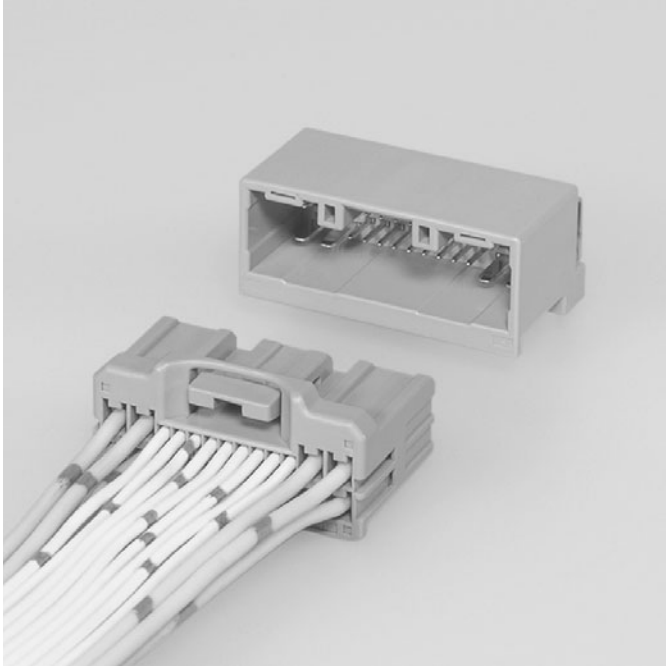


Note: 1. Tolerances are non-cumulative: $\pm 0.05\text{mm}$ for all centers.
 2. Hole dimensions differ according to the type of PC board and piercing method.
 The dimensions above should serve as guideline. Contact JST for details.

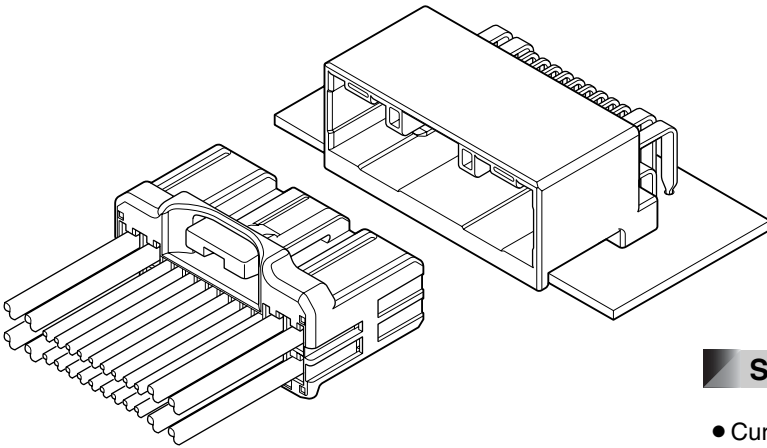
Crimping machine, Applicator

Strip terminal	Crimping machine	Crimp applicator MKS-L	
		Dies	Crimp applicator with dies
SMEC-A021GF-M0.5	AP-K2N	MK/SMEC-A021-05	APLMK SMEC-A021-05

Note: When crimping operation is conducted using an applicator and die set other than the above, JST cannot guarantee the performance of the terminal.



This connector is a small connector that can be widely used for the wiring for automotive electrical equipment. There are 2 kinds of connector for signal and hybrid type for signal and power supply.



Features

●High reliability

Using the tried and true terminal ensures high performance and high reliability.

The retainer (secondary lock) is provided for automobile, and reliability is improved.

●Variation

Many variations

●Diversity

It is hybrid structures of using 0.64 terminals for signal, and 2.3 terminals for power supply.

It is possible to correspond also to large current circuit.

Specifications (0.64 Terminal)

- Current rating: 5A AC, DC (0.5mm², Single circuit)
- Voltage rating: 50V AC, DC
- Temperature range: -40°C to +105°C
(including temperature rise in applying electrical current)
- Contact resistance: Initial value/8mΩ max.
After environmental testing/16mΩ max.
- Insulation resistance: 100MΩ min.
- Withstanding voltage: 1,000V AC/minute
- Applicable wire: AVSS/CAVS
0.64 Terminal S; 0.3mm² to 0.5mm²
CHFUS
0.64 Terminal SSS/SS; 0.13mm² to 0.35mm²

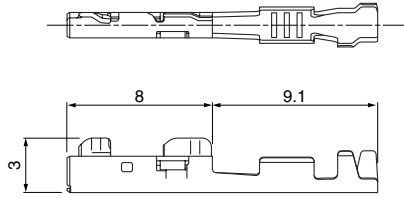
* Contact JST for 2.3II female terminal for power supply.

* Compliant with ELV/RoHS.

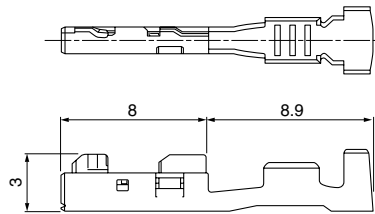
* Contact JST for details.

Female terminal

● 0.64 Female terminal SSS/SS



● 0.64 Female terminal S



Terminal	Model No.	Applicable wire range		Q'ty/reel
		Conductor (mm ²)	Insulation O.D. (mm)	
0.64 SSS	SNAC3-A001T-M0.64	0.13	0.85	6,000
0.64 SS	SNAC3-A011T-M0.64	0.22 to 0.35	0.95 to 1.10	5,000
0.64 S	SNAC3-A021T-M0.64	0.3 to 0.5	1.4 to 1.8	5,000

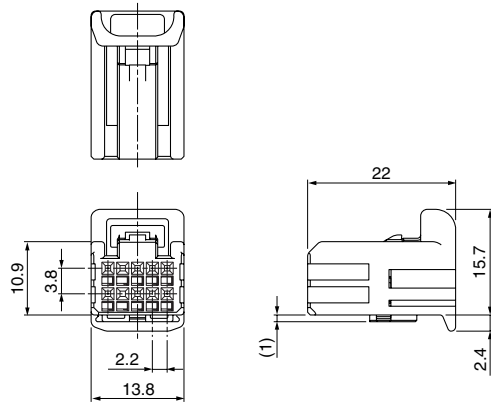
Material and Finish

Copper alloy, tin-plated (reflow treatment)

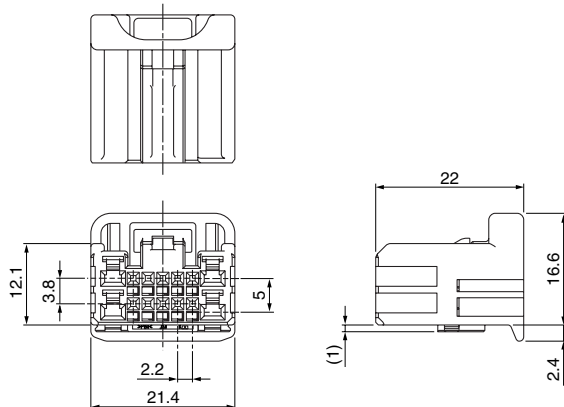
Note: Contact JST for 2.3II female terminal for power supply.

Female connector

● 10SHC-B-1A



● 14SHC-B-1A



Circuits	Model No.	Q'ty/box	Color	
			Housing	Retainer
10	10SHC-B-1A	1,800	Gray	Blue
14	14SHC-B-1A	1,200	Gray	Blue
24	24SHC-B-1A	720	Gray	Blue
26	26SHC-B-1A	600	Gray	Blue
	26SHC-B-2A	600	Black	Blue
32	32SHC-B-1A	600	Gray	Blue

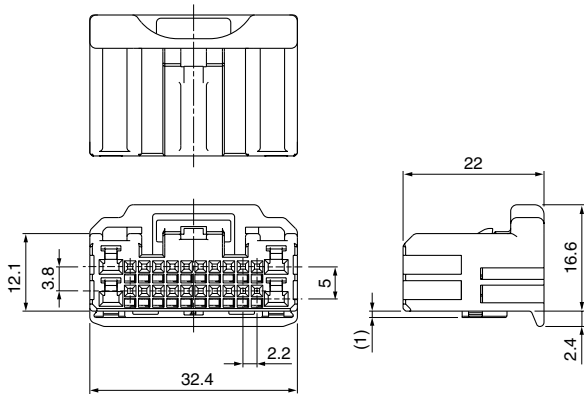
Material

Housing: PBT
Retainer: PBT

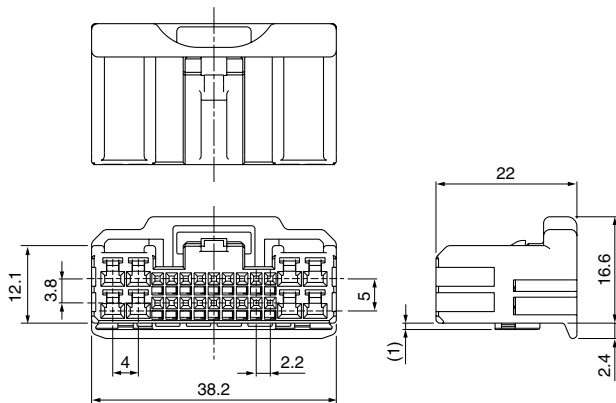
SHC CONNECTOR

Female connector

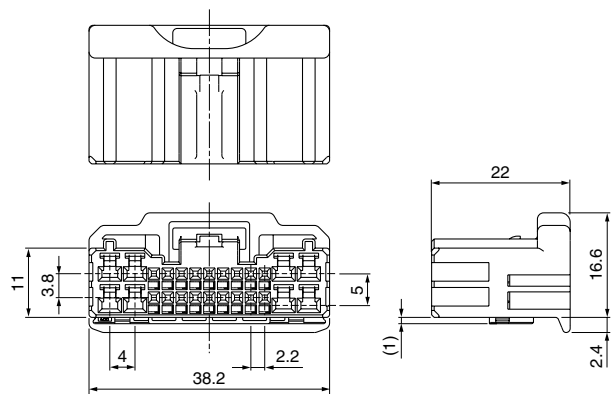
● 24SHC-B-1A



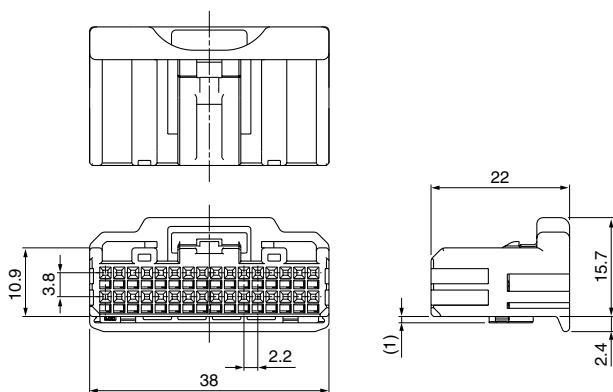
● 26SHC-B-1A



● 26SHC-B-2A

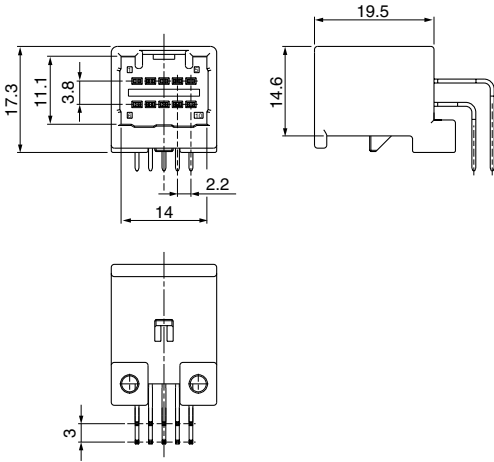


● 32SHC-B-1A

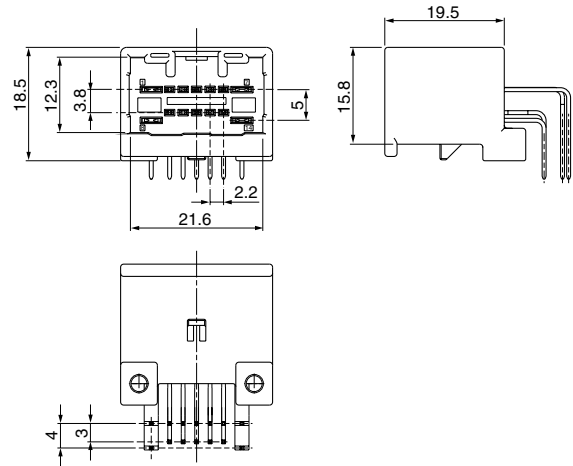


Male connector

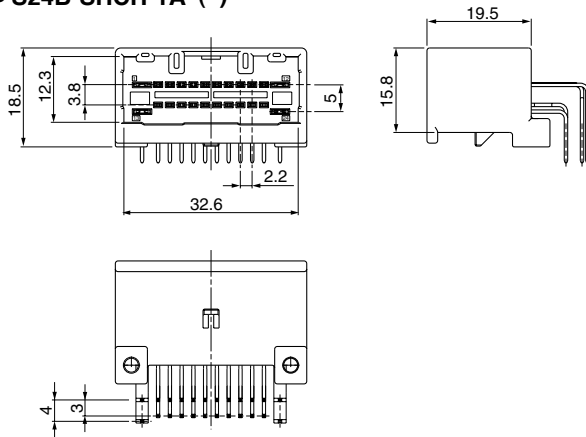
● S10B-SHCH-1A ()



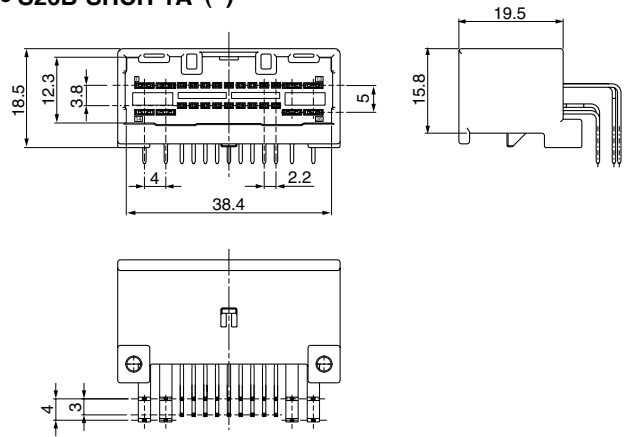
● S14B-SHCH-1A ()



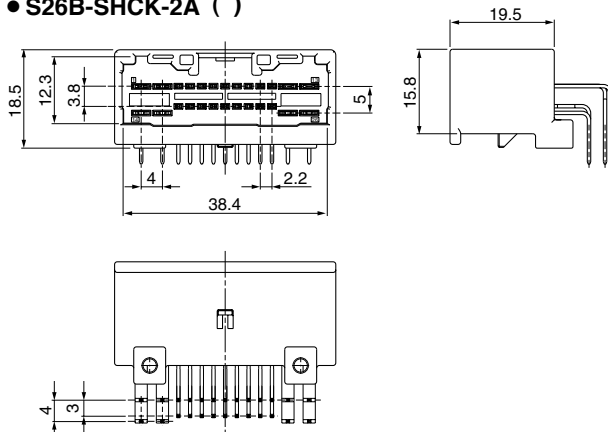
● S24B-SHCH-1A ()



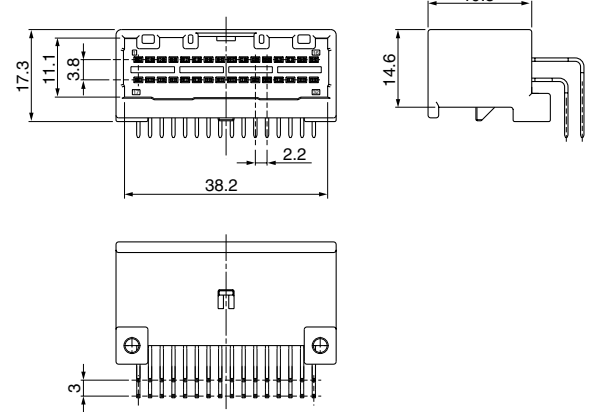
● S26B-SHCH-1A ()



● S26B-SHCK-2A ()



● S32B-SHCH-1A ()



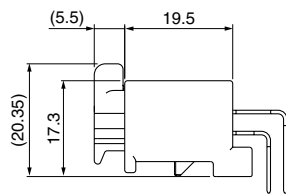
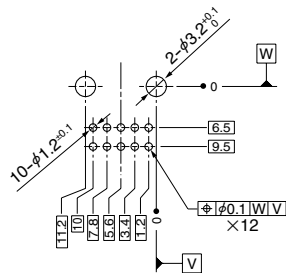
Circuits	Model No.		Color	Q'ty/box	
	Magazine stick	Tray packed		Magazine stick	Tray packed
10	S10B-SHCH-1A (M)	—	Gray	1,200	—
14	S14B-SHCH-1A (M)	S14B-SHCH-1A R	Gray	816	720
24	S24B-SHCH-1A (M)	S24B-SHCH-1A R	Gray	576	504
26	S26B-SHCH-1A (M)	S26B-SHCH-1A R	Gray	480	432
	S26B-SHCK-2A (M)	S26B-SHCK-2A R	Black	480	432
32	S32B-SHCH-1A (M)	S32B-SHCH-1A R	Gray	480	432

Material and Finish

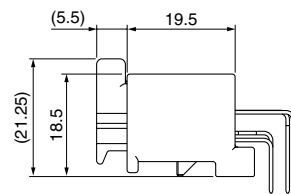
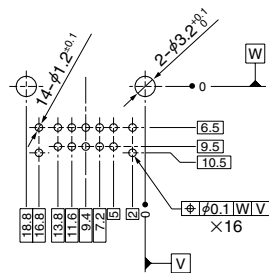
Housing: Glass-filled PBT
Male pin: Brass, nickel-undercoated, tin-plated (reflow treatment)

PC board layout, Assembly layout

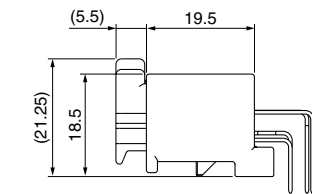
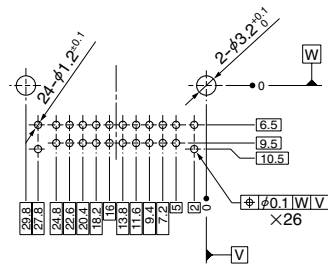
● S10B-SHCH-1A ()



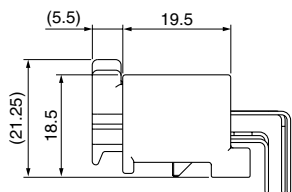
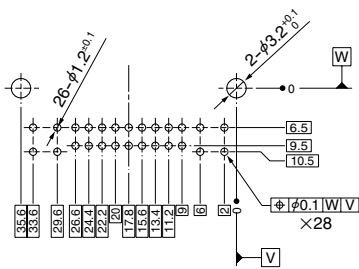
● S14B-SHCH-1A ()



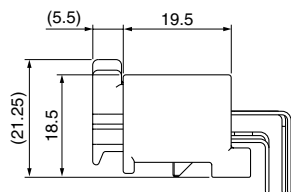
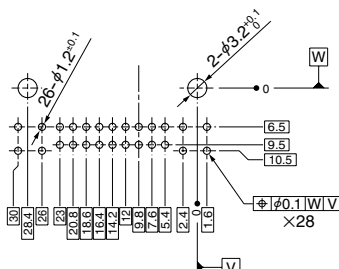
● S24B-SHCH-1A ()



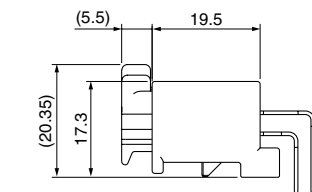
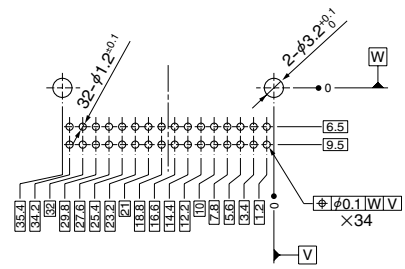
● S26B-SHCH-1A ()



● S26B-SHCK-2A ()



● S32B-SHCH-1A ()



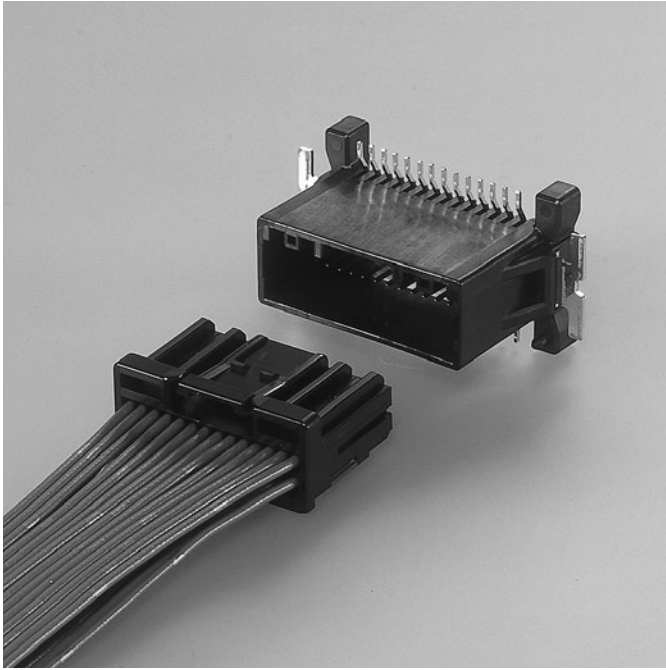
Crimping machine, Applicator, Hand crimp tool

Strip terminal	Crimping machine	Crimp applicator MKS-L		Hand crimp tool	Applicable wire
		Dies	Crimp applicator with dies		
SNAC3-A001T-M0.64	AP-K2N	MK/SNAC3-A001-064	APLMK SNAC3-A001-064	—	—
SNAC3-A011T-M0.64		MK/SNAC3-A011-064	APLMK SNAC3-A011-064	—	—
SNAC3-A021T-M0.64		MK/SNAC3-A021-064	APLMK SNAC3-A021-064	YRK-1003	AVSS0.5, CAVS0.5

Note: When crimping operation is conducted using an applicator and die set other than the above, JST cannot guarantee the performance of the terminal.

BMD CONNECTOR

Board-to-wire



Features

●High reliability

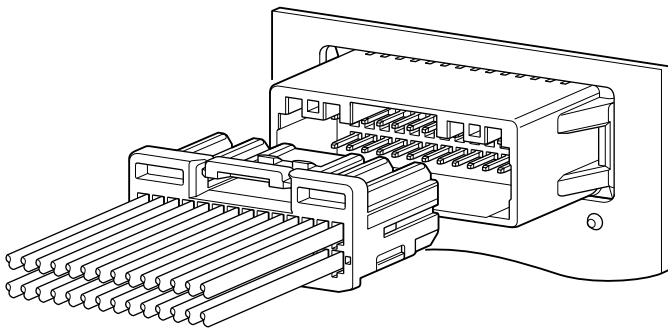
Using the tried and true terminal ensures high performance and high reliability.

The retainer (secondary lock) is provided for automobile, and reliability is improved.

●Surface mounting

Corresponding to the surface mounting, workability is improved.

Surface mounting type connector of bottom entry type developed for instruments for automobile.



Specifications

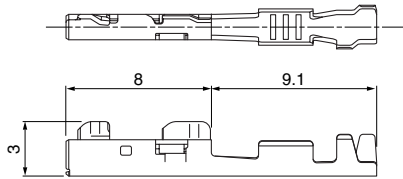
- Current rating: 5A AC, DC (0.5mm², Single circuit)
- Voltage rating: 50V AC, DC
- Temperature range: -30°C to +105°C
(including temperature rise in applying electrical current)
- Contact resistance: Initial value/8mΩ max.
After environmental testing/16mΩ max.
- Insulation resistance: 100MΩ min.
- Withstanding voltage: 1,000V AC/minute
- Applicable wire: AVSS/CAVS
0.64 Terminal S; 0.3mm² to 0.5mm²
CHFUS
0.64 Terminal SSS/SS; 0.13mm² to 0.35mm²

* Compliant with ELV/RoHS.

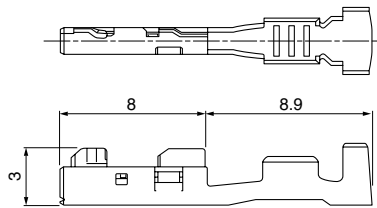
* Contact JST for details.

Female terminal

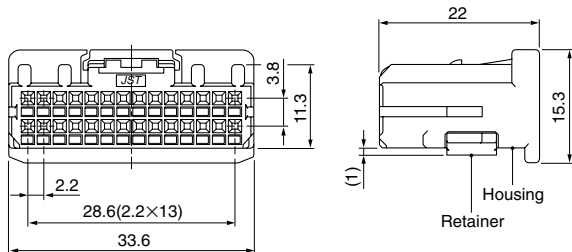
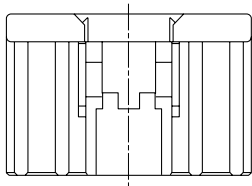
● 0.64 Female terminal SSS/SS



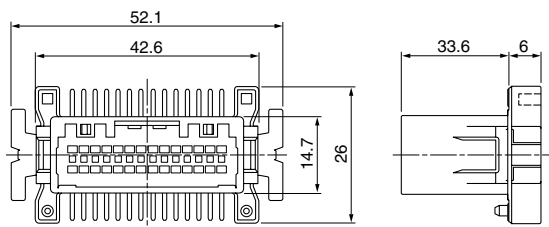
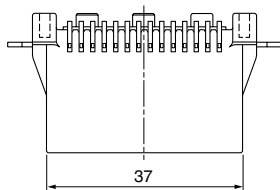
● 0.64 Female terminal S



Female connector



Male connector



Terminal	Model No.	Applicable wire range		Q'ty/reel
		Conductor (mm ²)	Insulation O.D. (mm)	
0.64 SSS	SNAC3-A001T-M0.64	0.13	0.85	6,000
0.64 SS	SNAC3-A011T-M0.64	0.22 to 0.35	0.95 to 1.10	5,000
0.64 S	SNAC3-A021T-M0.64	0.3 to 0.5	1.4 to 1.8	5,000

Material and Finish

Copper alloy, tin-plated (reflow treatment)

Note: Contact JST for 2.3II female terminal for power supply.

Circuits	Model No.	Q'ty/box
28	28BMD-B-01A	130

Material

Housing: PBT, black
Retainer: PBT, blue

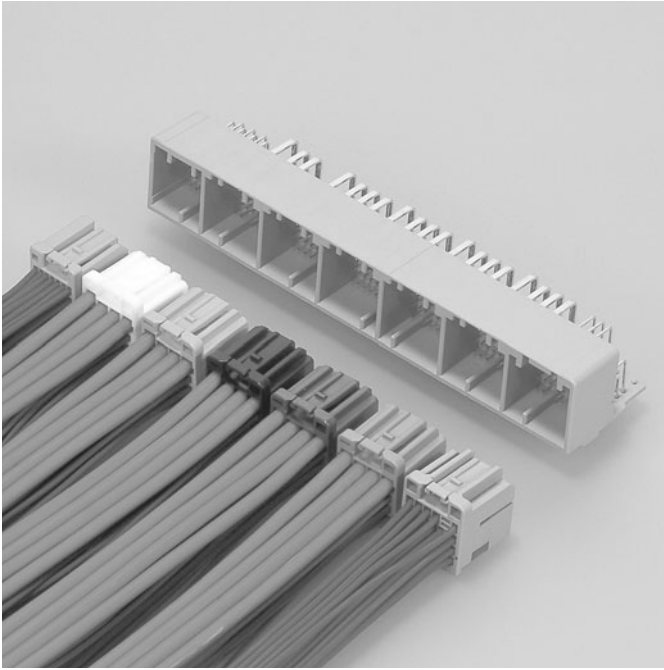
Circuits	Model No.	Q'ty/box
28	EM28B-BMDK-01A (M)	252

Material and Finish

Pin: Brass, nickel-undercoated, tin-plated (reflow treatment)
Housing: Glass-filled PPS, black
Peg: Brass, nickel-undercoated, tin-plated (reflow treatment)

HIT CONNECTOR

Board-to-wire



The HIT connector is multi-circuit and miniaturized for ECU for the automobile.
Female connector is divided into seven housings, and considers the ergonomics and workability.

Features

●Multi-circuit structure, Miniaturized

Current products available are up to 180-circuit. Although this connector is multi-circuit, it was miniaturized by narrow pitch. The insertion force in the mating operation of one time is decreased by block division structure.

●Reliability

It conforms to the automotive performance evaluation standard.

●Diversity

It is hybrid structures of using 0.64mm and 2.8mm terminals. Large current circuit is also available.

Specifications

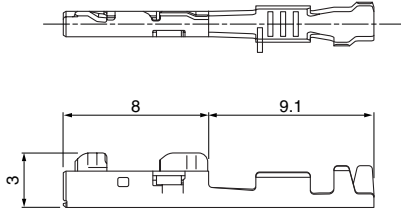
- Current rating: 0.64 Terminal; 5A AC, DC (0.5mm², Single circuit)
2.8 Terminal; 25A AC, DC (5mm², Single circuit)
- Voltage rating: 14V AC, DC
- Temperature range: -40°C to +100°C
(including temperature rise in applying electrical current)
- Contact resistance: 0.64 Terminal;
Initial value/20mΩ max.
After environmental testing/20mΩ max.
2.8 Terminal;
Initial value/5mΩ max.
After environmental testing/5mΩ max.
- Insulation resistance: 20MΩ min.
- Withstanding voltage: 1,000V AC/minute
- Applicable wire: TXL/ AVSS/ CAVS
0.64 Terminal S/M; 0.3mm² to 0.85mm²
2.8 Terminal S/M/L; 0.85mm² to 5.0mm²
CHFUS
0.64 Terminal SSS/SS; 0.13mm² to 0.35mm²

* Compliant with ELV/RoHS.

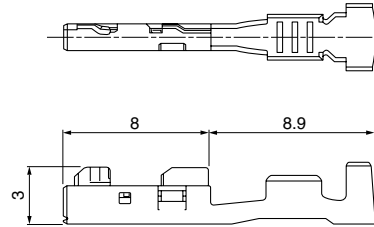
* Contact JST for details.

Female terminal

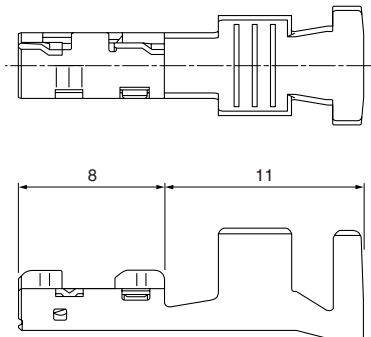
• 0.64 Female terminal SSS/SS



• 0.64 Female terminal S/M



• 2.8 Female terminal S/M/L



Terminal	Model No.	Applicable wire range		Q'ty/reel
		Conductor (mm ²)	Insulation O.D. (mm)	
0.64 SSS	SNAC3-A001T-M0.64	0.13	0.85	6,000
0.64 SS	SNAC3-A011T-M0.64	0.22 to 0.35	0.95 to 1.10	5,000
0.64S	SNAC3-A021T-M0.64	0.3 to 0.5	1.4 to 1.8	5,000
0.64M	SNAC3-A031T-M0.64	0.5 to 0.85	1.8 to 2.0	5,000
2.8S	SNAC-A061T-M2.8	0.85 to 1.3	2.0 to 2.3	3,000
2.8M	SNAC-A081T-M2.8	2.0 to 3.3	2.6 to 3.2	2,500
2.8L	SNAC-A091T-M2.8	3.0 to 5.0	3.2 to 4.0	2,000

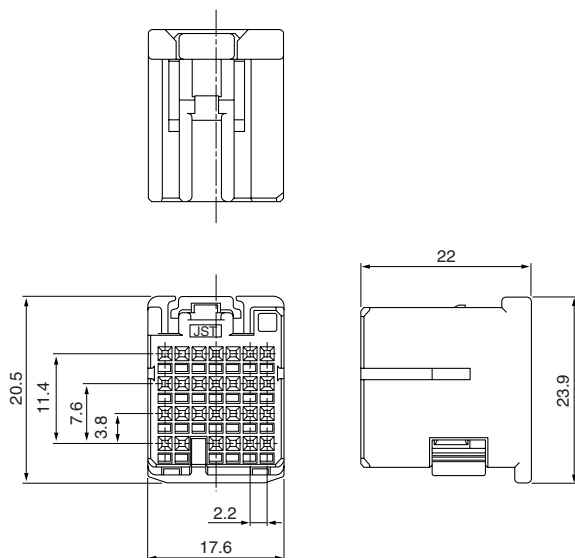
Material and Finish

Copper alloy, tin-plated (reflow treatment)

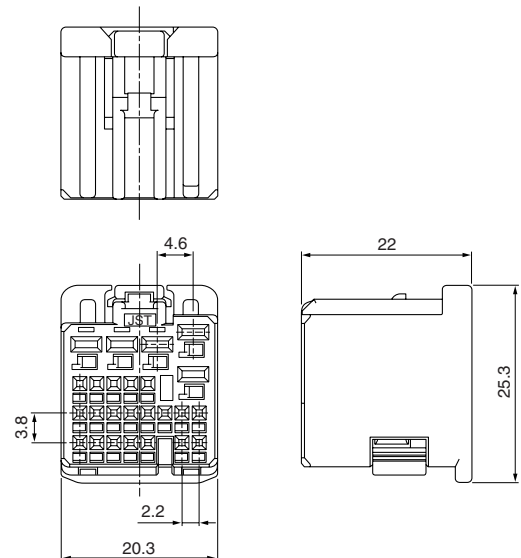
Note: Contact JST for 2.3II female terminal for power supply.

Female connector

• A Block

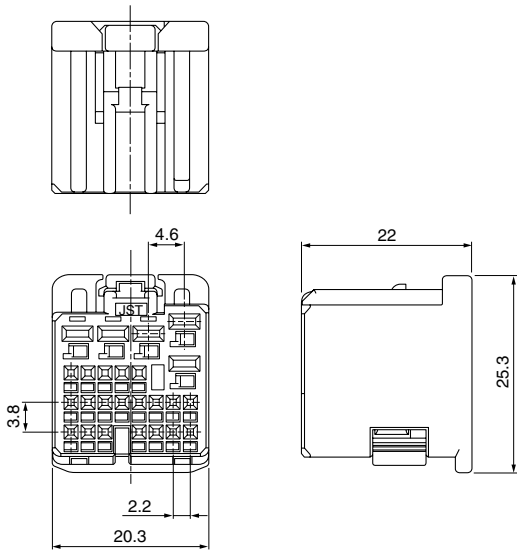


• B Block

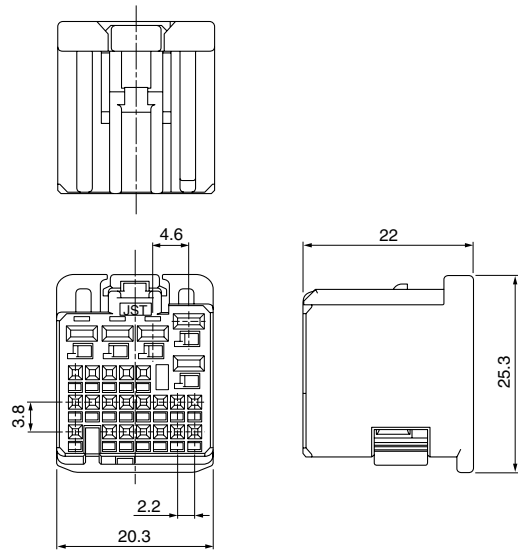


Female connector

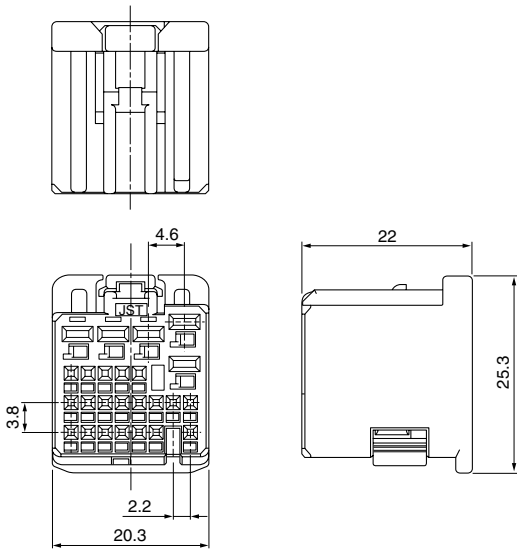
• C Block



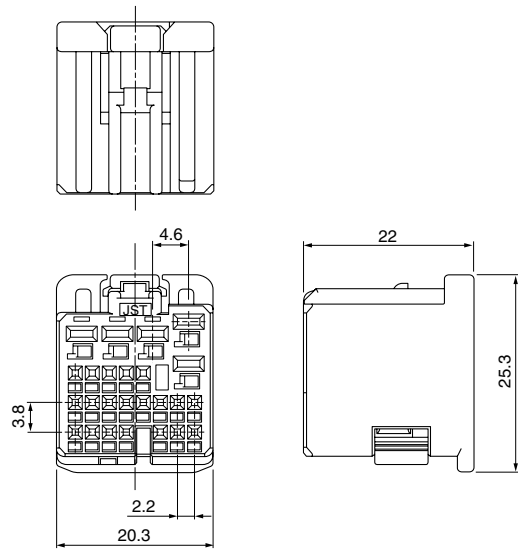
• D Block



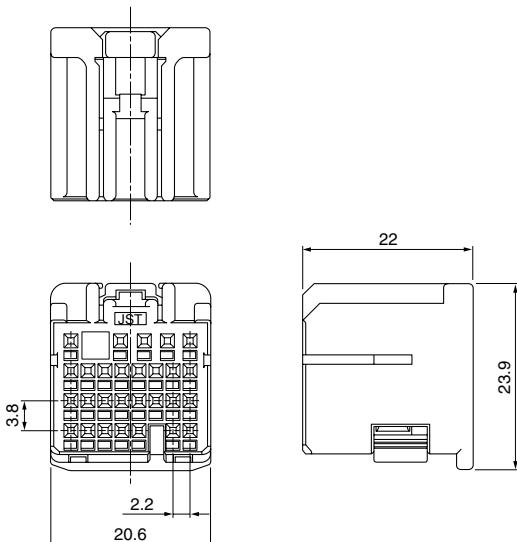
• E Block



• F Block



• G Block



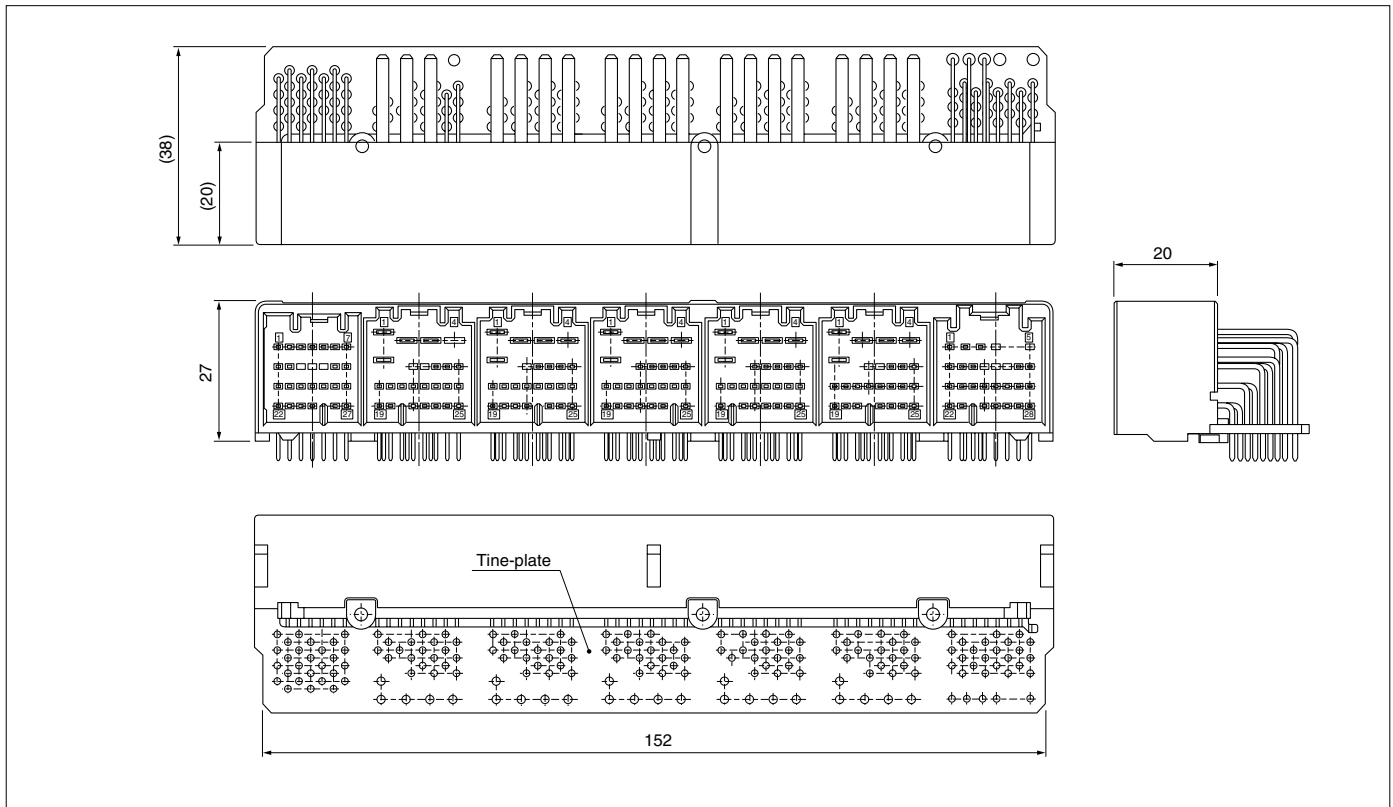
Type	Circuits	Model No.	Q'ty/box	Color	
				Housing	Retainer
A Block	27	HITPB-27-A-LM	96	Light green	Blue
B Block	25	HITPB-25-B-S	80	Natural (White)	Blue
C Block		HITPB-25-C-LE	80	Light blue	Blue
D Block		HITPB-25-D-K	80	Black	Blue
E Block		HITPB-25-E-N	80	Brown	Blue
F Block		HITPB-25-F-PK	80	Pink	Blue
G Block	28	HITPB-28-G-H	80	Gray	Blue

Material

Housing: PBT
Retainer: PBT

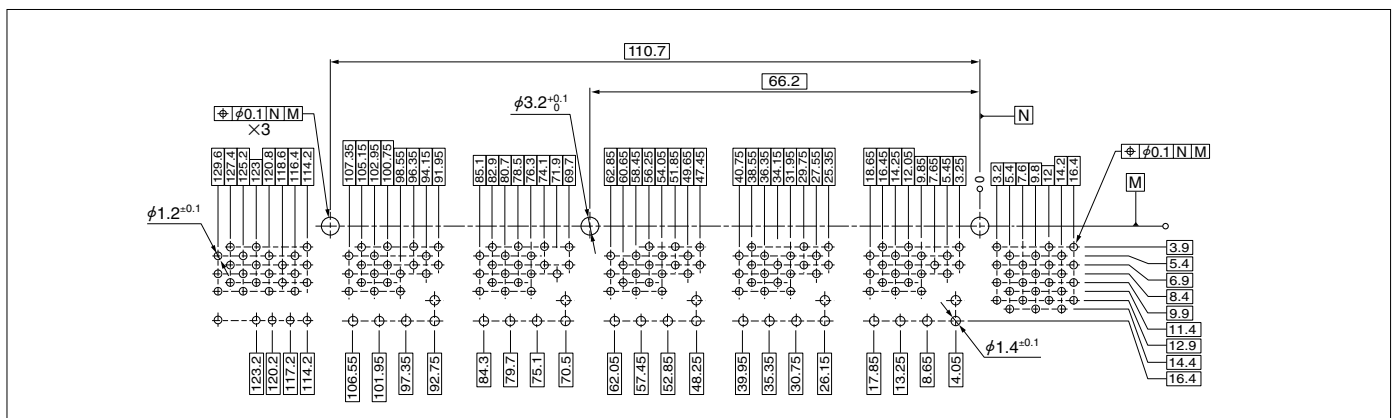
Note: Contact JST for other circuits.

Header



Circuits	Model No.	Q'ty/box
169	S169B-HITHTP-01A	105
Material and Finish		
Housing: Glass-filled PBT		
Tine-plate: Glass-filled PBT		
Signal pin: Brass, nickel-undercoated, tin-plated (reflow treatment)		
Power pin: Copper alloy, nickel-undercoated, tin-plated (reflow treatment)		

PC board layout



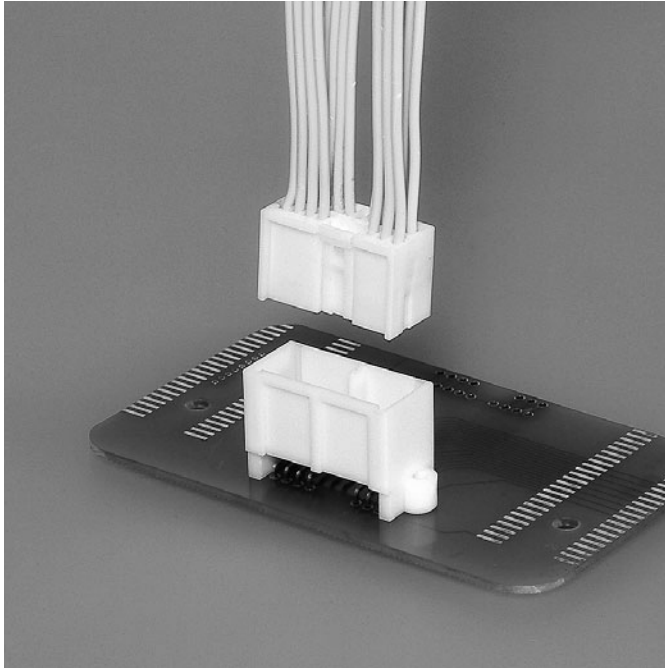
Crimping machine, Applicator, Hand crimp tool

Strip terminal	Crimping machine	Crimp applicator MKS-L		Hand crimp tool
		Dies	Crimp applicator with dies	
SNAC3-A001T-M0.64	AP-K2N	MK/SNAC3-A001-064	APLMK SNAC3-A001-064	—
SNAC3-A011T-M0.64		MK/SNAC3-A011-064	APLMK SNAC3-A011-064	—
SNAC3-A021T-M0.64		MK/SNAC3-A021-064	APLMK SNAC3-A021-064	YRK-1003
SNAC3-A031T-M0.64		MK/SNAC3-A031-064	APLMK SNAC3-A031-064	YRK-1012
SNAC-A061T-M2.8		MK/SNAC-A061-28	APLMK SNAC-A061-28	—
SNAC-A081T-M2.8		MK/SNAC-A081-28	APLMK SNAC-A081-28	—
SNAC-A091T-M2.8		MK/SNAC-A091-28	APLMK SNAC-A091-28	—

Note: When crimping operation is conducted using an applicator and die set other than the above, JST cannot guarantee the performance of the terminal.

MIO CONNECTOR

Board-to-wire



Low profile type connector for interface of automotive electrical equipment.

Features

●Low profile

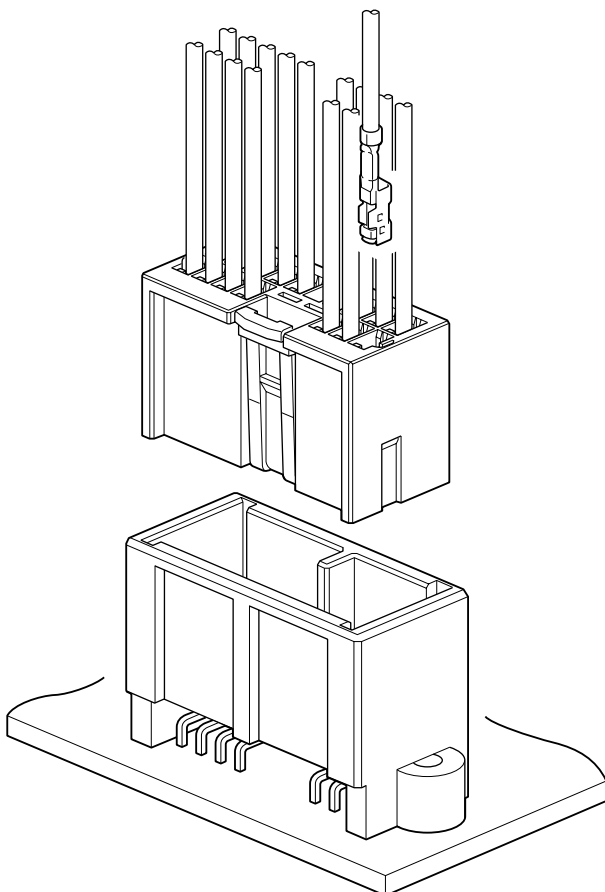
Using the short length female terminal, low profile is realized.

●Solder crack prevention configuration

Pin configuration of PC board side connector is designed for solder crack prevention.

●Reliability

Various ideas, such as prevention mechanism for excessive deformed female terminal, detection for incomplete inserted terminal by side retainer, improved terminal retention force, and the anti-misinsertion structure, are included in this connector.



Specifications

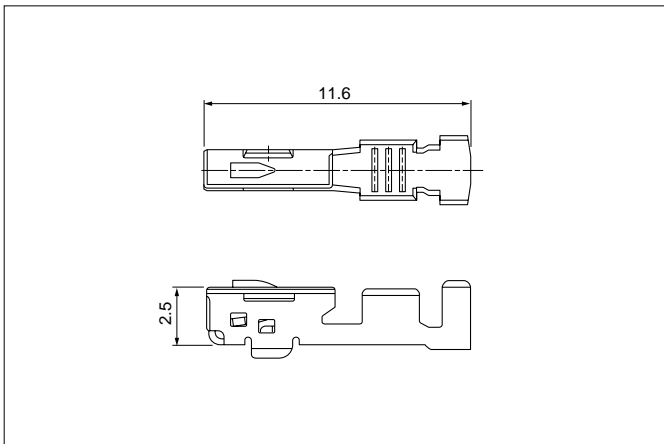
- Current rating: 5A AC, DC (0.5mm², Single circuit)
- Voltage rating: 12V AC, DC
- Temperature range: -40°C to +105°C
(including temperature rise in applying electrical current)
- Contact resistance: Initial value/5mΩ max.
After environmental testing/10mΩ max.
- Insulation resistance: 100MΩ min.
- Withstanding voltage: 1,000V AC/minute
- Applicable wire: SE/ AVSS/ CAVS
0.2mm²
0.3mm² to 0.5mm²

* Compliant with ELV/RoHS.

* Contact JST for details.

MIO CONNECTOR

Female terminal

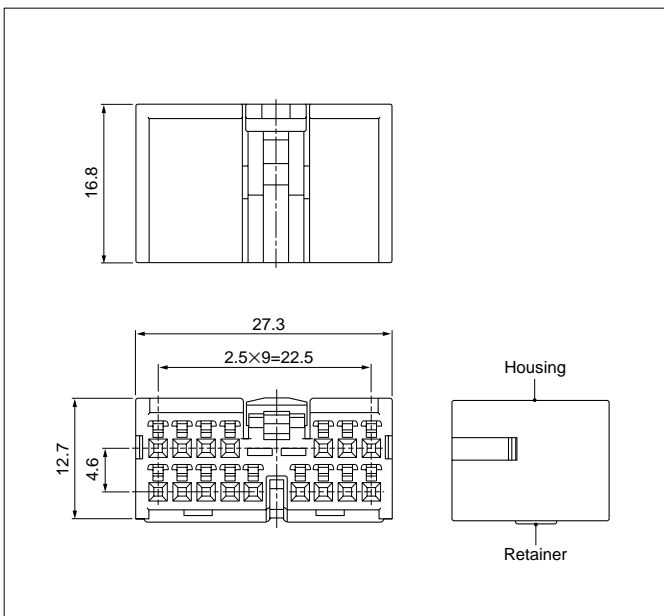


Model No.	Applicable wire range		Q'ty/reel
	Conductor (mm ²)	Insulation O.D. (mm)	
SHCM-A03T-P025	0.3 to 0.5	1.4 to 1.8	5,000
SHCM-A04T-P025	0.2	1.23	5,000

Material and Finish

Copper alloy, tin-plated (reflow treatment)

Female connector

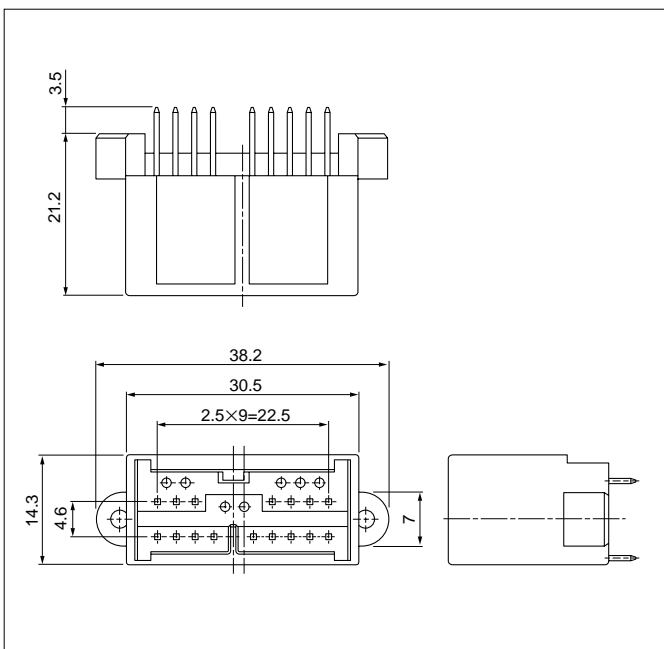


Circuits	Model No.	Q'ty/bag
16	MIOPB-16-SS	100

Material

Housing: PBT, natural (white)
Retainer: PBT, natural (white)

Header

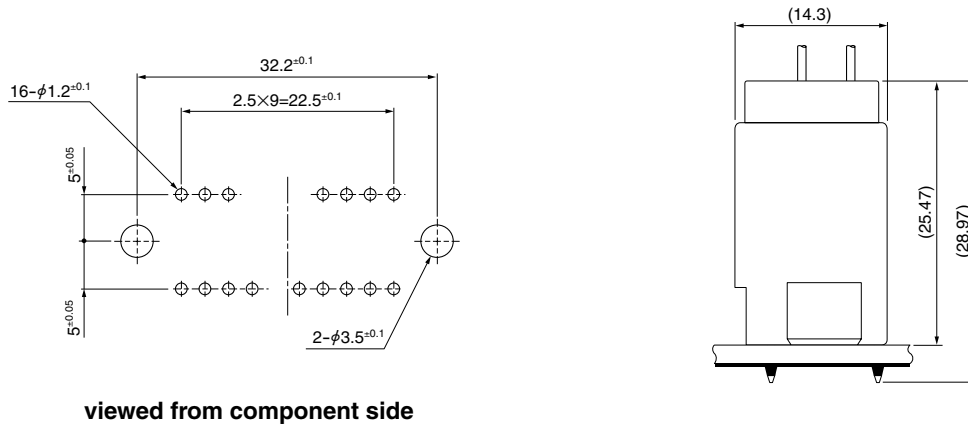


Circuits	Model No.	Q'ty/box
16	B16B-MIOS	80

Material and Finish

Pin: Brass, copper-undercoated, tin-plated (reflow treatment)
Housing: PBT, natural (white)

PC board layout, Assembly layout



Note: 1. Tolerances are non-cumulative: ±0.05mm for all centers.
 2. Hole dimensions differ according to the type of PC board and piercing method.
 The dimensions above should serve as guideline. Contact JST for details.

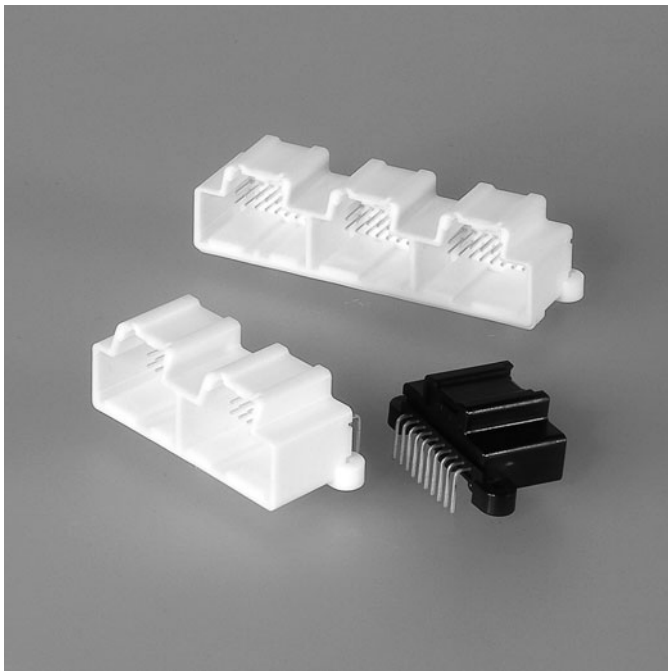
Crimping machine, Applicator

Strip terminal	Crimping machine	Crimp applicator MKS-L	
		Dies	Crimp applicator with dies
SHCM-A03T-P025	AP-K2N	MK/SHCM-A03-025	APLMK SHCM-A03-025
SHCM-A04T-P025		MK/SHCM-A04-025	APLMK SHCM-A04-025

Note: When crimping operation is conducted using an applicator and die set other than the above, JST cannot guarantee the performance of the terminal.

AIT CONNECTOR

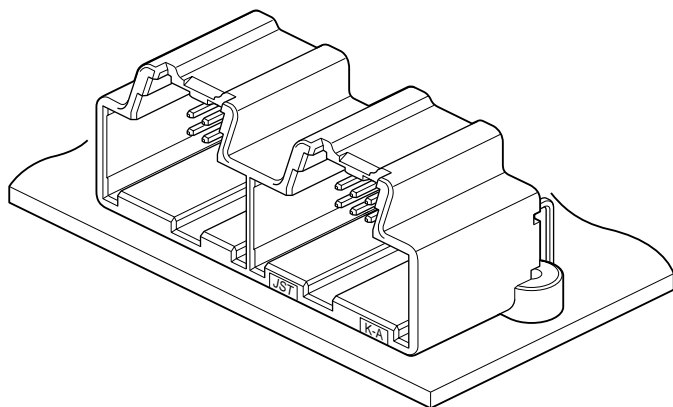
Board-to-wire/Wire-to-wire



0.64 unsealed connector series compliant with the standard USCAR footprints.
Variations of Keying / Color options and PC Board mounting features are available to satisfy customer's needs.

Features

- Compliant with the Standard 0.64 Unsealed USCAR Footprints and USCAR Performance Standards
- Variations in PCB mountings

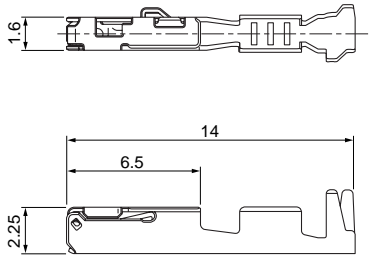


Specifications

- Current rating: 5A DC max.
- Voltage rating: 14V DC
- Temperature range: -40°C to +100°C
(including temperature rise in applying electrical current)
- Contact resistance: Initial value/15mΩ max.
After environmental testing/15mΩ max.
- Insulation resistance: 100MΩ min.
- Applicable Wire: SAE/ AVSS / CAVS
0.3mm² to 0.8mm²

- * Compliant with ELV/RoHS.
- * Contact JST for details.

Female terminal

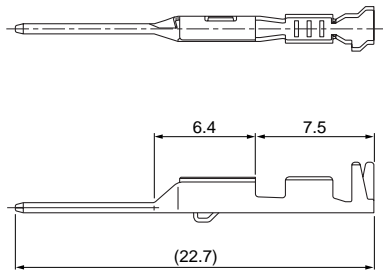


Size	Model No.	Applicable wire range		Q'ty/reel
		Conductor (mm ²)	Insulation O.D. (mm)	
S	①SAIT-A03T-M064	0.3 to 0.5	≤1.9	6,500
	②SAIT-A03GF-M064	0.3 to 0.5	≤1.9	6,500
M	①SAIT-A02T-M064	0.75 to 0.8	≤1.9	6,500
	②SAIT-A02GF-M064	0.75 to 0.8	≤1.9	6,500

Material and Finish

- ①Copper alloy, tin-plated (reflow treatment)
- ②Copper alloy, Contact area; gold-plated
Barrel area; tin-plated

Male terminal



Size	Model No.	Applicable wire range		Q'ty/reel
		Conductor (mm ²)	Insulation O.D. (mm)	
S	①SAITW-A03T-064	0.3 to 0.5	≤1.9	7,000
	②SAITW-A03GF-064	0.3 to 0.5	≤1.9	7,000
M	①SAITW-A02T-064	0.75 to 0.8	≤1.9	7,000
	②SAITW-A02GF-064	0.75 to 0.8	≤1.9	7,000

Material and Finish

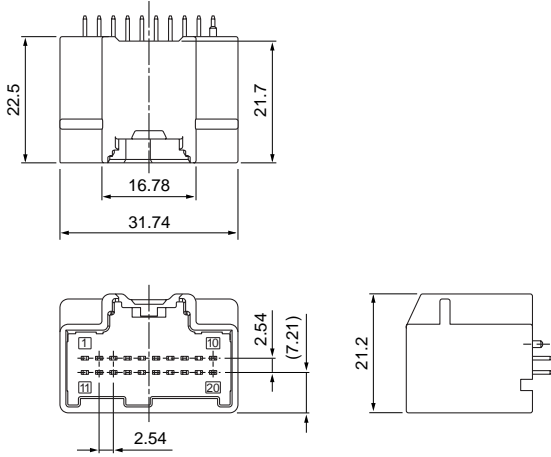
- ①Brass, tin-plated (reflow treatment)
- ②Brass, Contact area; gold-plated
Barrel area; tin-plated

Male connector

Top entry type

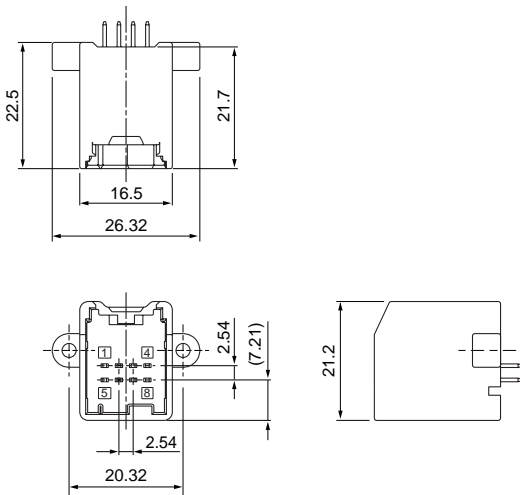
With boss

● 20 circuits

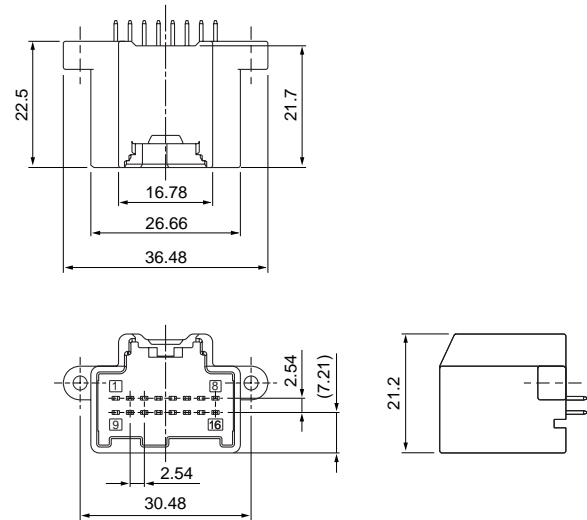


Screw hole type

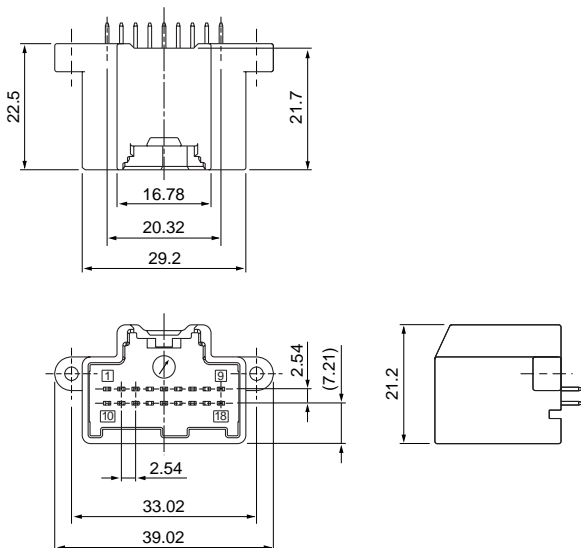
● 8 circuits



● 16 circuits



● 18 circuits



Circuits	Model No.	Q'ty/box	Housing Color
8	B08B-AIT-A2B-HS	96	Gray
	B08B-AIT-A2A-KS	96	Black
16	B16B-AIT-A2A-KS	60	Black
	B16B-AIT-A2B-HS	60	Gray
18	B18B-AIT-A2F-SS	60	Natural (White)
20	B20B2-AIT-A2A-KS-(M)	510	Black
	B20B2-AIT-A2C-KS-(M)	510	Brown

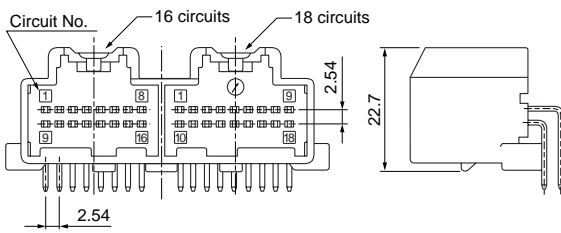
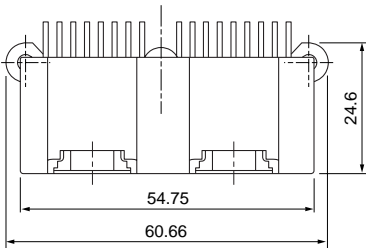
Material and Finish

Housing: Glass-filled PA
Pin: Brass, tin-plated

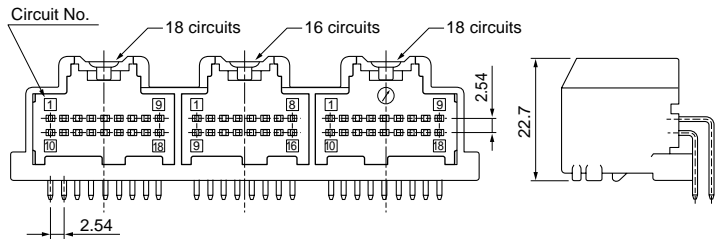
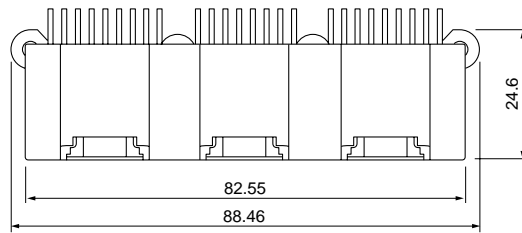
Male connector

Side entry type

● 34 circuits

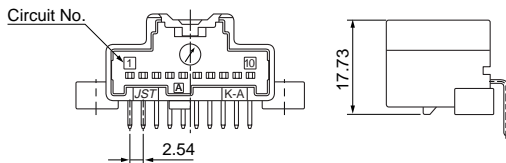
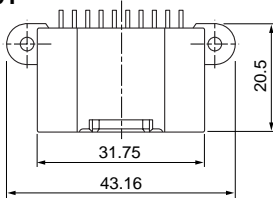


● 52 circuits

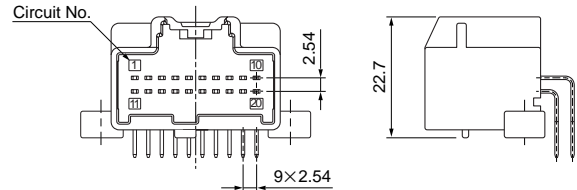
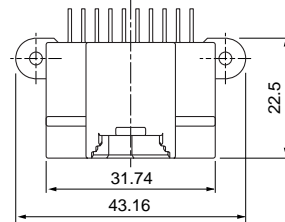


Screw hole type

● 10 circuits

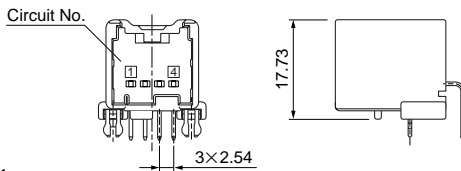
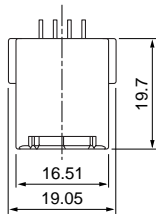


● 20 circuits

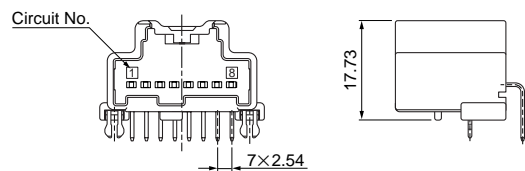
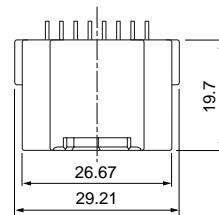


Reinforcement type

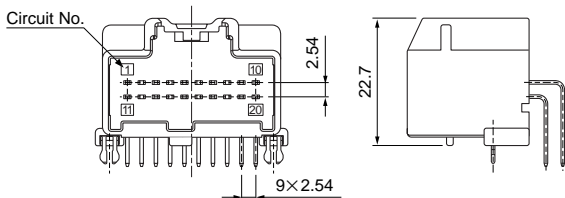
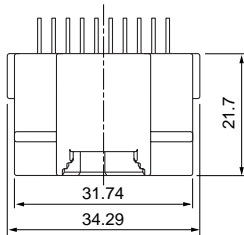
● 4 circuits



● 8 circuits



● 20 circuits



Type	Circuits	Model No.	Q'ty/box	Housing Color
1 Block	4	S04B1-AIT-A1A-KS	88	Black
	8	S08B1-AIT-A1A-KS	56	Black
	10	*S10B-AIT-A1A-KS-(M)	390	Black
	20	S20B-AIT-A2B-HS	24	Gray
		S20B-AIT-A2A-KS	24	Black
		S20B1-AIT-A2A-KS	36	Black
	S20B1-AIT-A2B-HS	36	Gray	
2 Block	34	*S34B-AIT-A22-SS-(M)	216	Natural (White)
3 Block	52	*S52B-AIT-A23-SS-(M)	144	Natural (White)

Material and Finish

Housing: Glass-filled PBT

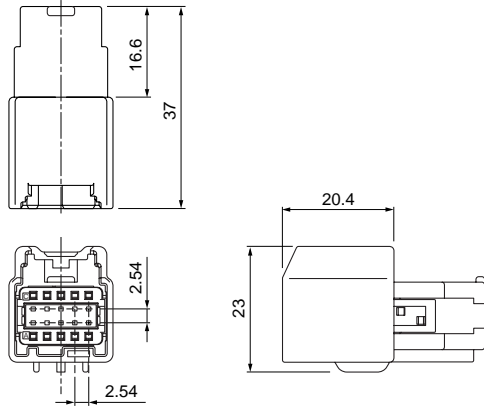
Pin: Brass, tin-plated

*Marked products display (LF)(SN) on a label.

AIT CONNECTOR

Male connector

● 10 circuits



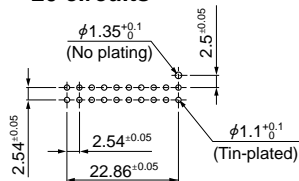
Circuits	Model No.	Q'ty/box
10	AITWSB-10-2AK	100
Material		
Housing: Glass-filled PBT, black		
TPA: Glass-filled PBT, red		

PC board layout

Top entry type

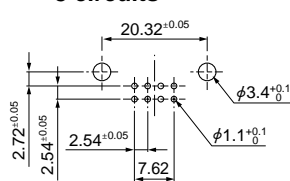
With boss

● 20 circuits

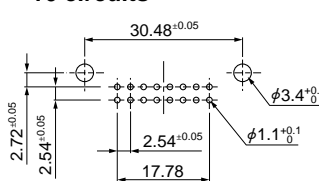


Screw hole type

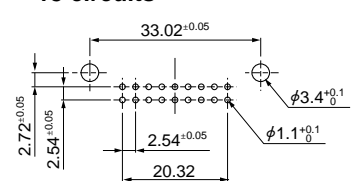
● 8 circuits



● 16 circuits

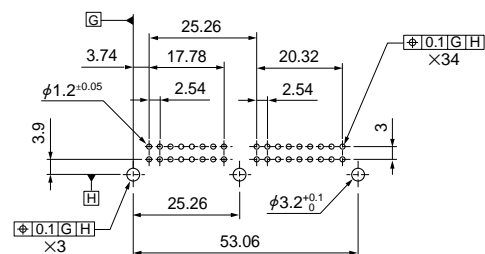


● 18 circuits



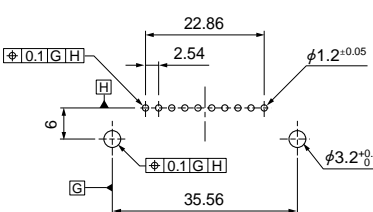
Side entry type

● 34 circuits

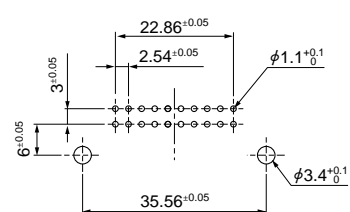


Screw hole type

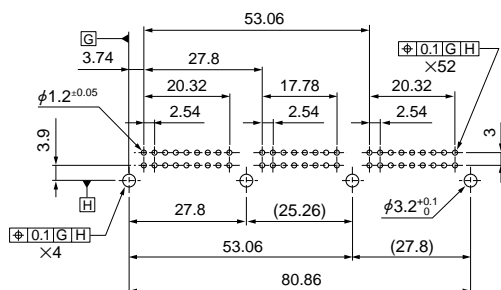
● 10 circuits



● 20 circuits

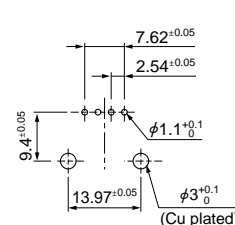


● 52 circuits

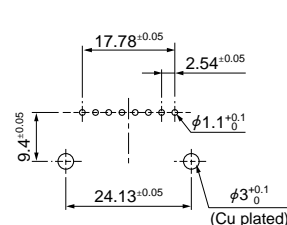


Reinforcement type

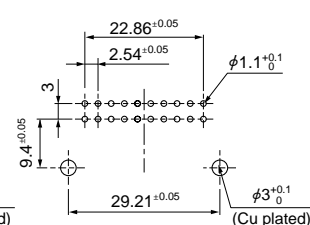
● 4 circuits



● 8 circuits



● 20 circuits



Note: 1. Tolerances are non-cumulative.
 2. Hole dimensions differ according to the type of PC board and piercing method.
 The dimensions above should serve as guideline. Contact JST for details.

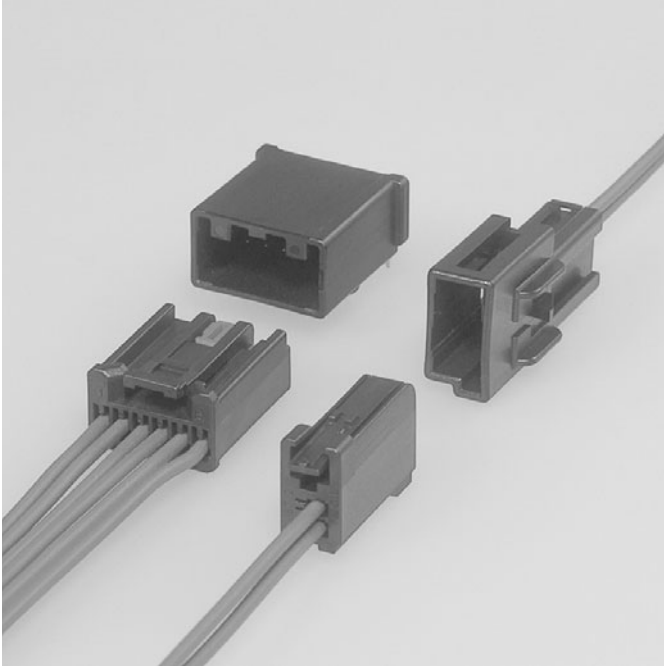
Crimping machine, Applicator

Strip terminal	Crimping machine	Crimp applicator MKS-L	
		Dies	Crimp applicator with dies
SAIT-A03(-)-M064	AP-K2N	MK/SAIT-A03-064	APLMK SAIT-A03-064
SAIT-A02(-)-M064		MK/SAIT-A02-064	APLMK SAIT-A02-064
SAITW-A03(-)-064		MK/SAITW-A03-064	APLMK SAITW-A03-064
SAITW-A02(-)-064		MK/SAITW-A02-064	APLMK SAITW-A02-064

Note: When crimping operation is conducted using an applicator and die set other than the above, JST cannot guarantee the performance of the terminal.

AIT-II CONNECTOR

Board-to-wire/Wire-to-wire



0.64 unsealed low-profile connector series for use in a wide range of automotive applications.

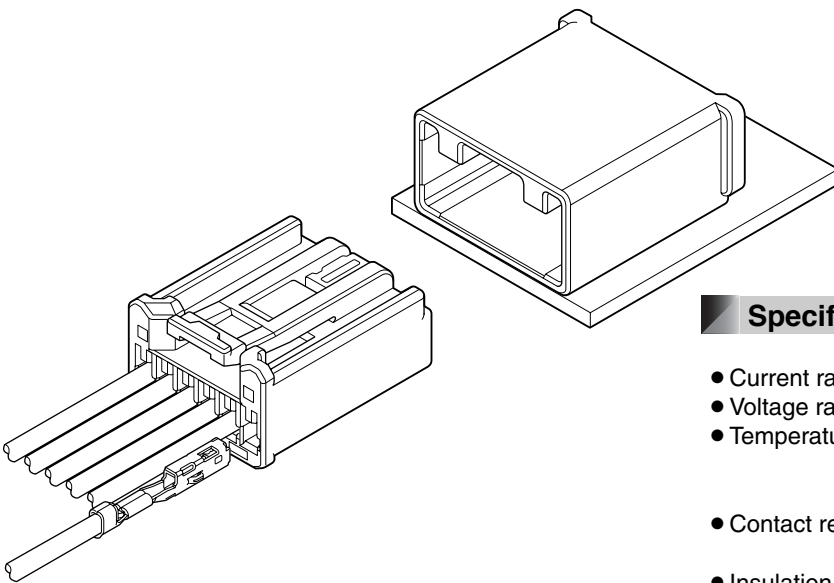
Features

● Ultra Low Profile Connector

Over 30% Height Reduction as compared to the Standard USCAR Footprints.

● Variations

There are multiple varieties of AIT-II Connectors which can satisfy your needs.

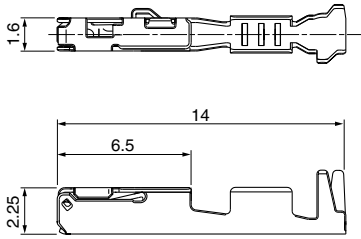


Specifications

- Current rating: 5A DC max.
- Voltage rating: 14V DC
- Temperature range: -40°C to +105°C
(including temperature rise in applying electrical current)
- Contact resistance: Initial value/15mΩ max.
After environmental testing/15mΩ max.
- Insulation resistance: 100MΩ min.
- Applicable Wire: SAE/ AVSS / CAVS
0.3mm² to 0.85mm²

- * Compliant with ELV/RoHS.
- * Contact JST for details.

Female terminal



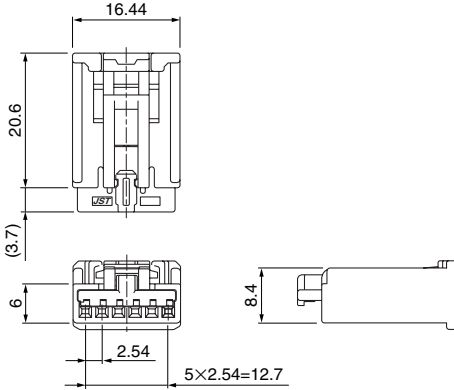
Model No.	Applicable wire range		Q'ty/reel
	Conductor (mm ²)	Insulation O.D. (mm)	
①SAIT-A03T-M064	0.3 to 0.5	≤1.9	6,500
①SAIT-A02T-M064	0.75 to 0.85	≤1.9	6,500
②SAIT-A03GF-M064	0.3 to 0.5	≤1.9	6,500
②SAIT-A02GF-M064	0.75 to 0.85	≤1.9	6,500

Material and Finish

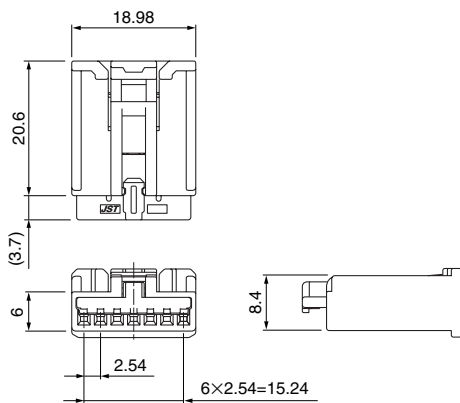
- ①Copper alloy, tin-plated (reflow treatment)
- ②Copper alloy, Contact area; gold-plated
Barrel area; tin-plated

Female connector (Top Lock/ Single row)

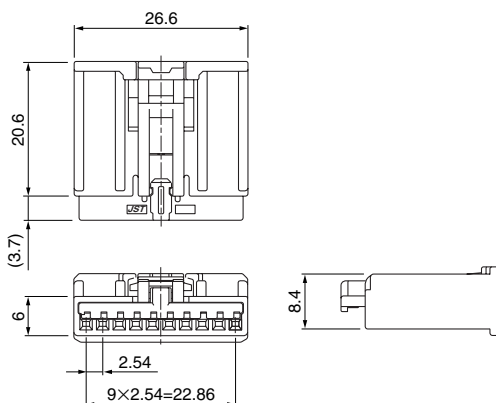
● 6 circuits



● 7 circuits



● 10 circuits



Circuits	Model No.	Q'ty/box	Housing Color
6	AIT2PB-06-1AK	350	Black
	AIT2PB-06-1BH	350	Gray
	AIT2PB-06-1FS	350	Natural (White)
7	AIT2PB-07-1BH	300	Gray
	AIT2PB-07-1FS	300	Natural (White)
10	AIT2PB-10-1AK	200	Black
	AIT2PB-10-1BH	200	Gray
	AIT2PB-10-1DM	200	Green
	AIT2PB-10-1FS	200	Natural (White)
	AIT2PB-10-1AD	200	Orange

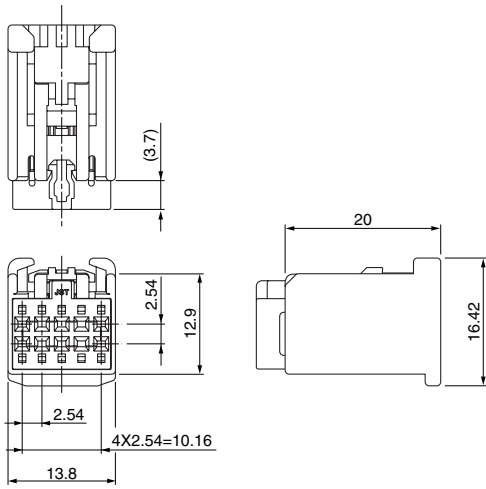
Material

Housing: Glass-filled PBT
TPA: Glass-filled PBT, red

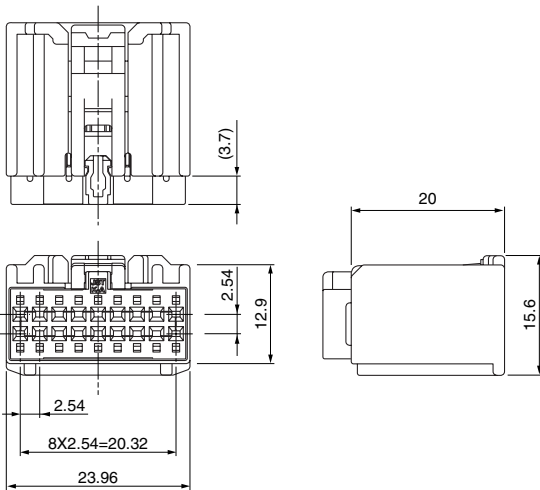
AIT-II CONNECTOR

Female connector (Top Lock/ Dual row)

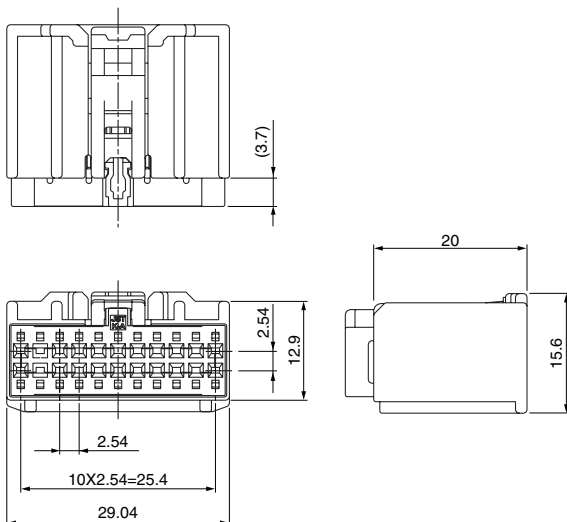
• 10 circuits



• 18 circuits



• 22 circuits



Circuits	Model No.	Q'ty/box	Housing Color	TPA Color
10	AIT2PB-10P-2AK	200	Black	Natural (White)
	AIT2PB-10P-2BH	200	Gray	Natural (White)
18	AIT2PB-18-2AD	100	Orange	Black
	AIT2PB-18-2BD	100	Orange	Natural (White)
	AIT2PB-18-2AK	100	Black	Natural (White)
	AIT2PB-18-2BH	100	Gray	Natural (White)
	AIT2PB-18-2DM	100	Green	Natural (White)
	AIT2PB-18-2FS	100	Natural (White)	Black
22	AIT2PB-22-2AK	100	Black	Natural (White)
	AIT2PB-22-2BH	100	Gray	Natural (White)
	AIT2PB-22-2CN	100	Brown	Natural (White)
	AIT2PB-22-2FS	100	Natural (White)	Black

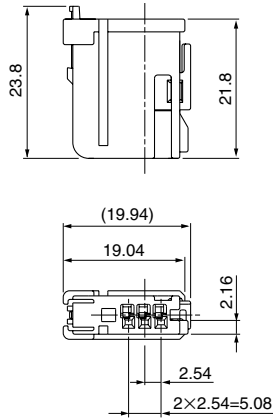
Material

Housing: Glass-filled PBT
TPA: Glass-filled PBT, red

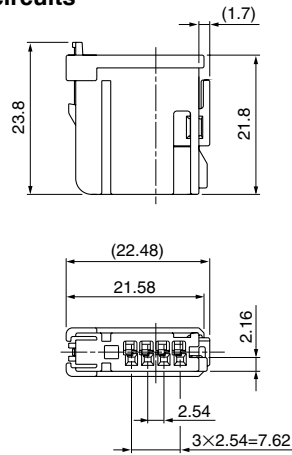
Female connector (Side Lock)

Side-Load TPA

• 3 circuits

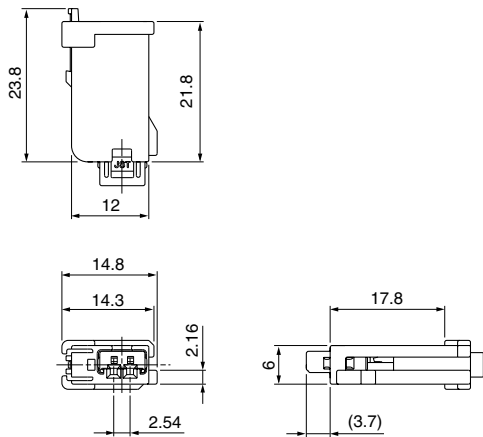


• 4 circuits

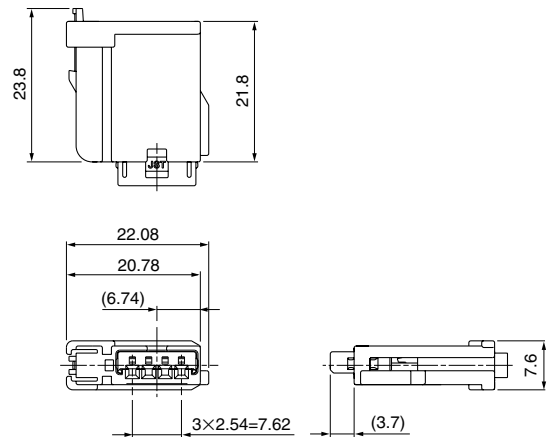


Front-Load TPA

• 2 circuits



• 4 circuits



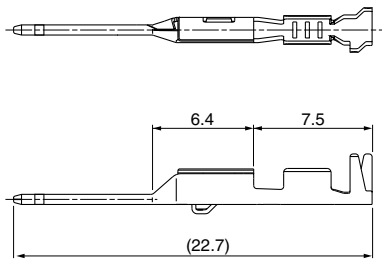
Circuits	TPA Location	Model No.	Q'ty/box	Housing Color
2	Front-Load	AIT2PB-02A-1AK	400	Black
		AIT2PB-02A-1FS	400	Natural (White)
3	Side-Load	AIT2PB-03B-1AK	400	Black
		AIT2PB-03B-1FS	400	Natural (White)
4	Front-Load	AIT2PB-04M-1AK	400	Black
	Side-Load	AIT2PB-04B-1AK	400	Black

Material

Housing: Glass-filled PBT
 TPA: Glass-filled PBT, red

AIT-II CONNECTOR

Male terminal



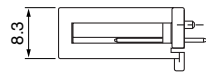
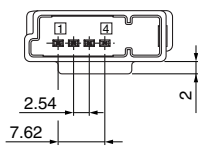
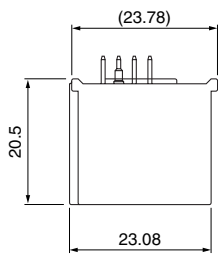
Model No.	Applicable wire range		Q'ty/reel
	Conductor (mm ²)	Insulation O.D. (mm)	
①SAITW-A03T-064	0.3 to 0.5	≤1.9	7,000
①SAITW-A02T-064	0.75 to 0.85	≤1.9	7,000
②SAITW-A03GF-064	0.3 to 0.5	≤1.9	7,000
②SAITW-A02GF-064	0.75 to 0.85	≤1.9	7,000

Material and Finish

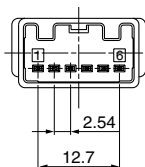
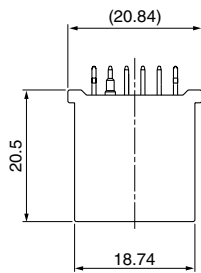
- ① Brass, tin-plated (reflow treatment)
- ② Brass, Contact area: gold-plated
Barrel area: tin-plated

Male connector (Top entry type)

● 4 circuits



● 6 circuits



Circuits	Model No.	Q'ty/box	Housing Color
4	①B04BA-AIT2-1AK	108	Black
6	②B06BA-AIT2-1AK-K	120	Black

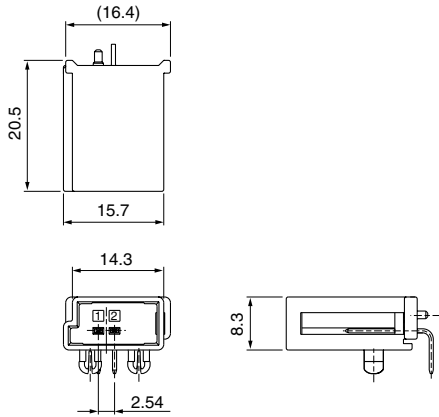
Material and Finish

- Housing: ① Glass-filled nylon
② Glass-filled PBT
- Pin: Brass, tin-plated

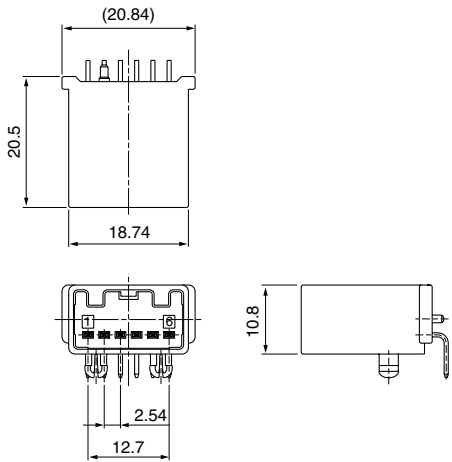
Male connector (Side entry type)

Single row

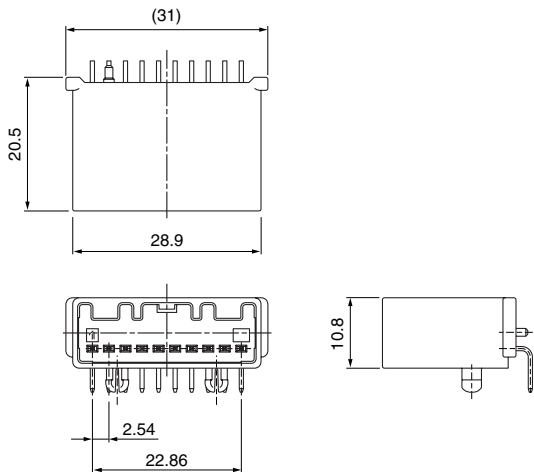
• 2 circuits



• 6 circuits



• 10 circuits



Circuits	Model No.	Q'ty/box	Housing Color
2	①S02BA-AIT2-1AK	96	Black
	①S02BA-AIT2-1FS		Natural (White)
6	①S06B-AIT2-1AK	80	Black
	①S06B-AIT2-1FS		Natural (White)
	①S06B1-AIT2-1FS		Natural (White)
	②S06B1-AIT2G-1AK		Black
10	②S10B-AIT2G-1AK	72	Black
	②S10B-AIT2G-1AD		Orange

Material and Finish

Housing: Glass-filled PBT

Pin: ①Brass, tin-plated

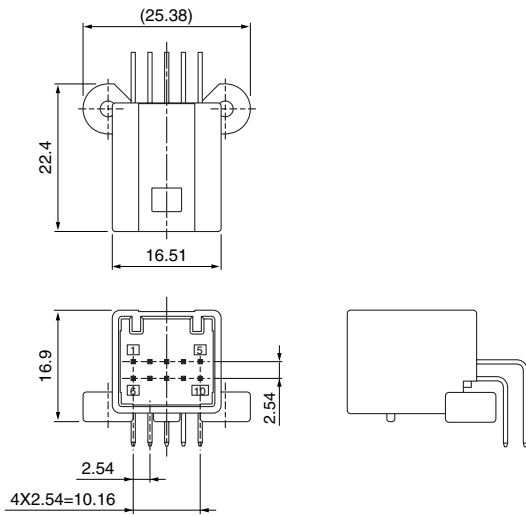
②Brass, tin-plated, Contact area: gold-plated

AIT-II CONNECTOR

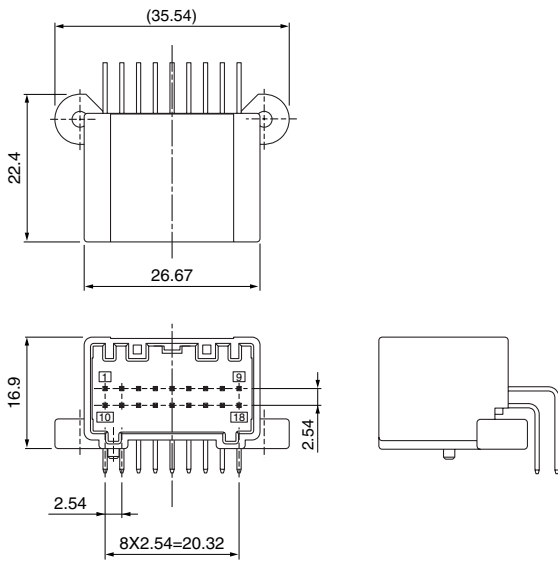
Male connector (Side entry type)

Dual row

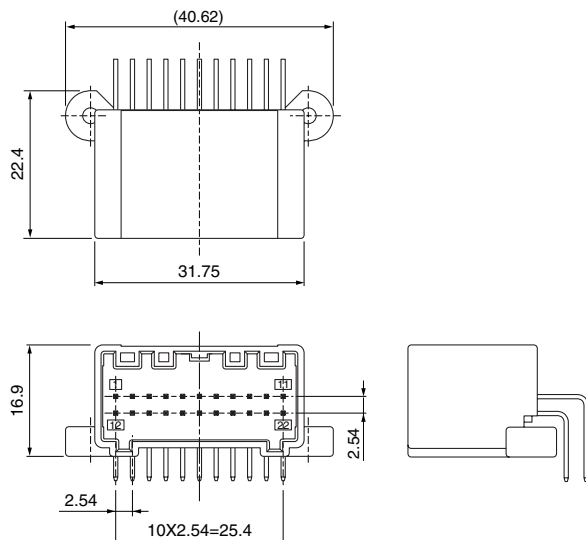
• 10 circuits



• 18 circuits



• 22 circuits



Circuits	Model No.	Q'ty/box	Housing Color
10	S10B-AIT2G-2AK	36	Black
18	S18B-AIT2G-2AK	30	Black
	S18B-AIT2G-2BH		Gray
	S18B-AIT2G-2DM		Green
	S18B-AIT2G-2FS		Natural (White)
	S18B-AIT2G-2AD		Orange
	S18B-AIT2G-2BD		Orange
22	S22B-AIT2G-2AK	24	Black
	S22B-AIT2G-2BH		Gray
	S22B-AIT2G-2CN		Brown
	S22B-AIT2G-2FS		Natural (White)

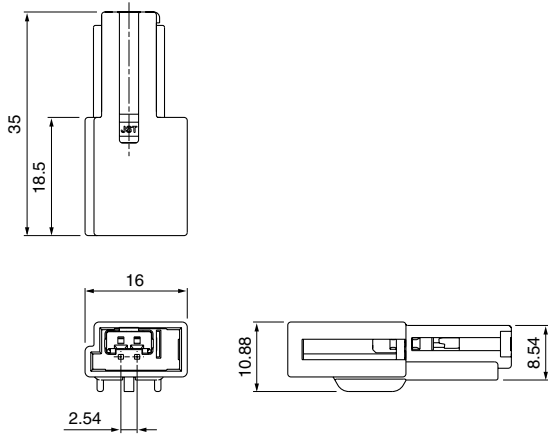
Material and Finish

Housing: Glass-filled PBT

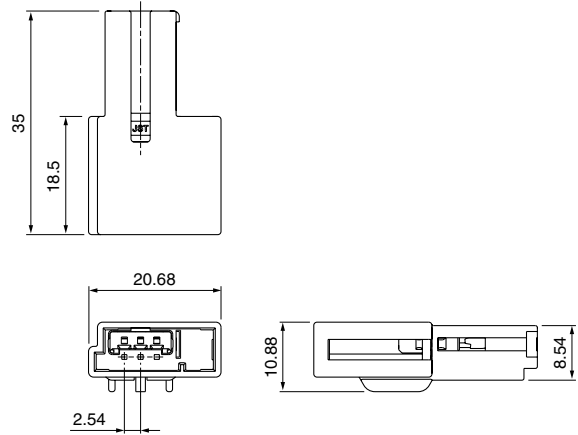
Pin: Brass, tin-plated, Contact area: gold-plated

Male connector (Wire-to-wire)

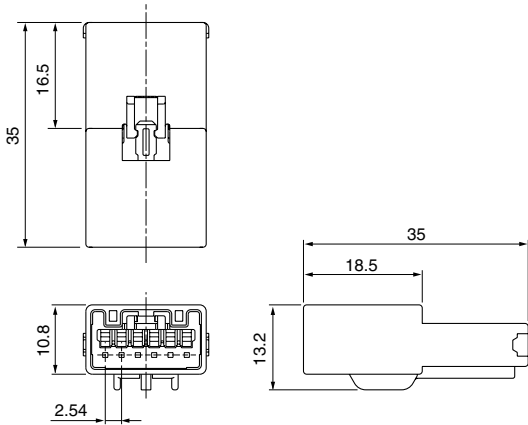
• 2 circuits



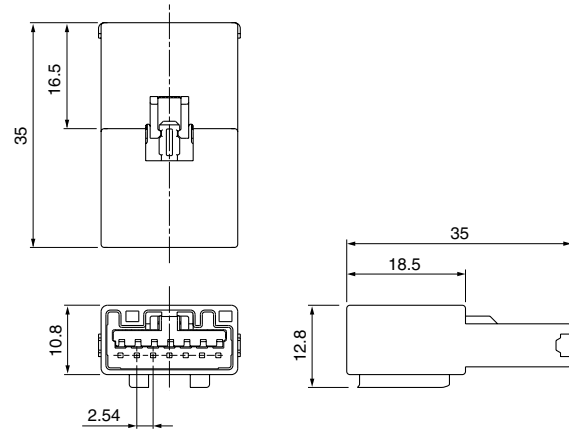
• 3 circuits



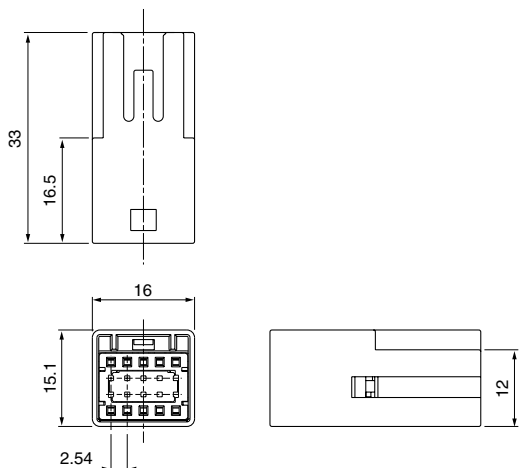
• 6 circuits



• 7 circuits



• 10 circuits (Dual row)



Circuits	Model No.	Q'ty/box	Housing Color	TPA Color
2	AIT2WSB-02A-1AK	300	Black	Red
3	AIT2WSB-03A-1AK	200	Black	Red
6	AIT2WSB-06-1AK	150	Black	Red
	AIT2WSB-06-1FS	150	Natural (White)	Red
7	AIT2WSB-07-1FS	150	Natural (White)	Red
	AIT2WSB-07-1FK	150	Black	Red
10	AIT2WSB-10A-2AK	150	Black	Natural (White)
	AIT2WSB-10A-2BH	150	Gray	Natural (White)

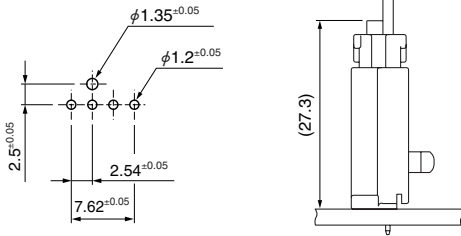
Material

Housing: Glass-filled PBT
TPA: Glass-filled PBT

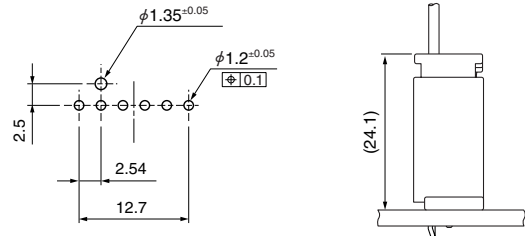
PC board layout, Assembly layout

Top entry type

• 4 circuits



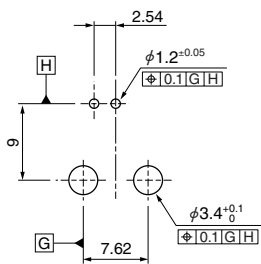
• 6 circuits



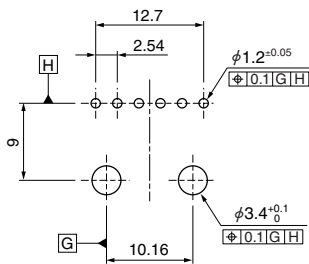
Side entry type

Single row

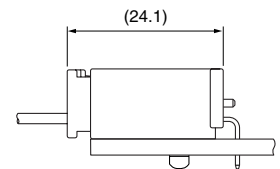
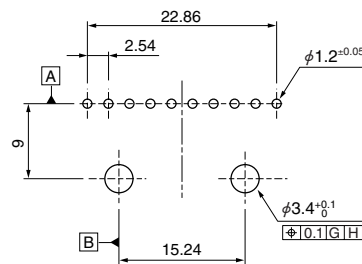
• 2 circuits



• 6 circuits

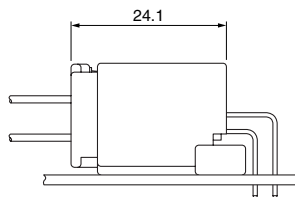
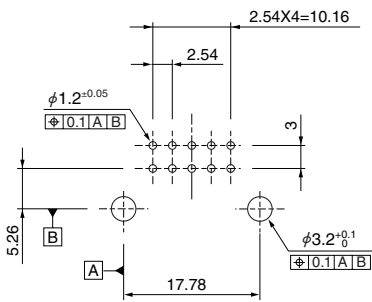


• 10 circuits

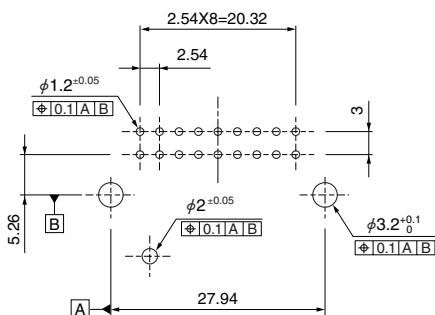


Dual row

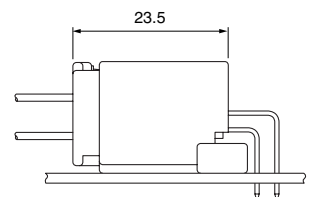
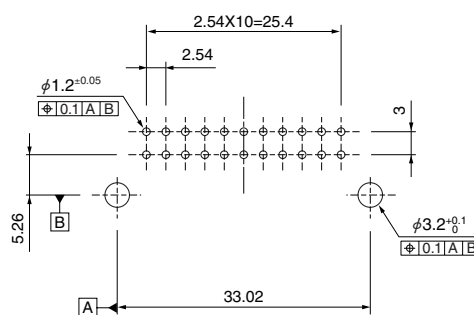
• 10 circuits



• 18 circuits



• 22 circuits



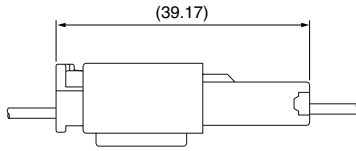
Note: 1. Tolerances are non-cumulative.
 2. Hole dimensions differ according to the type of PC board and piercing method.
 The dimensions above should serve as guideline. Contact JST for details.

Assembly layout

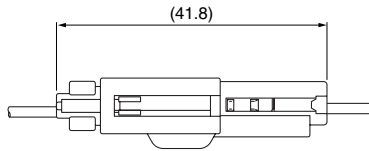
Wire-to-wire type

- Single row

AIT2WSB-()-1()



AIT2WSB-()A-1()



- Dual row

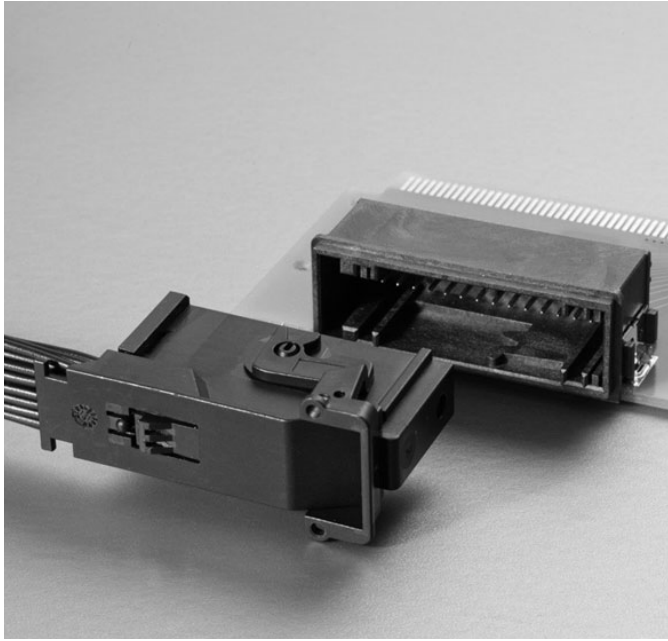
AIT2WSB-()A-2()



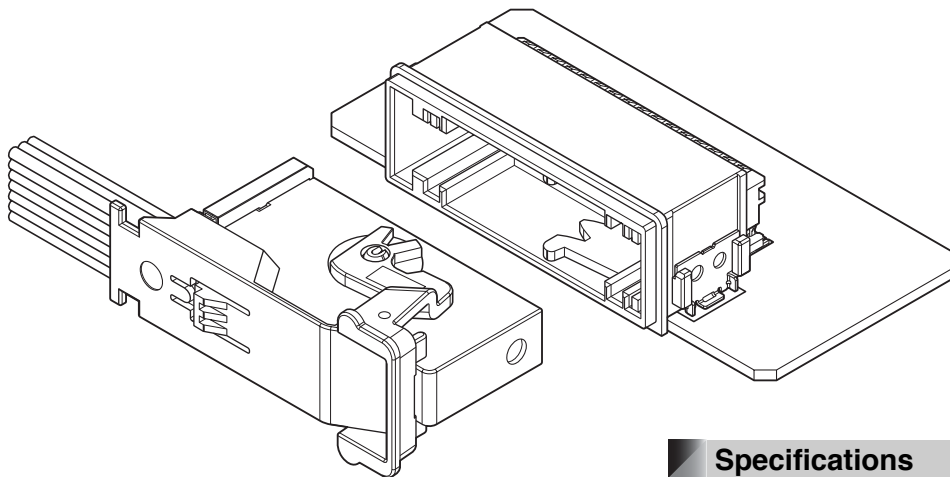
Crimping machine, Applicator

Strip terminal	Crimping machine	Crimp applicator MKS-L	
		Dies	Crimp applicator with dies
SAIT-A03()-M064	AP-K2N	MK/SAIT-A03-064	APLMK SAIT-A03-064
SAIT-A02()-M064		MK/SAIT-A02-064	APLMK SAIT-A02-064
SAITW-A03()-064		MK/SAITW-A03-064	APLMK SAITW-A03-064
SAITW-A02()-064		MK/SAITW-A02-064	APLMK SAITW-A02-064

Note: When crimping operation is conducted using an applicator and die set other than the above, JST cannot guarantee the performance of the terminal.



2.54mm pitch, 0.64 unsealed surface mounting type connector with Auto Coplanarity Technology. This technology achieves stable mounting to PCB during re-flow process.



Features

● High Soldering Quality by Auto Coplanarity Technology

- Auto Coplanarity Technology(*1) achieves stable mounting to PCB.
- Self Alignment Effects(*2) enable soldering parts to perform better.

● Terminal Construction

Four contact points and Dual Springs achieve high reliability.

*1. Auto coplanarity technology:

Terminals align to PCB without having influence of PCB warpage or thermal expansion of housing.

*2. Self alignment effects:

Terminals are drawn by surface tension force and align to center position during re-flow process.

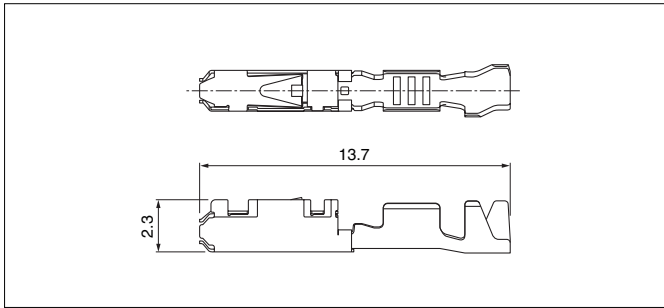
Specifications

- Current rating: 3A AC, DC
- Voltage rating: 14V AC, DC
- Temperature range: -40°C to +100°C
(including temperature rise in applying electrical current)
- Contact resistance: Initial value/20mΩ max.
After environmental testing/20mΩ max.
- Insulation resistance: 100MΩ min.
- Withstanding voltage: 1,000V AC/minute
- Applicable wire: AVSS
0.3mm² to 0.5mm²

* Compliant with ELV/RoHS.

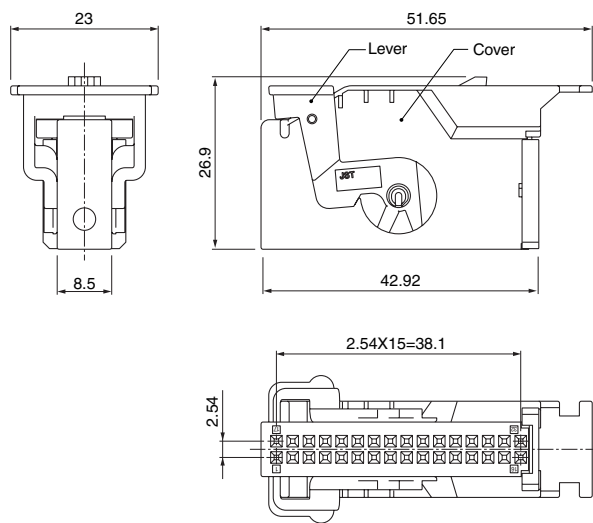
* Contact JST for details.

Female terminal

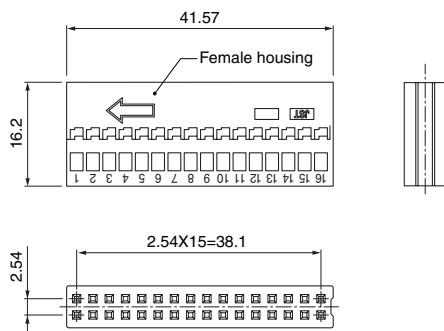


Female connector

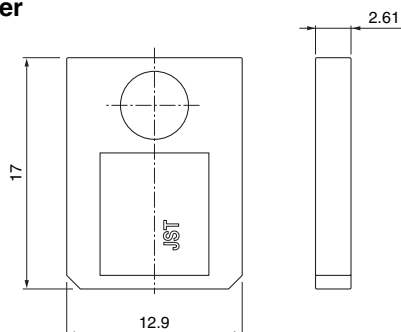
Cover housing assembly



Female housing



Slide cover



Model No.	Applicable wire range		Q'ty/reel
	Conductor (mm ²)	Insulation O.D. (mm)	
SGIT-B021T-MS0.64	0.3 to 0.5	1.4 to 1.7	Note)

Material and Finish

Terminal box: SUS
Terminal spring: Copper alloy, tin-plated

Note: Contact JST for details.

Model No.		Q'ty/box
Note1) Cover housing assembly	32GIT-CL-1A-()-()	Note 2)
Female housing	GITR-32H-1A-K	
Slide cover	GITSL-H-2A-K	

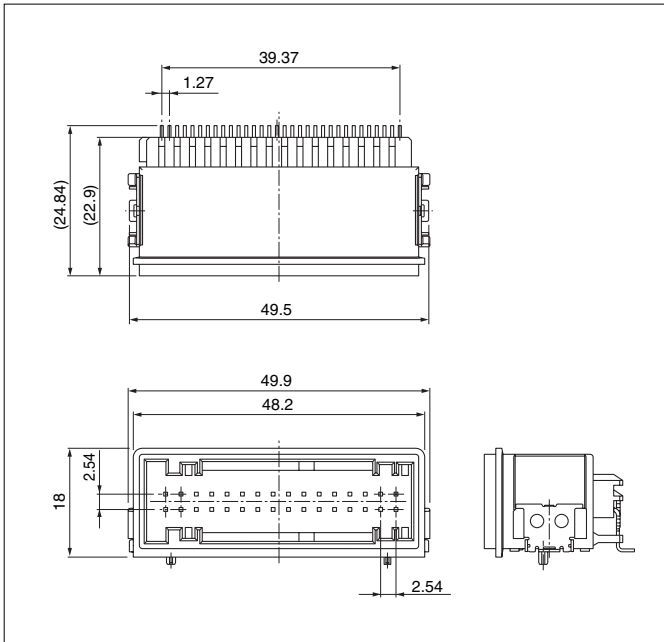
Material

Glass-filled PBT, black

Note: 1. Color/Key codes other than above-mentioned housing are also available.
2. Contact JST for details.

ACA CONNECTOR

Male connector



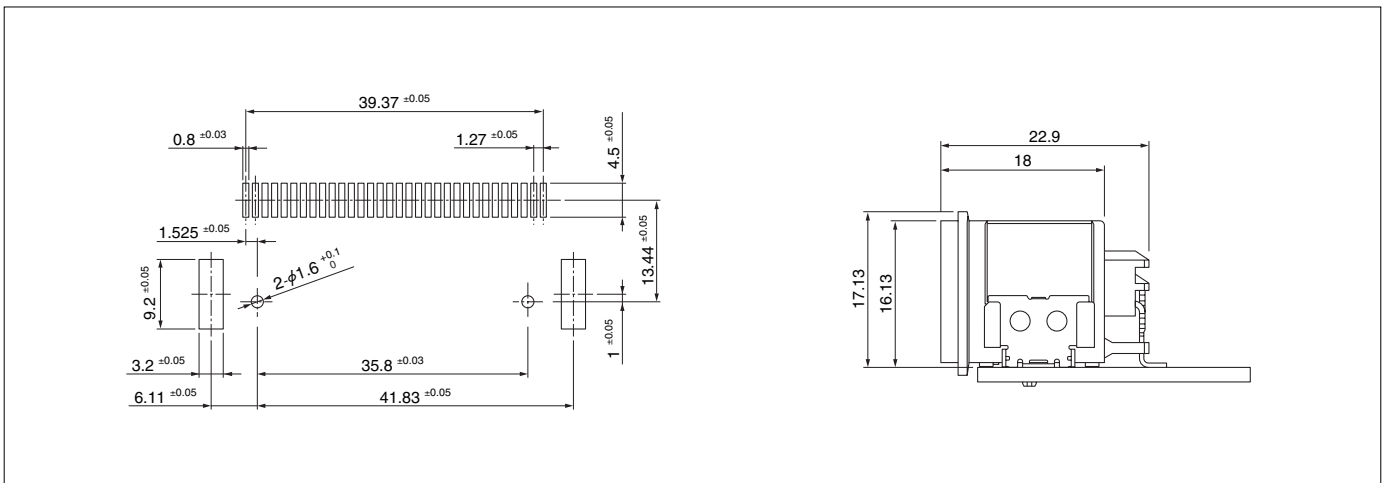
Model No.	Q'ty/box
SM32B-ACAK-1A-01M	600

Material and Finish

Housing: Glass-filled LCP, black
 Terminal: Brass, nickel-undercoated, tin-plated
 Tab: Brass, nickel-undercoated, tin-plated

- Note: 1. This product displays (LF)(SN) on a label.
 2. Key codes other than above-mentioned housing are also available. Contact JST for details.

PC board layout (viewed from component side, Assembly layout)



- Note: 1. Tolerances are non-cumulative: ±0.05mm for all centers.
 2. The dimensions above should serve as guideline. Contact JST for details.

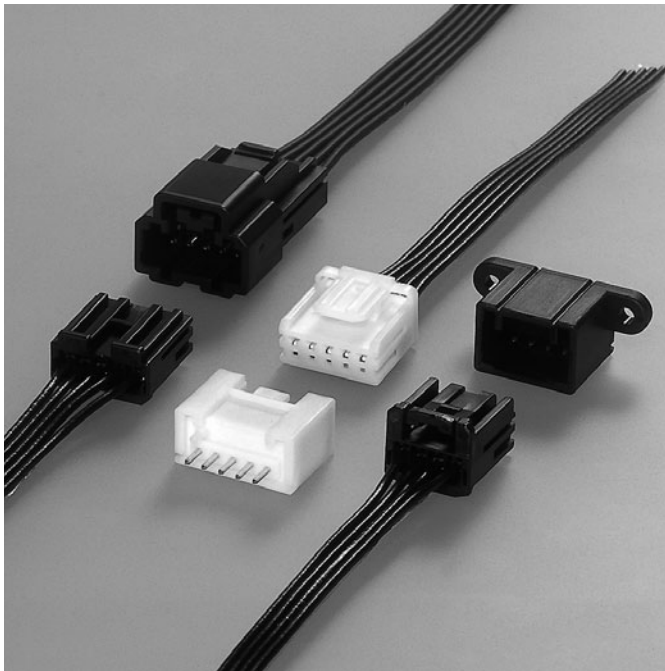
Crimping machine, Applicator

Strip terminal	Crimping machine	Crimp applicator MKS-L	
		Dies	Crimp applicator with dies
SGIT-B021T-MS0.64	AP-K2N	MK/SGIT-B021-064	APLMK SGIT-B021-064

Note: When crimping operation is conducted using an applicator and die set other than the above, JST cannot guarantee the performance of the terminal.

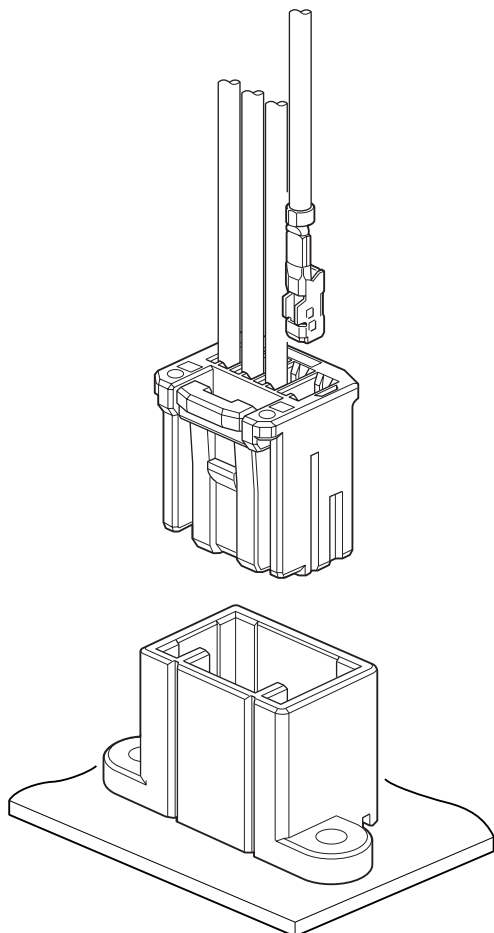
HCM CONNECTOR

Board-to-wire/Wire-to-wire



0.64 unsealed, low profile, miniaturized connectors for automobile applications.

Meets or exceeds the major performance specifications for automotive electrical connector systems.



Features

- Miniaturized Connectors, Compliant with the Automotive Performance Specifications
- Boxed Female Terminal with Triple Over-stress Protection Mechanism
- Accept 0.64 or 1.0mm Male Blade
- Optional Connector Position Assurance (CPA) Design
- Terminal Independent Secondary Lock
- Variations
Multiple circuits sizes and circuit board locking mechanisms available to suit your needs.

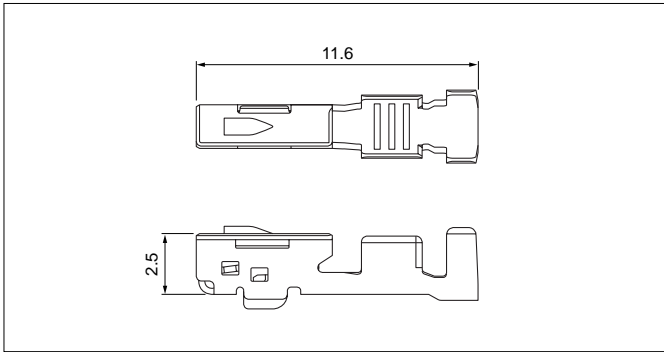
Specifications

- Current rating: 5A DC
- Voltage rating: 14V DC
- Temperature range: -40°C to +100°C
(including temperature rise in applying electrical current)
- Contact resistance: Initial value/20mΩ max.
After environmental testing/20mΩ max.
- Insulation resistance: 20MΩ min.
- Applicable wire: SAE/ AVSS/ CAVS
0.3mm² to 0.5mm²
: UL Cable
0.21mm²

* Compliant with ELV/RoHS.
* Contact JST for details.

HCM CONNECTOR

Female terminal



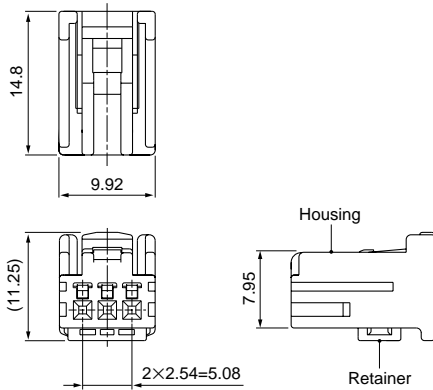
Model No.	Applicable wire range		Q'ty/reel
	Conductor (mm ²)	Insulation O.D. (mm)	
SHCM-A03T-P025	0.3 to 0.5	1.4 to 1.9	5,000
SHCM-A04T-P025	0.21	1.5	5,000
Material and Finish			
Copper alloy, tin-plated			

Female connector

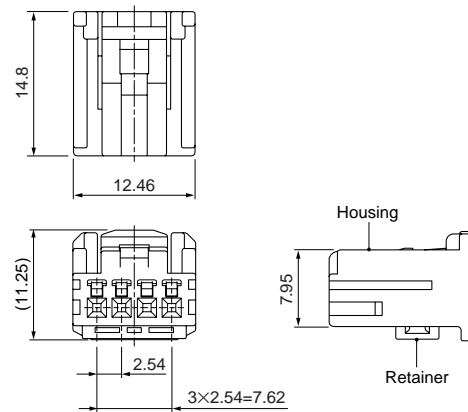
Single row

Inner lock type

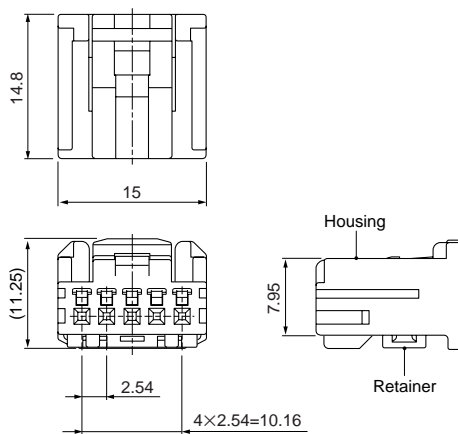
• 3 circuits



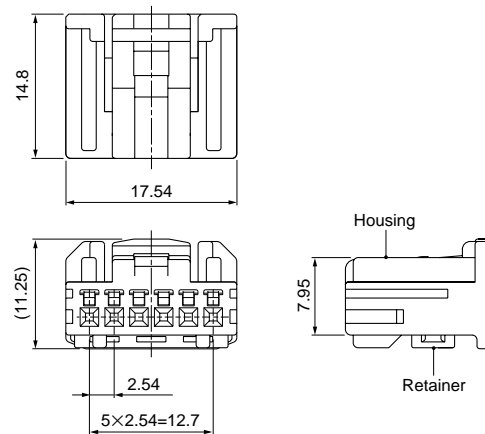
• 4 circuits



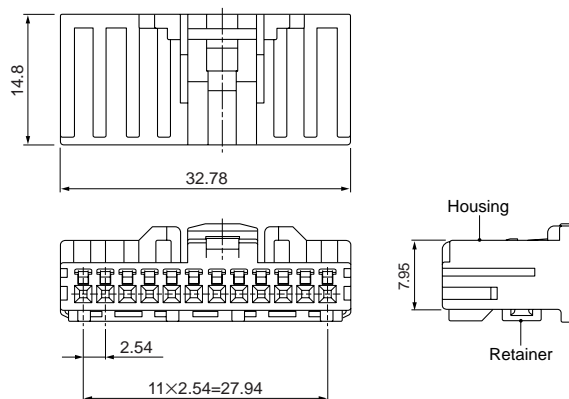
• 5 circuits



• 6 circuits



• 12 circuits

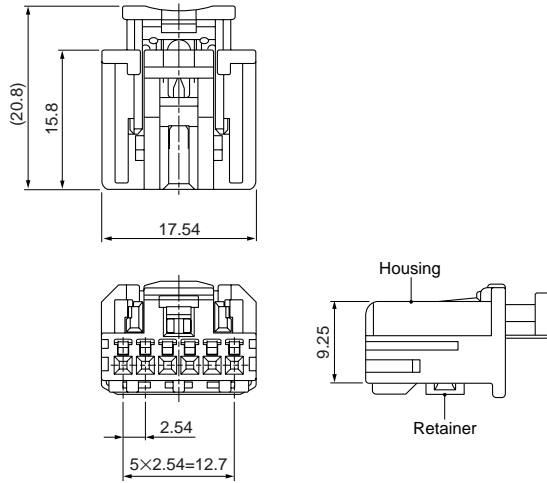


Female connector

Single row

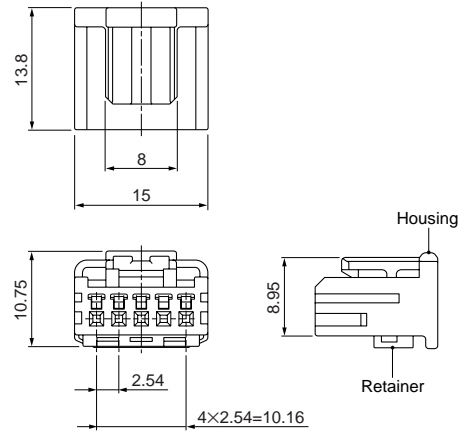
Inner lock type

- 6 circuits (W/CPA type)



Outer lock type

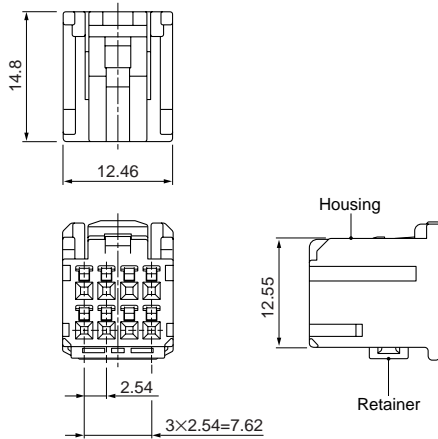
- 5 circuits



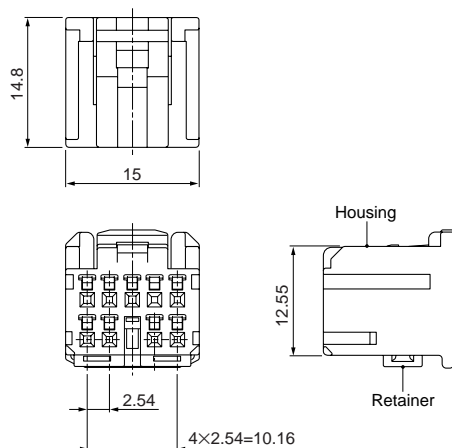
Dual row

Inner lock type

- 8 circuits



- 9 circuits



Single row

Type	Circuits	Model No.	Q'ty/box	Housing Color
Inner lock	3	HCMPB-03-K	800	Black
		HCMPB-03-S	800	White
	4	HCMPB-04-K	600	Black
		HCMPB-04-H	600	Gray
	5	HCMPB-04-S	600	Natural (White)
		HCMPB-A05-K	500	Black
	6	HCMPB-A05-S	500	Natural (White)
		HCMPB-06-K	400	Black
	12	HCMPB-06-S	400	Natural (White)
		HCMPB-12-K	200	Black
	*12	HCMPB-12-S	200	Natural (White)
		HCMPB-A12-K	200	Black
Inner lock (W/CPA)	6	HCMPB-A12-S	200	Natural (White)
		HCMPB-C06-K	300	Black
Outer lock	5	HCMPB-C06-S	300	Natural (White)
		HCMPB-05-K	500	Black
		HCMPB-05-S	500	Natural (White)

Material

Housing: PBT
 Retainer: PBT, blue
 CPA (Only for 6 circuits with CPA): Glass-filled PBT, red

*Additional keying

Dual row

Circuits	Model No.	Q'ty/box	Housing Color
8	HCMDPB-08-K	400	Black
	HCMDPB-08-S	400	Natural (White)
9	HCMDPB-09-K	400	Black

Material

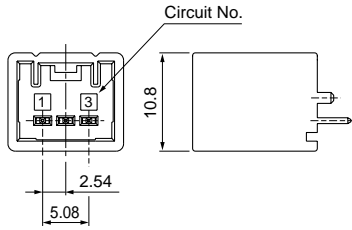
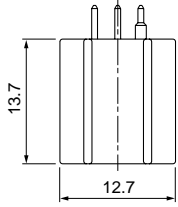
Housing: PBT
 Retainer: PBT, blue

Male connector

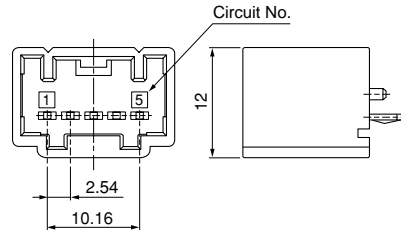
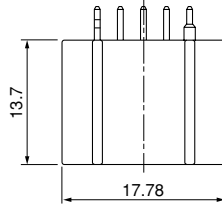
Top entry type

Inner lock type

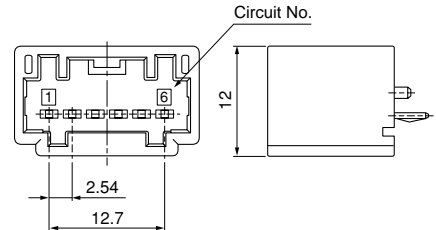
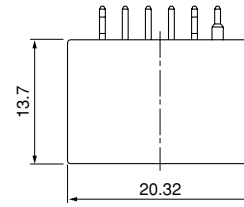
● 3 circuits



● 5 circuits



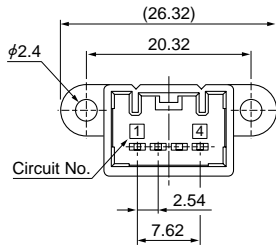
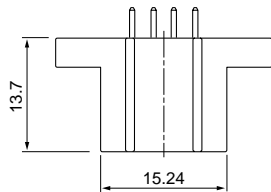
● 6 circuits



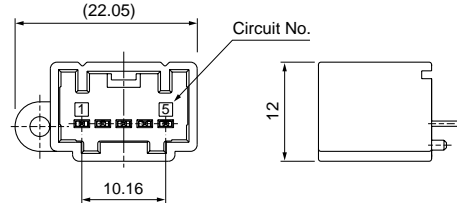
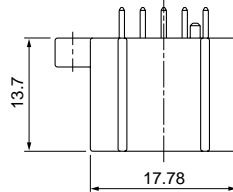
Inner lock type

Screw hole

● 4 circuits

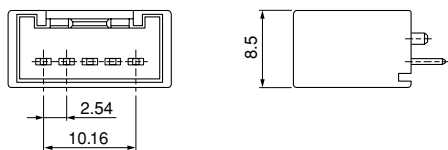
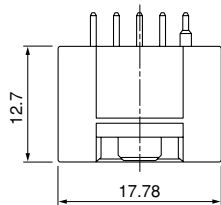


● 5 circuits



Outer lock type

● 5 circuits



Type	Circuits	Model No.	Q'ty/box	Housing Color
Inner lock	3	B03B-HCMKS	480	Black
		B03B-HCMSS	480	Natural (White)
	5	B05B-AHCMKK	288	Black
		B05B-AHCMKS	288	Natural (White)
	6	B06B-HCMKK	240	Black
		B06B-HCMKS	240	Natural (White)
Inner lock (Screw hole)	4	B04B-HCMKS-R	240	Black
		B04B-HCMKS-RA	240	Black
		B04B-HCMKS-2R	240	Black
	5	B05B2-AHCMKS-A	270	Black
Outer lock	5	B05B-HCMKS-R	432	Black
		B05B-HCMSS-R	432	Natural (White)

Material and Finish

Housing: Glass-filled PBT

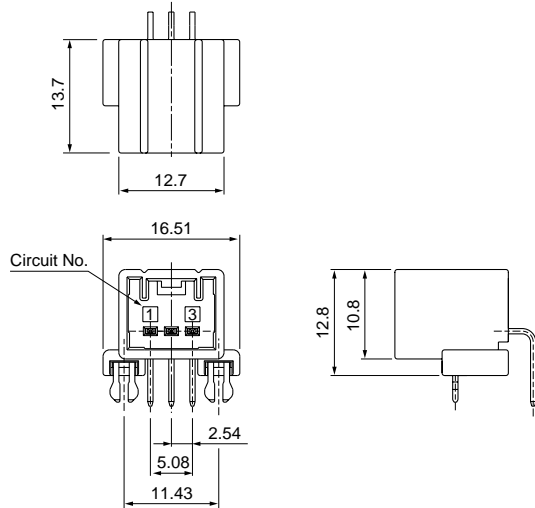
Pin: Brass, tin-plated

Male connector

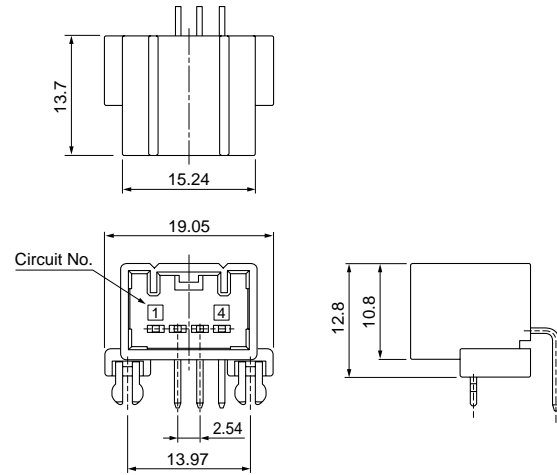
Side entry type

Reinforcement type

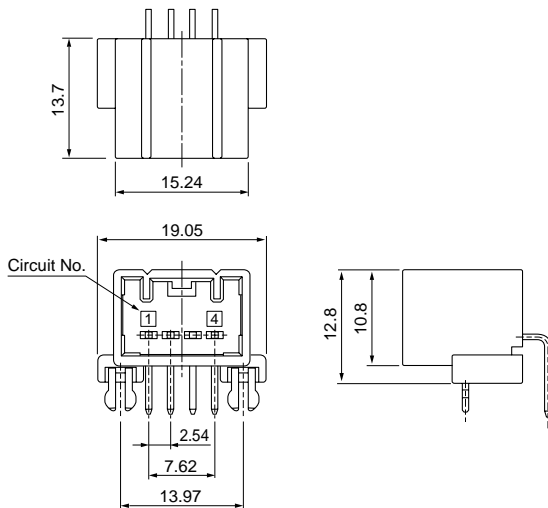
● 3 circuits (S03B1-HCMKS)



● 3 circuits (S04B1A-HCMKS)



● 4 circuits



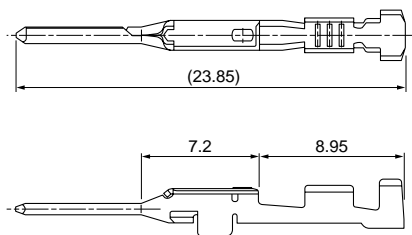
Circuits	Model No.	Q'ty/box	Housing Color
3	S03B1-HCMKS	180	Black
	S04B1A-HCMKS	165	Black
4	S04B1-HCMKS	165	Black
	S04B1-HCMSS	165	Natural (White)

Material and Finish

Housing: Glass-filled PBT

Pin: Brass, tin-plated

Male terminal



Model No.	Applicable wire range		Q'ty/reel
	Conductor (mm ²)	Insulation O.D. (mm)	
SHCMW-A03T-040	0.3 to 0.5	≤1.9	5,000

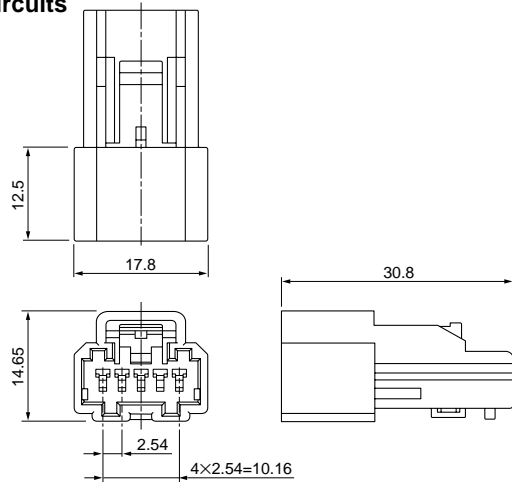
Material and Finish

Brass, tin-plated (reflow treatment)

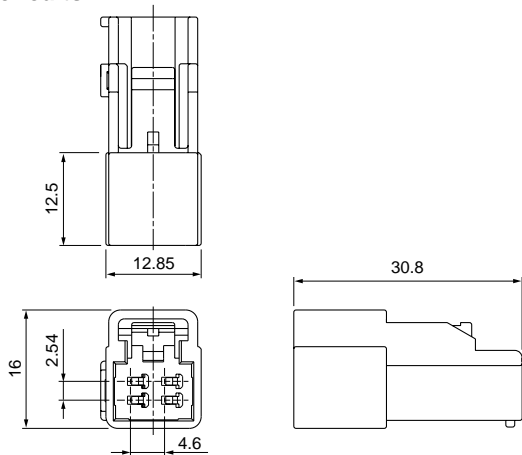
HCM CONNECTOR

Male connector

Single row ● 5 circuits

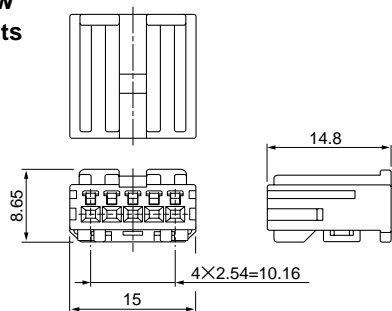


Dual row ● 4 circuits

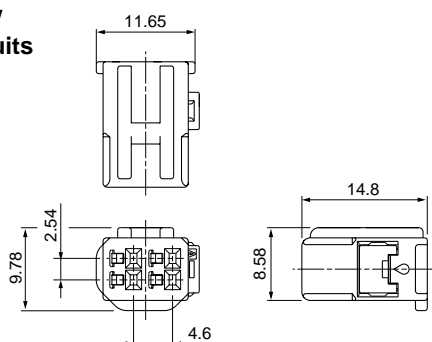


Female connector

Single row ● 5 circuits



Dual row ● 4 circuits



Type	Circuits	Model No.	Q'ty/box	Housing Color
Single row	5	HCMWSB-05-K	200	Black
Dual row	4	HCMDWSB-04-S	250	Natural (White)

Material

Housing: PBT
Retainer: PBT, blue

Type	Circuits	Model No.	Q'ty/box	Housing Color
Single row	5	HCMWPB-05-K	500	Black
Dual row	4	HCMDWPB-04-S	850	Natural (White)

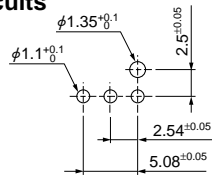
Material

Housing: PBT
Retainer: PBT, blue

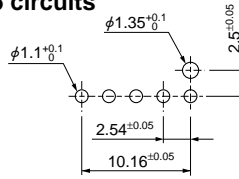
PC board layout

Top entry type

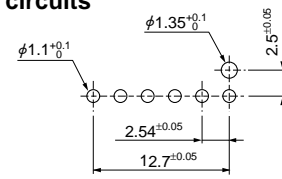
• 3 circuits



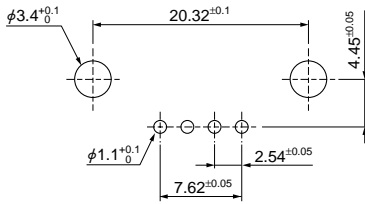
• 5 circuits



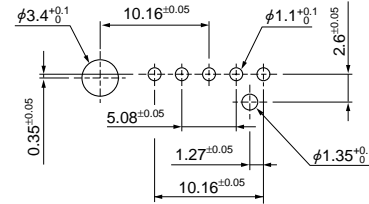
• 6 circuits



• 4 circuits (with screw hole)

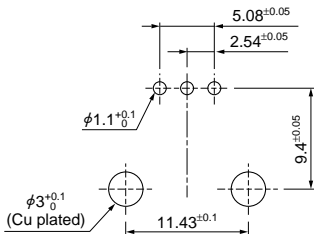


• 5 circuits (with screw hole)

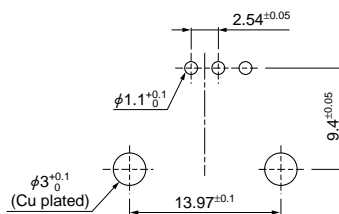


Side entry type (with reinforcement)

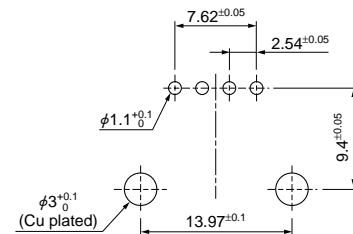
• 3 circuits



• 3 circuits (with 4 circuits housing)



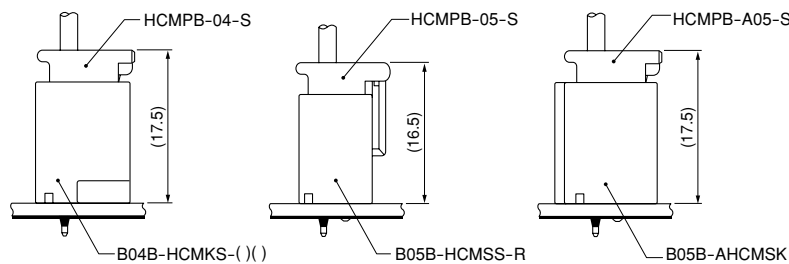
• 4 circuits



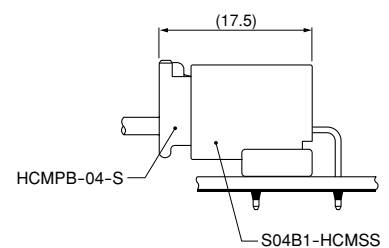
Note: 1. Tolerances are non-cumulative.
2. Hole dimensions differ according to the type of PC board and piercing method.
The dimensions above should serve as guideline. Contact JST for details.

Assembly layout

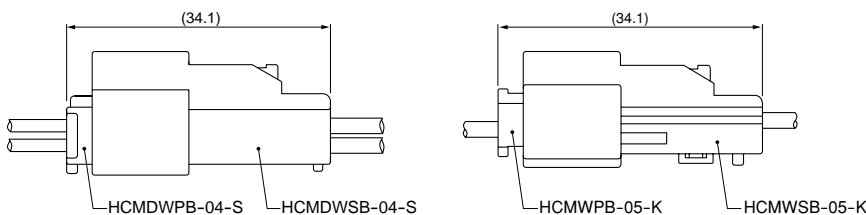
Top entry type



Side entry type



Wire-to-wire type

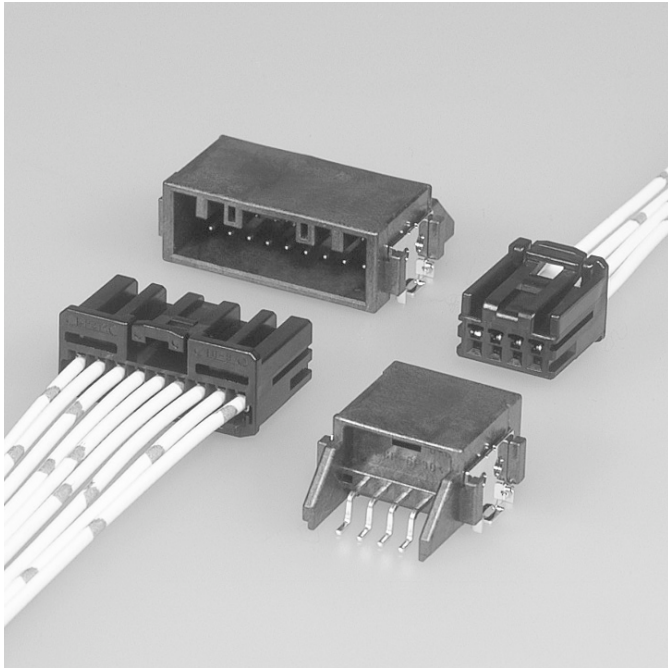


Crimping machine, Applicator

Strip terminal	Crimping machine	Crimp applicator MKS-L	
		Dies	Crimp applicator with dies
SHCM-A03T-P025	AP-K2N	MK/SHCM-A03-025	APLMK SHCM-A03-025
SHCM-A04T-P025		MK/SHCM-A04-025	APLMK SHCM-A04-025
SHCMW-A03T-040		MK/SHCMW-A03-040	APLMK SHCMW-A03-040

Note: When crimping operation is conducted using an applicator and die set other than the above, JST cannot guarantee the performance of the terminal.

HCH CONNECTOR



2.54mm pitch, 0.64 unsealed connector for automotive corresponding to the surface mounting.

Features

●Miniaturization

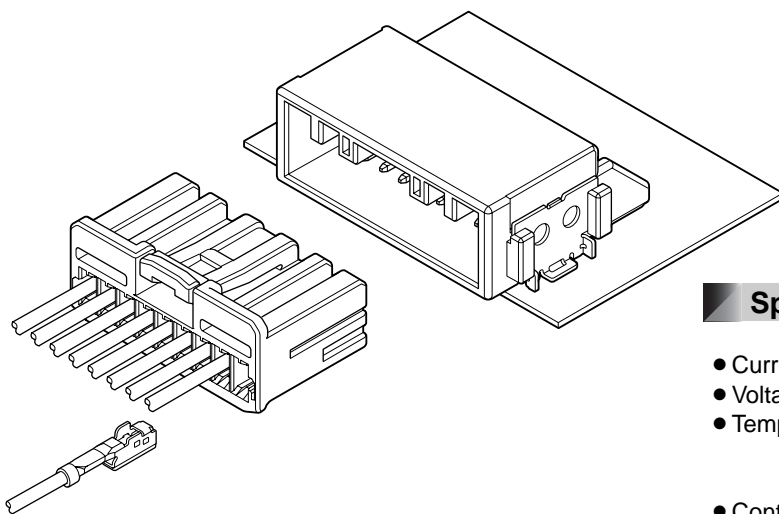
Using the short length female terminal, the miniaturization is realized.

●Surface mounting

Corresponding to the surface mounting (lead-free), mounting workability is improved.

●Reliability

High reliability ensures by using proven female terminal in the automotive electrical equipment.

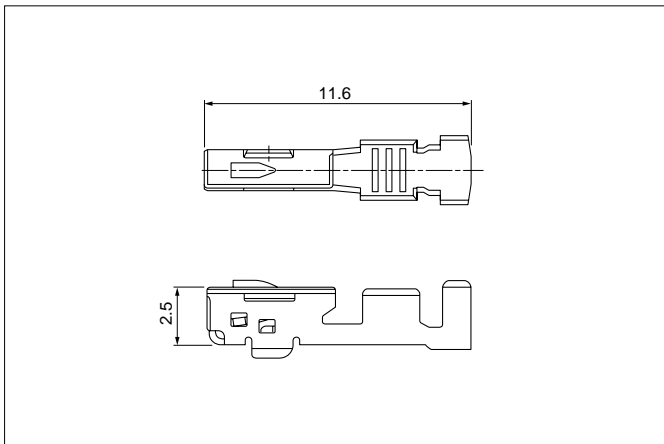


Specifications

- Current rating: 5A AC, DC (0.5mm², Single circuit)
- Voltage rating: 50V AC, DC
- Temperature range: -40°C to +120°C
(including temperature rise in applying electrical current)
- Contact resistance: Initial value/10mΩ max.
After environmental testing/20mΩ max.
- Applicable wire: AVSS
0.3mm² to 0.5mm²

- * Compliant with ELV/RoHS.
- * Contact JST for details.

Female terminal

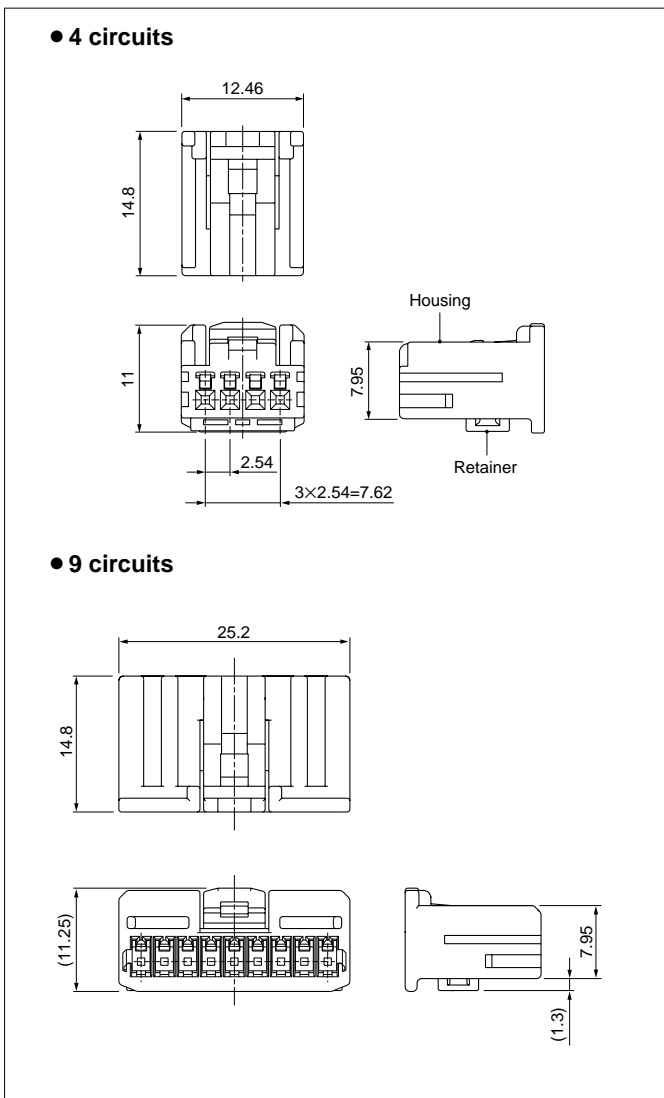


Model No.	Applicable wire range		Q'ty/reel
	Conductor (mm ²)	Insulation O.D. (mm)	
SHCM-A03T-P025	0.3 to 0.5	1.4 to 1.8	5,000

Material and Finish

Copper alloy, tin-plated (reflow treatment)

Female connector



Circuits	Model No.	Q'ty/box
4	HCMPB-04-K	600
9	HCHFB-09-KE	300

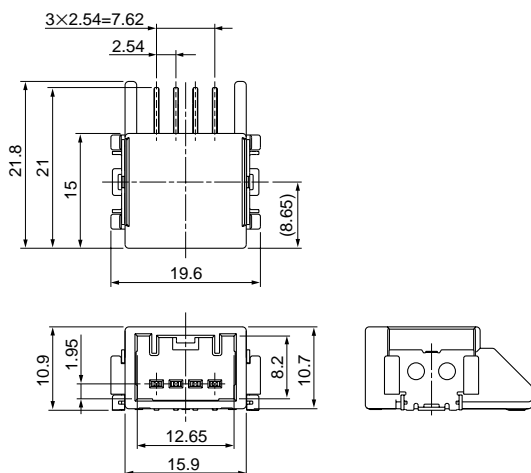
Material

Housing: PBT, black
Retainer: PBT, blue

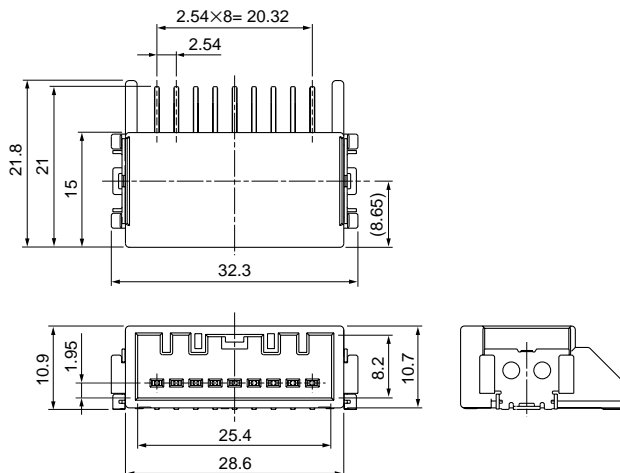
HCH CONNECTOR

Male connector

● 4 circuits



● 9 circuits



Circuits	Model No.	Q'ty/reel
4	SM04B-HCHK-TB	220
9	SM09B-HCHK-TB	220

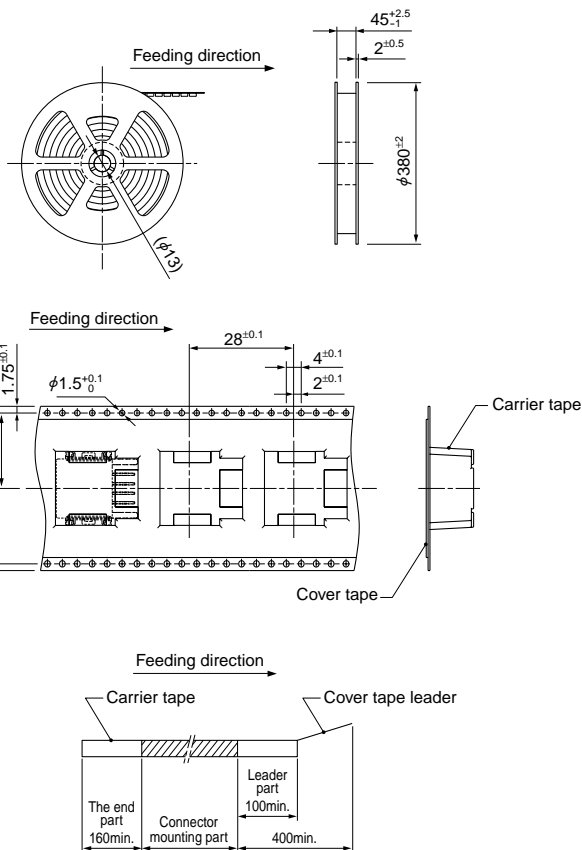
Material and Finish

Housing: Glass-filled LCP, black
 Terminal: Brass, nickel-undercoated, tin-plated
 Reinforcing tab: Brass, nickel-undercoated, tin-plated

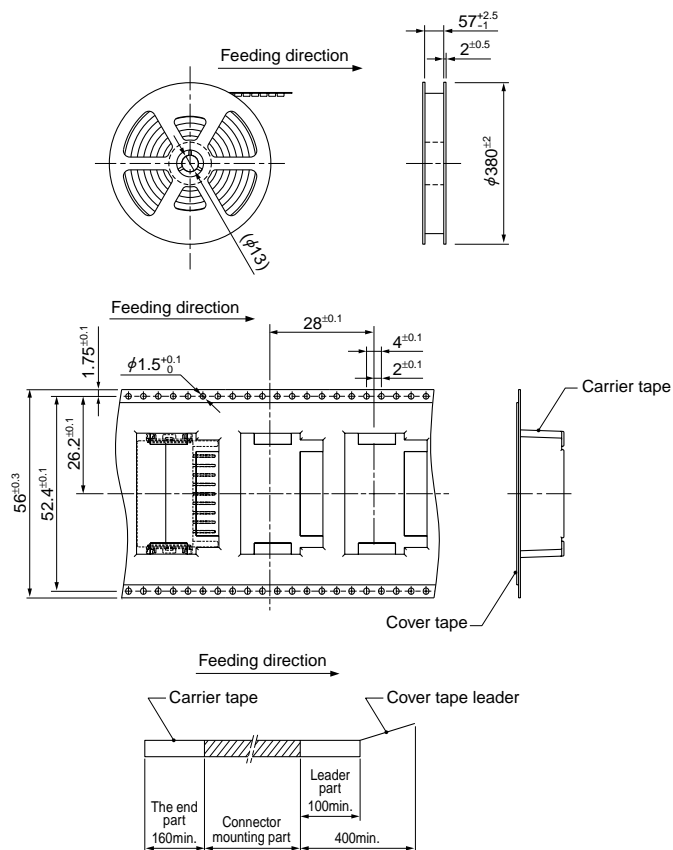
Note: This product displays (LF)(SN) on a label.

Taping Specifications

● 4 circuits

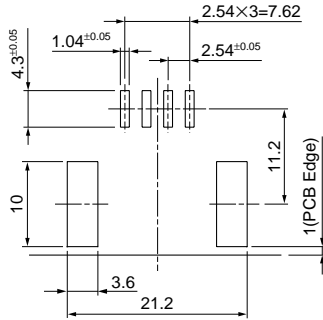


● 9 circuits

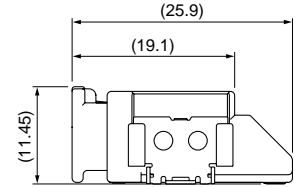
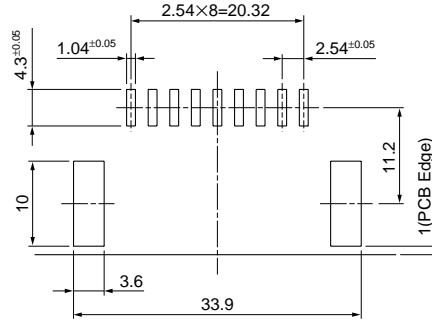


PC board layout, Assembly layout

● 4 circuits



● 9 circuits



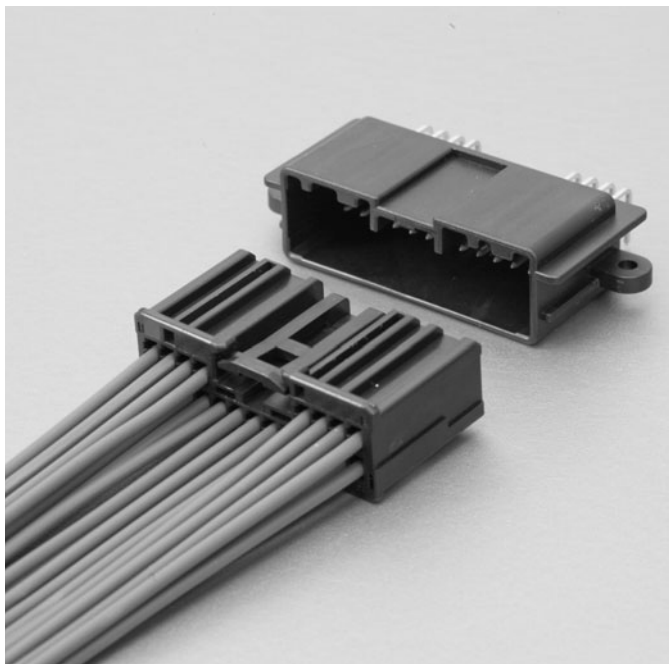
Note: 1. Tolerances are non-cumulative: $\pm 0.05\text{mm}$ for all centers.

2. The dimensions above should serve as guideline. Contact JST for details.

Crimping machine, Applicator

Strip terminal	Crimping machine	Crimp applicator MKS-L	
		Dies	Crimp applicator with dies
SHCM-A03T-P025	AP-K2N	MK/SHCM-A03-025	APLMK SHCM-A03-025

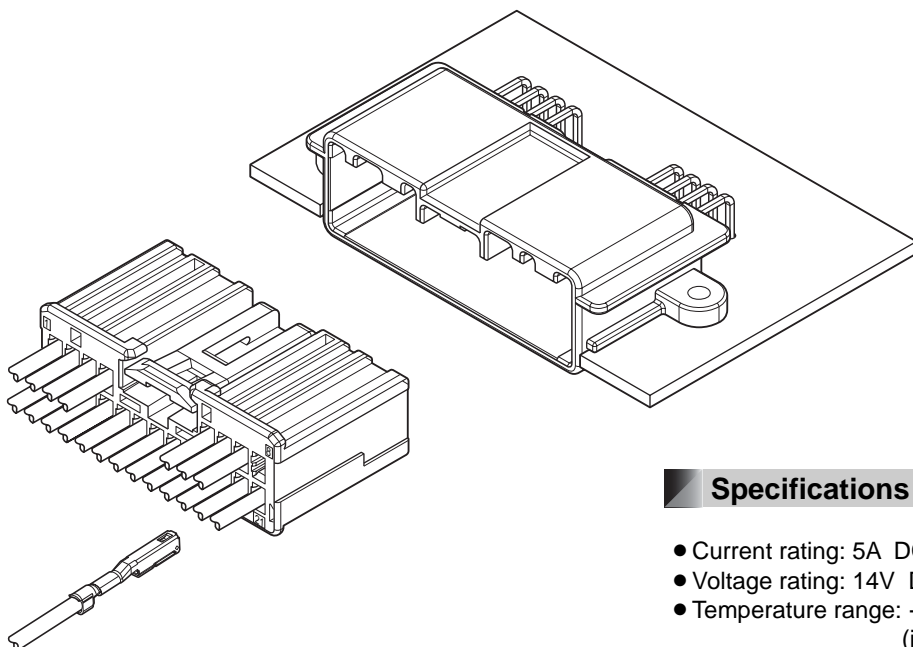
Note: When crimping operation is conducted using an applicator and die set other than the above, JST cannot guarantee the performance of the terminal.



21 Circuits 0.64 Unsealed Connector system.
Ultra low profiled design for high density PCB
placement.

Features

- 21 Circuits: 0.64 Unsealed Connector
- Unique PCB mounting, low profile side entry design
- Varieties of Color and Key code options are available

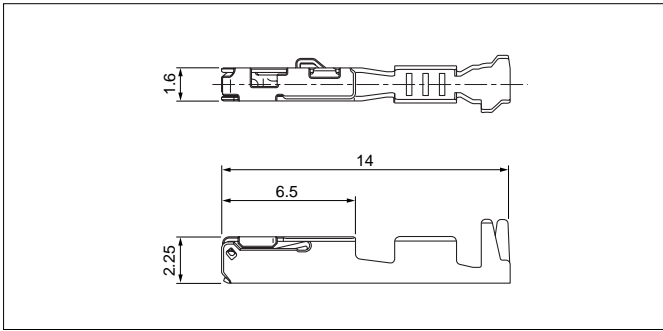


Specifications

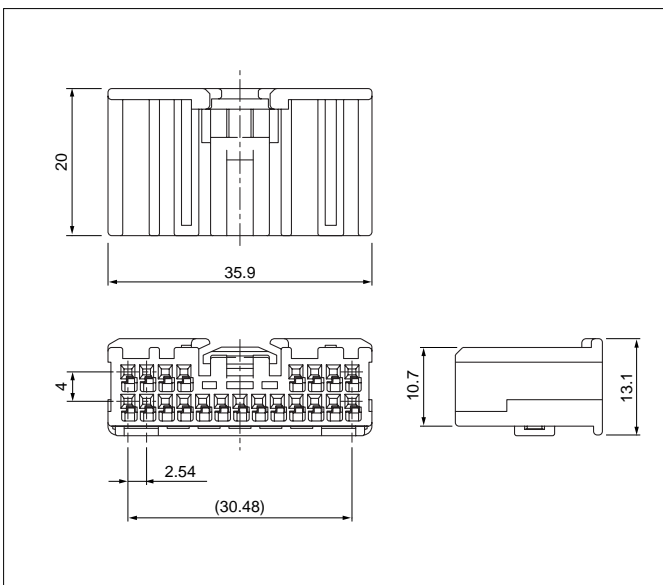
- Current rating: 5A DC max.
- Voltage rating: 14V DC
- Temperature range: -40°C to +125°C
(including temperature rise in applying electrical current)
- Contact resistance: Initial value/15mΩ max.
After environmental testing/15mΩ max.
- Insulation resistance: 100MΩ min.
- Applicable wire: SAE/AVSS/CAVS
0.3mm² to 0.8mm²

- * Compliant with ELV/RoHS.
- * Contact JST for details.

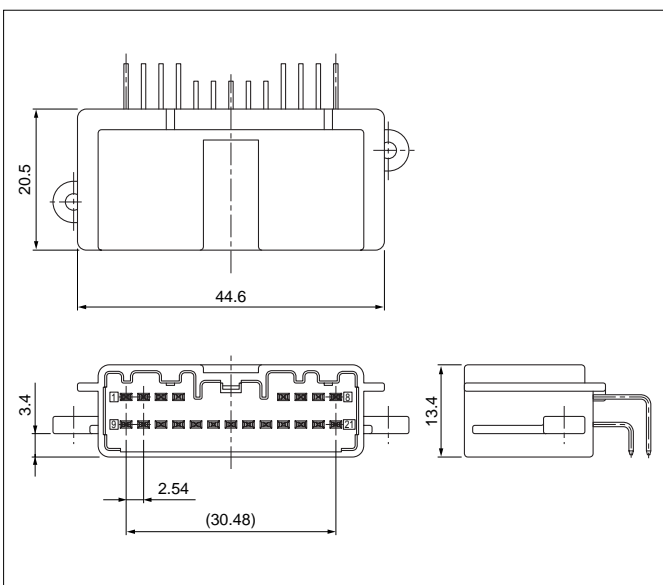
Female terminal



Female connector



Male connector



Model No.	Applicable wire range		Q'ty/reel
	Conductor (mm ²)	Insulation O.D. (mm)	
①SAIT-A03T-M064	0.3 to 0.5	≤1.9	6,500
①SAIT-A02T-M064	0.75 to 0.8	≤1.9	6,500
②SAIT-A03GF-M064	0.3 to 0.5	≤1.9	6,500
②SAIT-A02GF-M064	0.75 to 0.8	≤1.9	6,500

Material and Finish

- ① Copper alloy, tin-plated (reflow treatment)
- ② Copper alloy, nickel-undercoated, Contact area; gold-plated
Barrel area; tin-plated

Circuits	Model No.	Key Code	Q'ty/box	Housing Color	TPA Color
21	ATLPB-21-2AK	A	1,000	Black	Natural (White)
	ATLPB-21-2BH	B	1,000	Gray	Natural (White)
	ATLPB-21-2CD	C	1,000	Orange	Black
	ATLPB-21-2DD	D	1,000	Orange	Natural (White)

Material

Housing: PBT
TPA: Glass-filled PBT

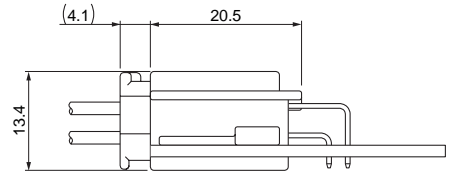
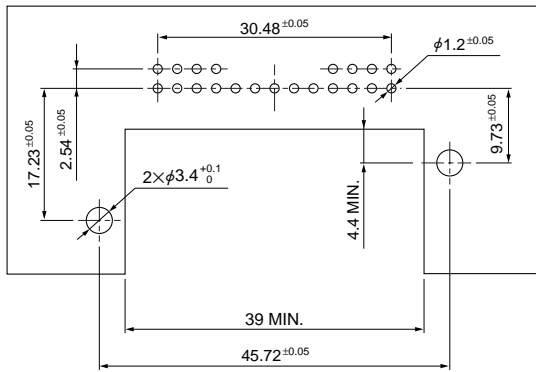
Circuits	Model No.	Key Code	Q'ty/box	Housing Color
21	S21BA-ATL-2AK	A	600	Black
	S21BA-ATL-2BH	B	600	Gray
	S21BA-ATL-2CD	C	600	Orange
	S21BA-ATL-2DD	D	600	Orange

Material and Finish

Housing: Glass-filled PBT
Pin: Brass, tin-plated

ATL CONNECTOR

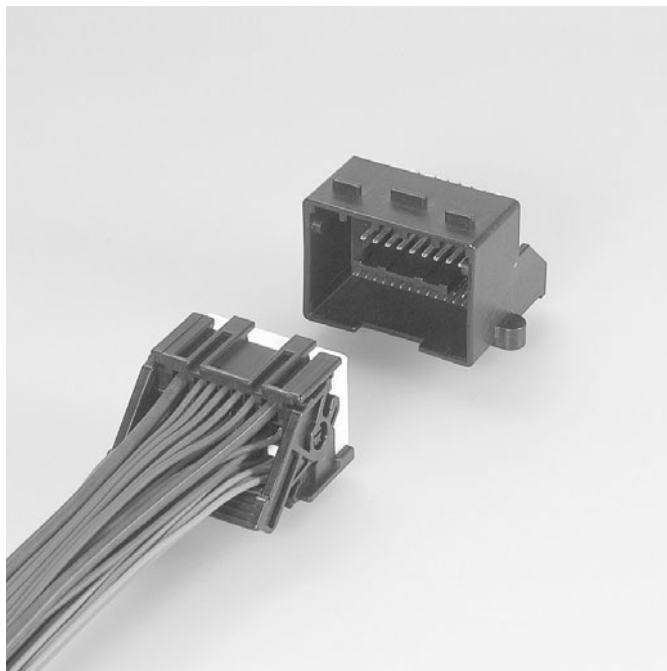
PC board layout, Assembly layout



Crimping machine, Applicator

Strip terminal	Crimping machine	Crimp applicator MKS-L	
		Dies	Crimp applicator with dies
SAIT-A03(-)-M064	AP-K2N	MK/SAIT-A03-064	APLMK SAIT-A03-064
SAIT-A02(-)-M064		MK/SAIT-A02-064	APLMK SAIT-A02-064

Note: When crimping operation is conducted using an applicator and die set other than the above, JST cannot guarantee the performance of the terminal.



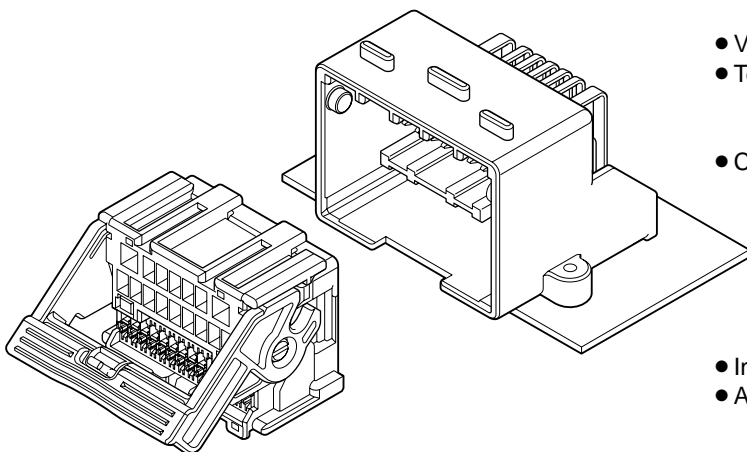
0.64/1.5 /2.8 hybrid circuits unsealed board-to-wire connector with lever mechanism proven in Automotive Radio application.

Features

- Optimum Combination of Power and Signal pins for Car Audio System
- 44 Circuits 0.64/1.5/2.8 Hybrid Board-to-Wire Connection System
- Pre-set Terminal Position Assurance (TPA)
- Pre-locked lever mechanism for low overall mating force
- Compact design

Specifications

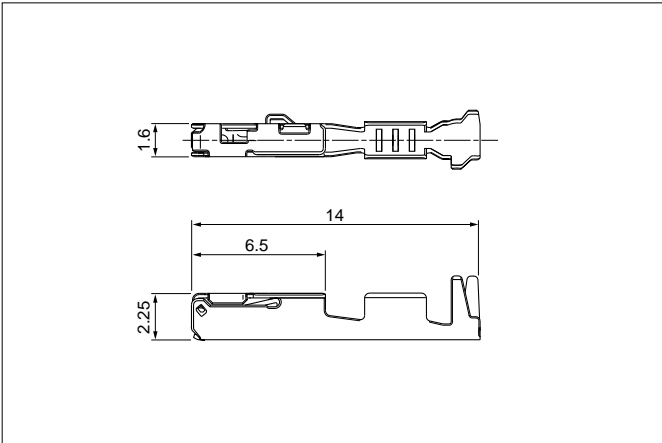
- Current rating: Signal; 5A DC max. (0.64 Terminal)
Power; 15A DC max. (1.5 Terminal)
Power; 25A DC max. (2.8 Terminal)
- Voltage rating: 14V DC
- Temperature range: -40°C to +85°C
(including temperature rise in applying electrical current)
- Contact resistance:
 - 0.64 Terminal; Initial value/15mΩ max.
After environmental testing/15mΩ max.
 - 1.5 Terminal; Initial value/8mΩ max.
After environmental testing/8mΩ max.
 - 2.8 Terminal; Initial value/5mΩ max.
After environmental testing/5mΩ max.
- Insulation resistance: 100MΩ min.
- Applicable wire:
 - 0.64 Terminal; SAE/AVSS/CAVS, 0.3mm² to 0.8mm²
 - 1.5 Terminal; 0.35mm² to 1.0mm²
 - 2.8 Terminal; 0.35mm² to 5.0mm²



* Compliant with ELV/RoHS.
* Contact JST for details.

RAD CONNECTOR

Female terminal



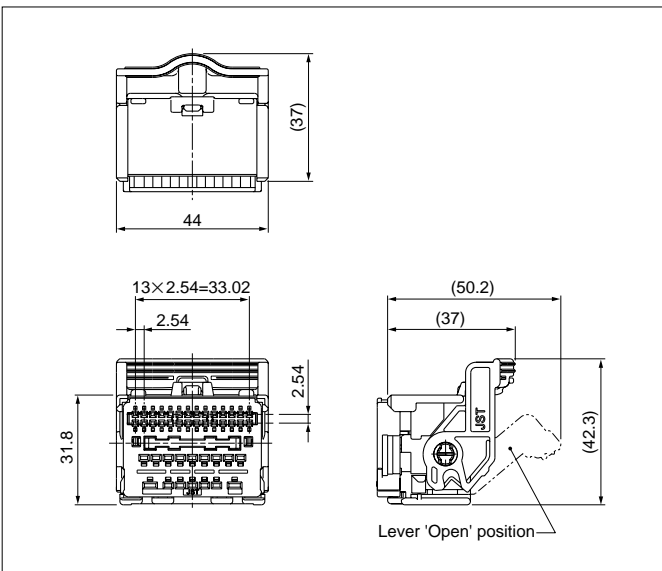
Terminal	Model No.	Applicable wire range		Q'ty/reel
		Conductor (mm ²)	Insulation O.D. (mm)	
0.64	SAIT-A03T-M064	0.3 to 0.5	≤1.9	6,500
	SAIT-A02T-M064	0.75 to 0.8	≤1.9	6,500
1.5	GT150 or equivalent Terminal (customer specified Terminal.)			
2.8	GT280 or equivalent Terminal (customer specified Terminal.)			

Material and Finish

0.64 Terminal: Copper alloy, tin-plated (reflow treatment)

1.5, 2.8 Terminal: Copper alloy, (refer to Delphi Connection Systems for detail)

Female connector



Circuits	Model No.	Q'ty/box
44	RADPB-44-1AK	180

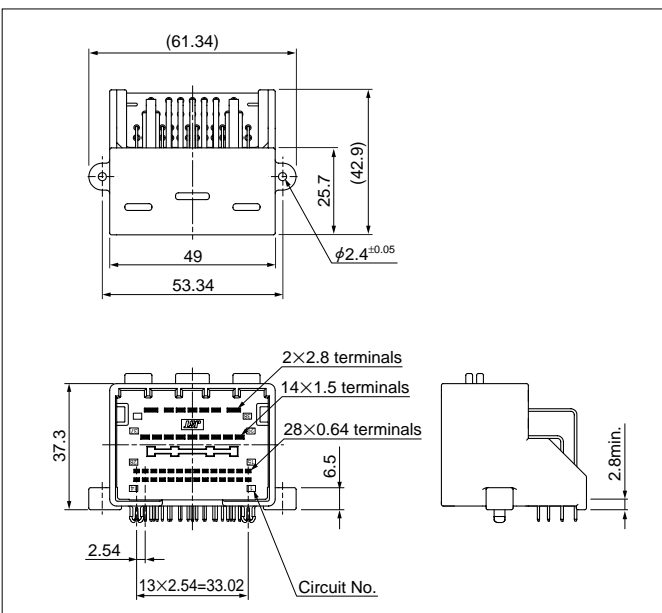
Material

Housing: Glass-filled PBT, black

TPA: Glass-filled PBT, natural (white)

Lever: Glass-filled PBT, black

Male connector



Circuits	Model No.	Q'ty/box
44	S44B-RAD-1AK	105

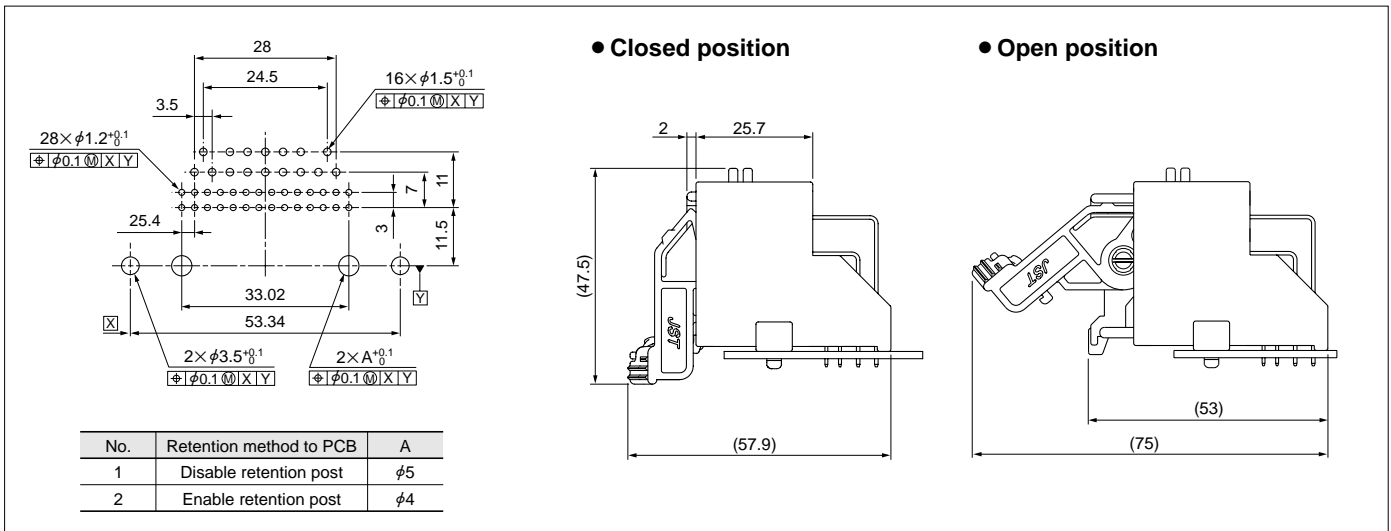
Material and Finish

Housing: Glass-filled PBT, black

Tine-plate: Glass-filled PBT, black

Pin: Copper alloy, tin-plated

PC board layout, Assembly layout



Note: 1. Tolerances are non-cumulative: $\pm 0.05\text{mm}$ for all centers.

2. Hole dimensions differ according to the type of PC board and piercing method.
The dimensions above should serve as guideline. Contact JST for details.

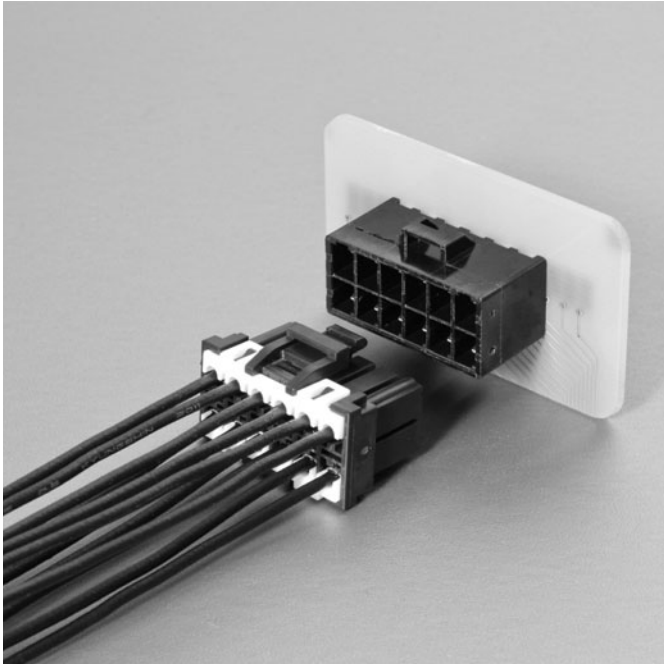
Crimping machine, Applicator

Strip terminal	Crimping machine	Crimp applicator MKS-L	
		Dies	Crimp applicator with dies
SAIT-A03T-M064	AP-K2N	MK/SAIT-A03-064	APLMK SAIT-A03-064
SAIT-A02T-M064		MK/SAIT-A02-064	APLMK SAIT-A02-064

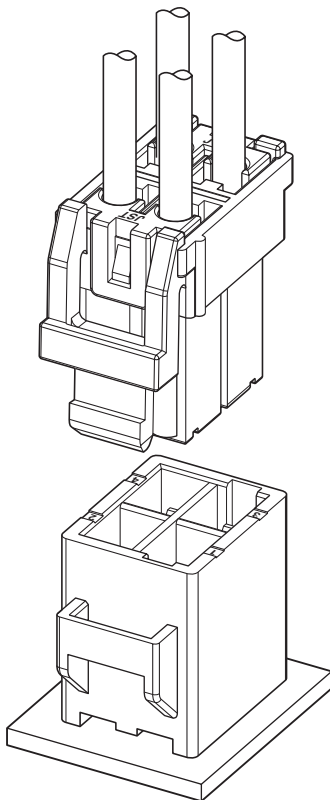
Note: When crimping operation is conducted using an applicator and die set other than the above, JST cannot guarantee the performance of the terminal.

PEA CONNECTOR

Board-to-wire



This connector withstands High Current and is used for Ballast to Lamp System.



Features

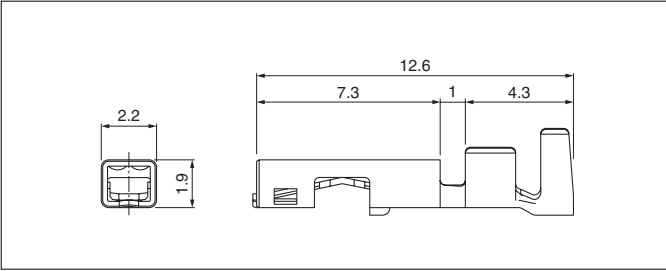
- High Current withstand
- Conform to Valeo Test Specifications
- Reflow Process Compatible

Specifications

- Current rating: Power/ 6.5A AC, DC (0.75mm²)
Signal/ 1A AC, DC (0.5mm²)
- Voltage rating: 50V AC, DC
- Temperature range: -40°C to +125°C
(including temperature rise in applying electrical current)
- Insulation resistance: 100MΩ min.
- Withstanding voltage: 1,000V AC/minute
- Applicable wire: 0.5mm² to 0.75mm²
- Applicable PC board thickness: 1.6mm

- * Compliant with ELV/RoHS.
- * Contact JST for details.

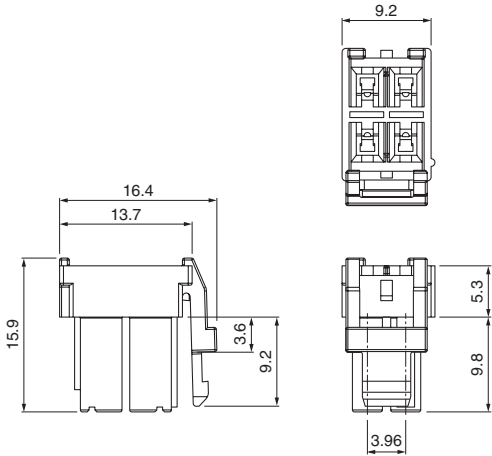
Female terminal



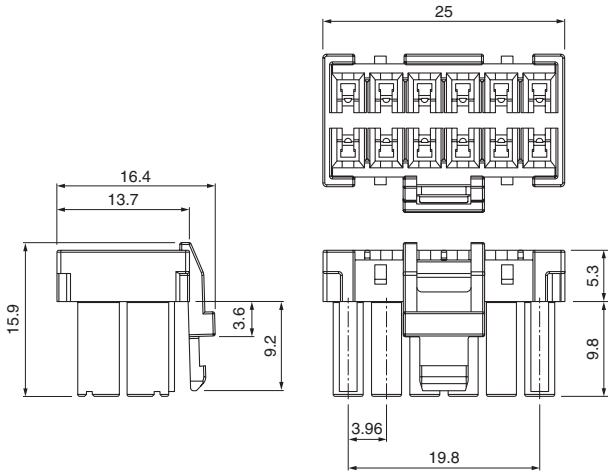
Model No.	Applicable wire range		Q'ty/reel
	Conductor (mm ²)	Insulation O.D. (mm)	
SSF-21GW-P1.4	0.5 to 0.75	1.5 to 2.5	6,000
Material and Finish			
Phosphor bronze, gold-plated			

Female connector

• 4 circuits



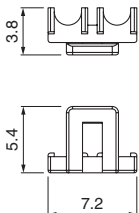
• 12 circuits



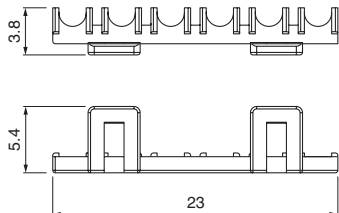
Circuits	Model No.	Q'ty/box
4	PEAP-4V-K-A	250
12	PEAP-12V-K-A	100
Material		
PBT, UL94V-0, black		

Retainer

• 4 circuits



• 12 circuits

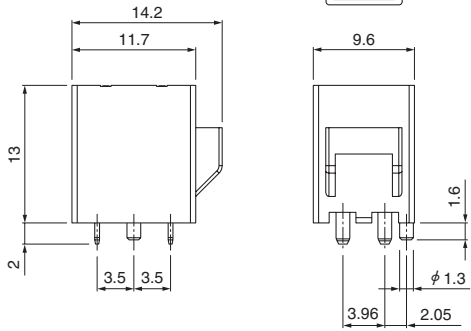


Circuits	Model No.	Q'ty/box
4	PEAP-4V-S-A	1,000
12	PEAP-12V-S-A	1,000
Material		
PBT, UL94V-0, natural		

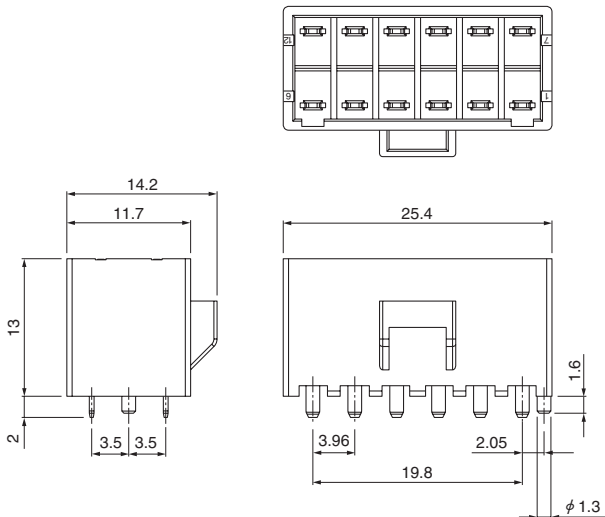
PEA CONNECTOR

Male connector

● 4 circuits



● 12 circuits



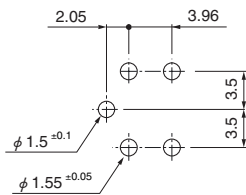
Circuits	Model No.	Q'ty/box
4	B4B-PEAK	1,152
12	B12B-PEAK	720

Material

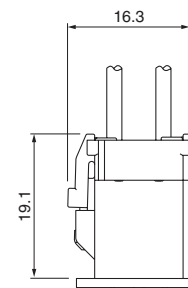
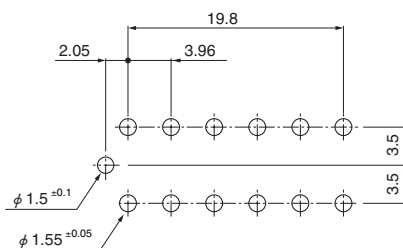
Housing: Glass-filled PPS, UL94V-0, natural
Terminal: Brass, nickel-undercoated, Contact area; gold-plated
Barrel area; tin-plated

PC board layout , Assembly layout

● 4 circuits



● 12 circuits



- Note: 1. Tolerances are non-cumulative: $\pm 0.05\text{mm}$ for all centers.
2. Hole dimensions differ according to the type of PC board and piercing method.
The dimensions above should serve as guideline. Contact JST for details.

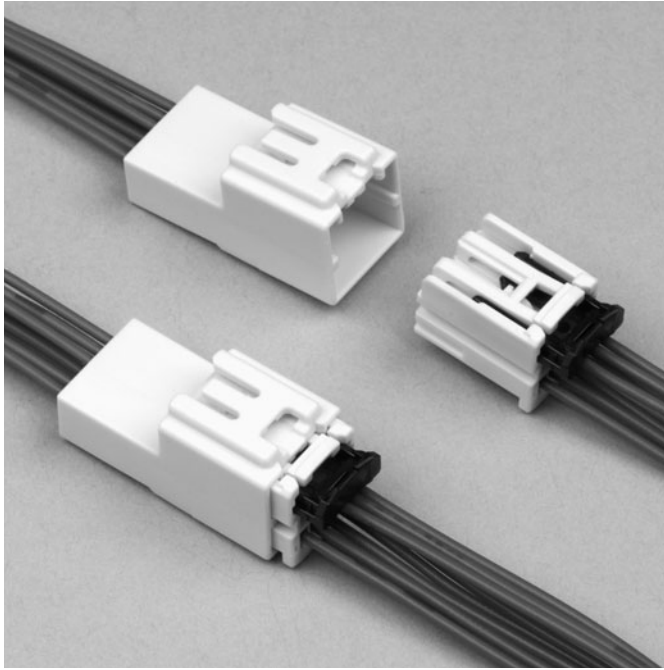
Crimping machine, Applicator

Strip terminal	Crimping machine	Crimp applicator MKS-L	
		Dies	Crimp applicator with dies
SSF-21GW-P1.4	AP-K2N	MK/SSF/M-21-14	APLMK SSF/M21-14

Note: When crimping operation is conducted using an applicator and die set other than the above, JST cannot guarantee the performance of the terminal.

HIC CONNECTOR

Wire-to-wire



This wire-to-wire connector for air-bag has CPA, which allows locking the connector, incomplete mating detection and release of short-circuit at the same time.

Features

● **4 types are available, it enables to select with various specifications to automobile.**

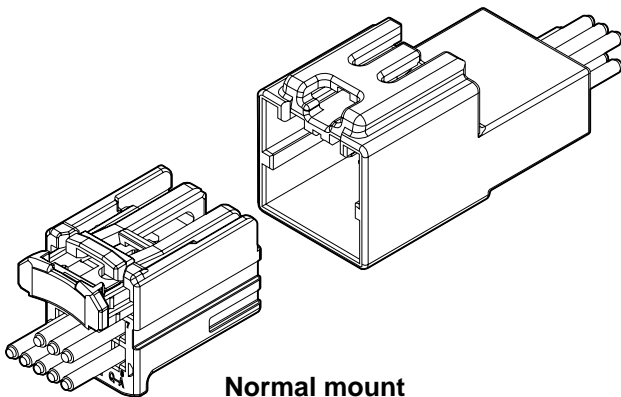
Normal mount, with short terminal
Normal mount, without short terminal
Special mount, with short terminal
Special mount, without short terminal

● **Incomplete mating detection mechanism**

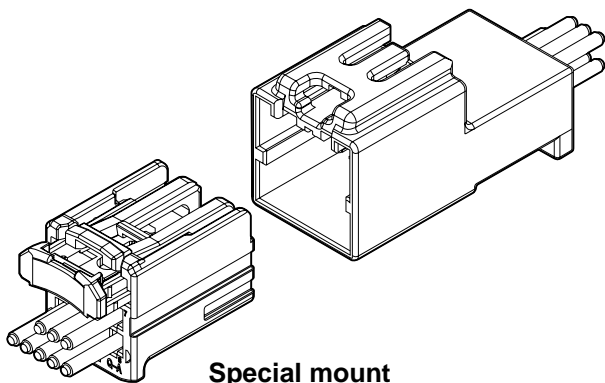
Mis-insertion and insertion error at the assembly line can detect with a CPA housing.

● **Terminal construction**

It is designed to prevent the deformation of the contact part when processing wire harness by protecting the contact part of each terminal with a box.



Normal mount



Special mount

Specifications

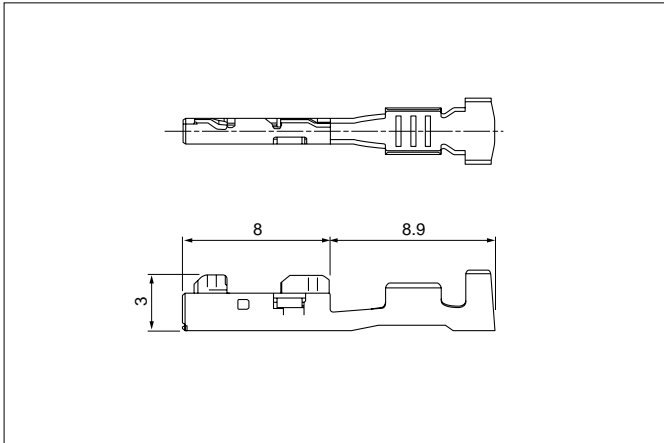
- Current rating: 5A AC, DC (0.5mm², Single circuit)
- Voltage rating: 14V AC, DC
- Temperature range: -40°C to +100°C
(including temperature rise in applying electrical current)
- Contact resistance:
 - Female terminal; Initial value/8mΩ max.
After environmental testing/16mΩ max.
 - Short terminal; Initial value/50mΩ max.
After environmental testing/100mΩ max.
- Insulation resistance: 100MΩ min.
- Withstanding voltage: 1,000V AC/minute
- Applicable wire: AVSS
0.3mm² to 0.5mm²

* Compliant with ELV/RoHS.

* Contact JST for details.

HIC CONNECTOR

Female terminal

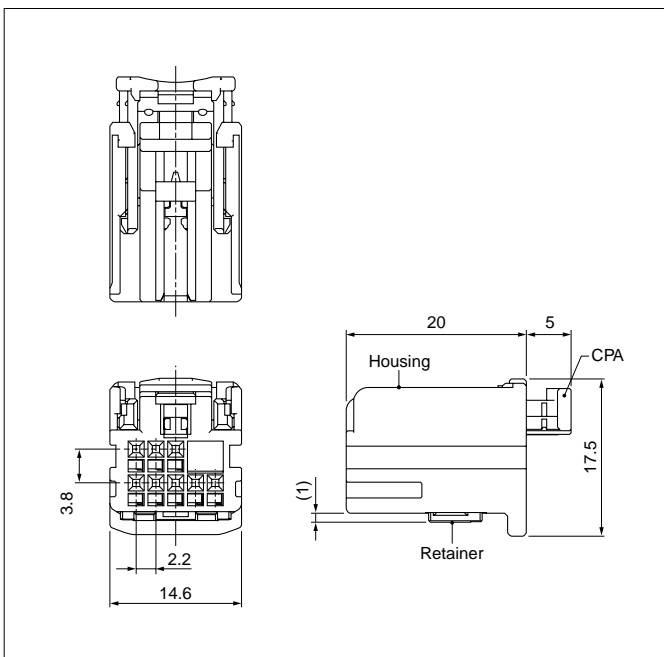


Model No.	Applicable wire range		Q'ty/reel
	Conductor (mm ²)	Insulation O.D. (mm)	
SNAC3-A021GF-M0.64-1	0.3 to 0.5	1.4 to 1.8	7,500

Material and Finish

Copper alloy, nickel-undercoated, Male contact area; gold-plated

Female connector

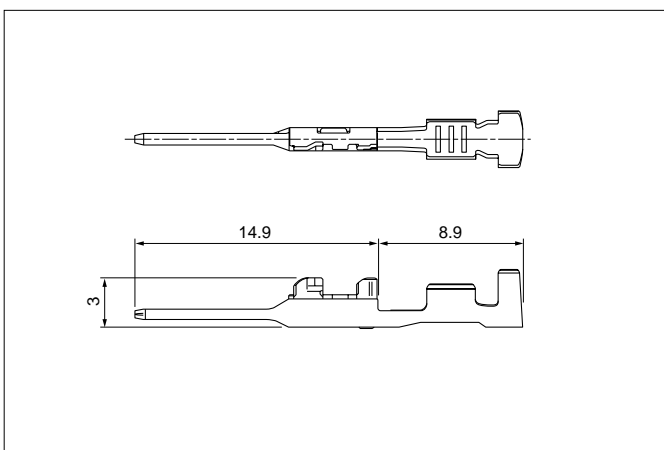


Circuits	Model No.	Q'ty/box
8	08HIC-R-1A	720

Material

Housing: PBT, yellow
Retainer: PBT, black
CPA housing: PBT, black

Male terminal



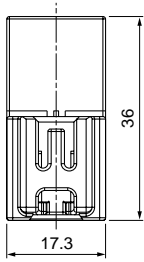
Model No.	Applicable wire range		Q'ty/reel
	Conductor (mm ²)	Insulation O.D. (mm)	
SNAC3W-A021GF-0.64	0.3 to 0.5	1.4 to 1.8	5,000

Material and Finish

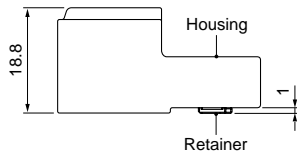
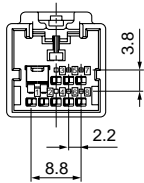
Brass, nickel-undercoated, Female contact area; gold-plated,
Short terminal contact area; gold-plated

Male connector

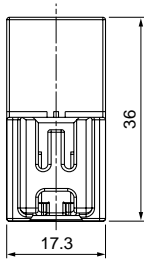
• Normal mount



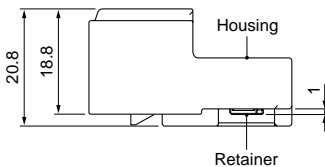
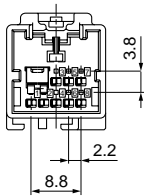
Model No.	
08HIC-P-1A	08HIC-P-1B
With short terminal	Without short terminal



• Special mount



Model No.	
08HIC-P-2A	08HIC-P-2B
With short terminal	Without short terminal



Circuits	Model No.	Q'ty/box
8	08HIC-P-1A	560
	08HIC-P-1B	
	08HIC-P-2A	
	08HIC-P-2B	

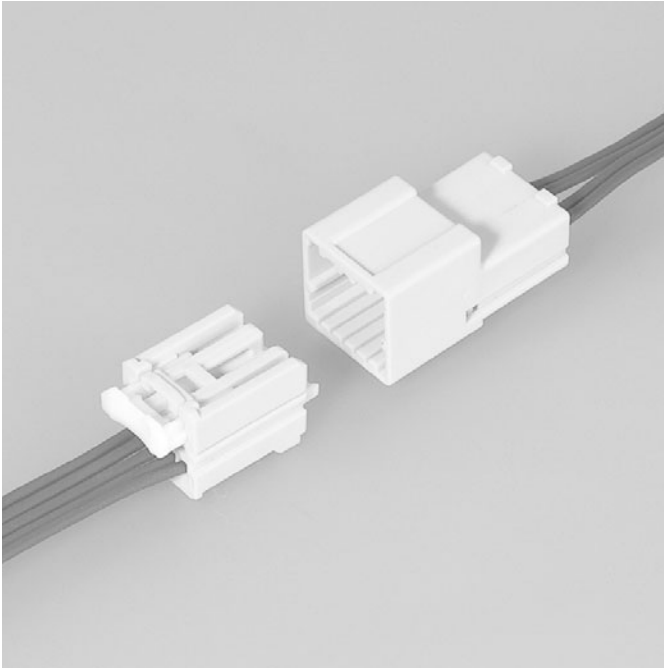
Material and Finish

Housing: PBT, yellow
 Retainer: PBT, black
 Short terminal: Copper alloy, nickel-undercoated,
 Contact area; gold-plated

Crimping machine, Applicator

Strip terminal	Crimping machine	Crimp applicator MKS-L	
		Dies	Crimp applicator with dies
SNAC3-A021GF-M0.64-1	AP-K2N	MK/SNAC3-A021-064	APLMK SNAC3-A021-064
SNAC3W-A021GF-0.64		MK/SNAC3W-A021-064	APLMK SNAC3W-A021-064

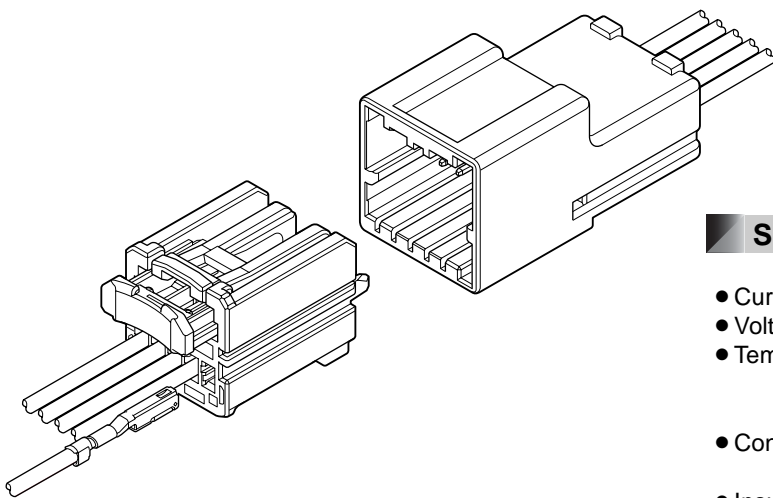
Note: When crimping operation is conducted using an applicator and die set other than the above, JST cannot guarantee the performance of the terminal.



0.64 unsealed wire-to-wire connector with CPA and shorting bar mechanisms for Air-bag application. Providing Connector Position Assurance, positive mating and completion of circuit in one pressing motion.

Features

- 2 Circuits and 5 Circuits, Wire-to-Wire Connection
- Connector Position Assurance (CPA) Mechanism
- Utilize Shorting Bar to protect against accidental electrical discharge
- Pre-set CPA, Pre-Set TPA
- One-action insertion by pushing CPA for complete connection

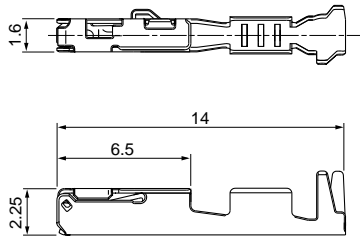


Specifications

- Current rating: 5A DC max.
- Voltage rating: 14V DC
- Temperature range: -40°C to +125°C
(including temperature rise in applying electrical current)
- Contact resistance: Initial value/15mΩ max.
After environmental testing/15mΩ max.
- Insulation resistance: 100MΩ min.
- Applicable Wire: SAE/ AVSS / CAVS
0.3mm² to 0.8mm²

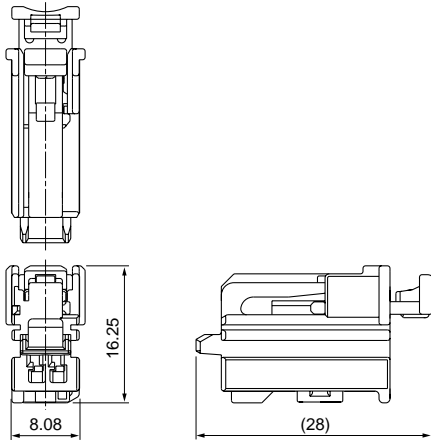
- * Compliant with ELV/RoHS.
- * Contact JST for details.

Female terminal

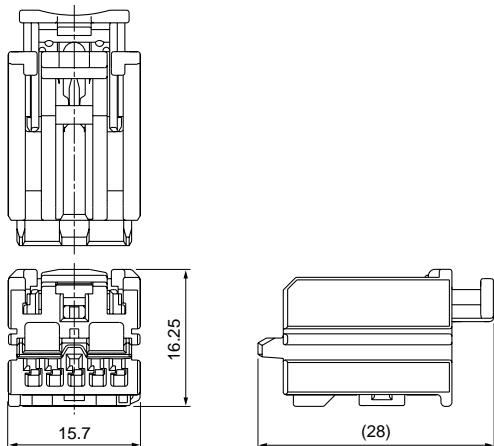


Female connector

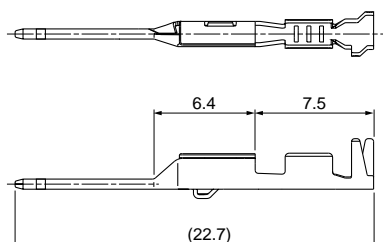
• 2 circuits



• 5 circuits



Male terminal



Model No.	Applicable wire range		Q'ty/reel
	Conductor (mm ²)	Insulation O.D. (mm)	
①SAIT-A03T-M064	0.3 to 0.5	≤1.9	6,500
①SAIT-A02T-M064	0.75 to 0.8	≤1.9	6,500
②SAIT-A03GF-M064	0.3 to 0.5	≤1.9	6,500
②SAIT-A02GF-M064	0.75 to 0.8	≤1.9	6,500

Material and Finish

- ①Copper alloy, tin-plated (reflow treatment)
- ②Copper alloy, nickel-undercoated, Contact area; gold-plated
Barrel area; tin-plated

Circuits	Model No.	Q'ty/box	Color of Retainer and CPA
2	SNAPB-02UN-1FYS	400	Natural (White)
	SNAPB-02UN-1AYK	400	Black
5	SNAPB-05UN-1FYS	200	Natural (White)

Material

Housing: Glass-filled PBT, yellow
Retainer: Glass-filled PBT
CPA: Glass-filled PBT

Model No.	Applicable wire range		Q'ty/reel
	Conductor (mm ²)	Insulation O.D. (mm)	
①SAITW-A03TGG-064	0.3 to 0.5	≤1.9	7,000
①SAITW-A02TGG-064	0.75 to 0.8	≤1.9	7,000
②SAITW-A03GF-064	0.3 to 0.5	≤1.9	7,000
②SAITW-A02GF-064	0.75 to 0.8	≤1.9	7,000

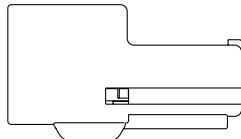
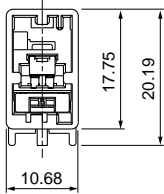
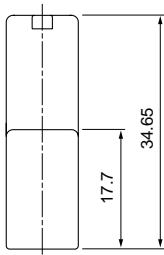
Material and Finish

- ①Brass, nickel-undercoated, Contact area, Barrel area; tin-plated
Contact to Shorting bar area; gold-plated
- ②Brass, nickel-undercoated, Contact area; gold-plated
Barrel area; tin-plated

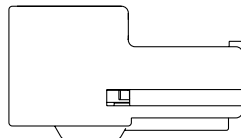
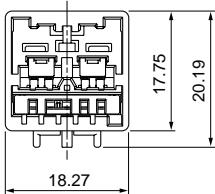
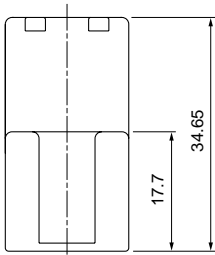
SNA CONNECTOR

Male connector

● 2 circuits



● 5 circuits



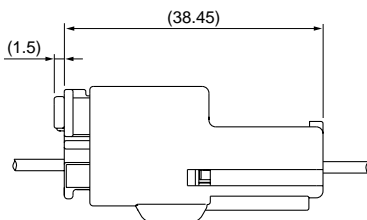
Circuits	Model No.	Q'ty/box	Color of Retainer
2	SNAMB-02UN-1FYS	200	Natural (White)
	SNAMB-02UN-1AYK	200	Black
5	SNAMB-05UN-1FYS	100	Natural (White)

Material and Finish

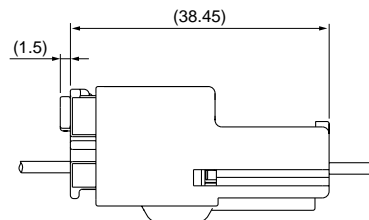
Housing: Glass-filled PBT, yellow
 Retainer: Glass-filled PBT
 Shorting bar: Copper alloy, nickel-undercoated,
 Contact area: gold-plated

Assembly layout

● 2 circuits



● 5 circuits



Note: The dimensions above should serve as guideline. Contact JST for details.

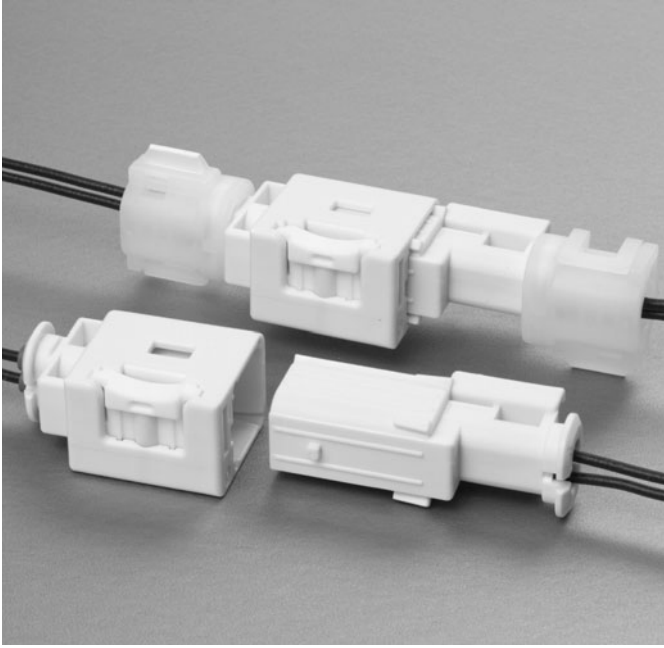
Crimping machine, Applicator

Strip terminal	Crimping machine	Crimp applicator MKS-L	
		Dies	Crimp applicator with dies
SAIT-A03()-M064	AP-K2N	MK/SAIT-A03-064	APLMK SAIT-A03-064
SAIT-A02()-M064		MK/SAIT-A02-064	APLMK SAIT-A02-064
SAITW-A03()-064		MK/SAITW-A03-064	APLMK SAITW-A03-064
SAITW-A02()-064		MK/SAITW-A02-064	APLMK SAITW-A02-064

Note: When crimping operation is conducted using an applicator and die set other than the above, JST cannot guarantee the performance of the terminal.

SAB CONNECTOR

Wire-to-wire

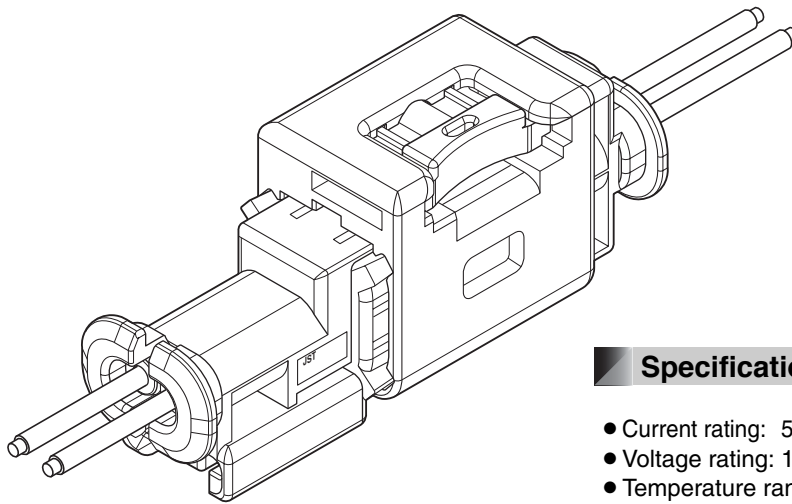


Features

- **0.64mm Sealed Connector for Air-bag Application**
- **Anti Vibration Mechanism**
High reliability Rigid connector enables to keep higher durability at shock and vibrated environment.
- **Fool Proof Systems**
Compression Spring prevents Half Connecting.

0.64mm individual sealed wire-to-wire connector with Rigid Design and Spring Lock Mechanism for Air-bag application.

Spring force prevents Half-mating during mating and keeps constant Rigid connection between Male and Female connector.

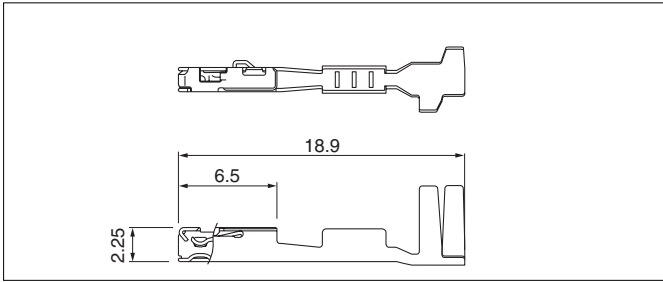


Specifications

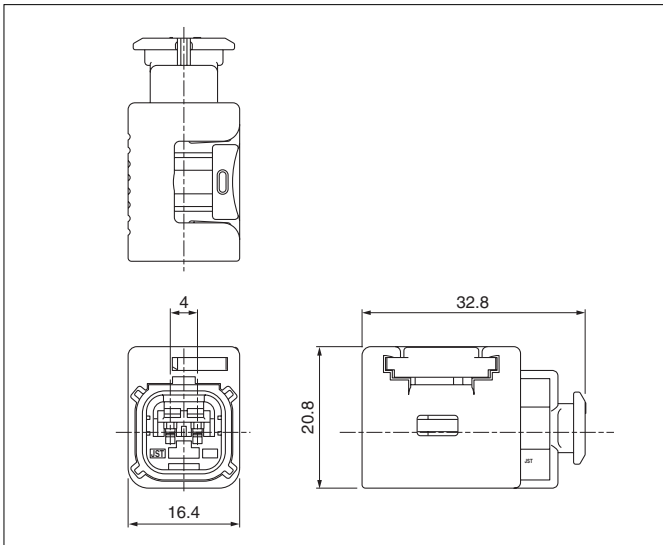
- Current rating: 5A DC max.
- Voltage rating: 14V DC
- Temperature range: -40°C to +80°C
(including temperature rise in applying electrical current)
- Contact resistance: Initial value/10mΩ max.
After environmental testing/20mΩ max.
- Insulation resistance: 100MΩ min.
- Withstanding voltage: 1,000V AC/minute
- Applicable wire: AVSS
0.3mm² to 0.5mm²

- * Compliant with ELV/RoHS.
- * Contact JST for details.

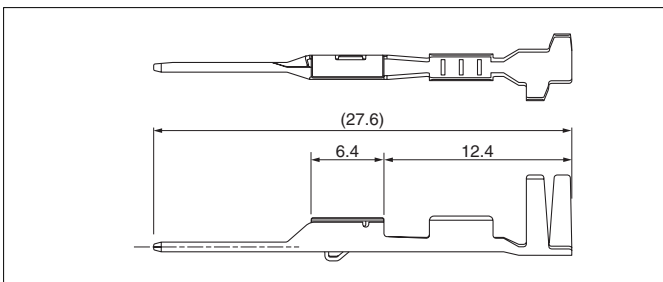
Female terminal



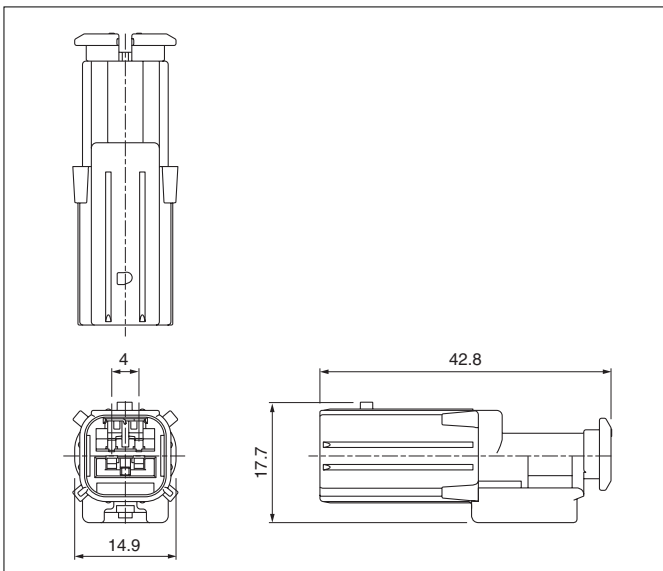
Female connector



Male terminal



Male connector



Model No.	Applicable wire range		Q'ty/reel
	Conductor (mm ²)	Insulation O.D. (mm)	
SAITS-A03GF-M064	0.3 to 0.5	1.2 to 1.6	3,500

Material and Finish

Copper alloy, nickel-undercoated, Contact area; gold-plated
Barrel area; tin-plated

Circuits	Model No.	Q'ty/box
2	SABRB-02-1A-Y	125

Material and Finish

Housing: Glass-filled PBT, yellow
Slider: Glass-filled PBT, natural (white)
Retainer: Glass-filled PBT, natural (white)
Spring: SUS
Inner seal: Silicone

Model No.	Applicable wire range		Q'ty/reel
	Conductor (mm ²)	Insulation O.D. (mm)	
SAITWS-A03GF-064	0.3 to 0.5	1.2 to 1.6	3,500

Material and Finish

Brass, nickel-undercoated, Contact area; gold-plated
Barrel area; tin-plated

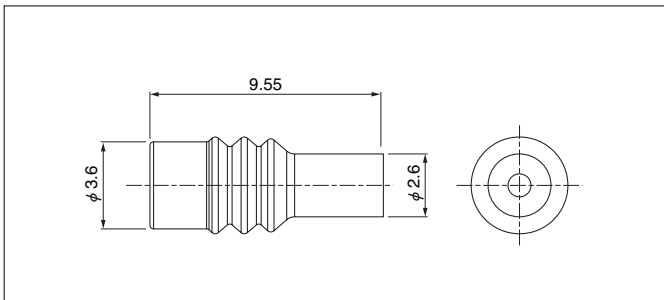
Circuits	Model No.	Q'ty/box
2	SABPB-02-1A-Y	125

Material and Finish

Housing: Glass-filled PBT, yellow
Retainer: Glass-filled PBT, natural (white)
Short terminal: Copper alloy, nickel-undercoated, Contact area; gold-plated
Barrel area; tin-plated

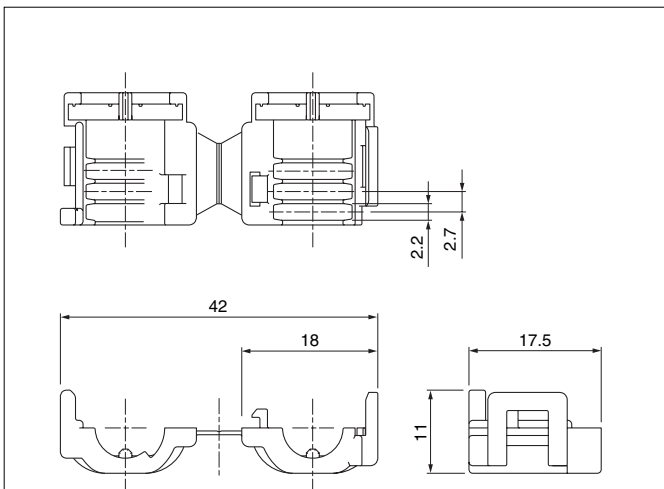
SAB CONNECTOR

Wire seal



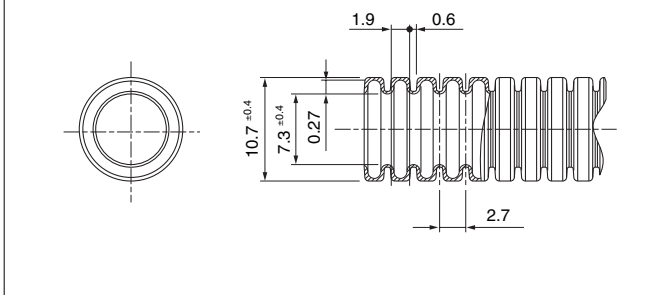
Model No.	Applicable wire range		Q'ty/box
	Conductor (mm ²)	Insulation O.D. (mm)	
A03WS-SAB-N	0.3 to 0.5	1.2 to 1.6	10,000
Material			
Silicone			

Cover

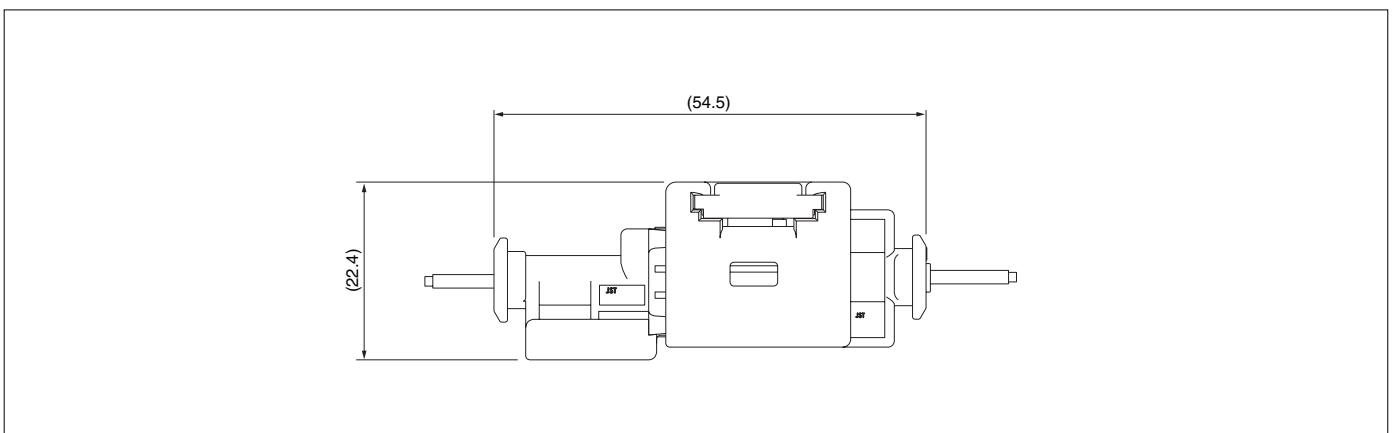


Model No.	Q'ty/box
SABC-02-1A-W	200
Material and Finish	
PP, natural (white)	

Recommended Corrugate Tube Layout

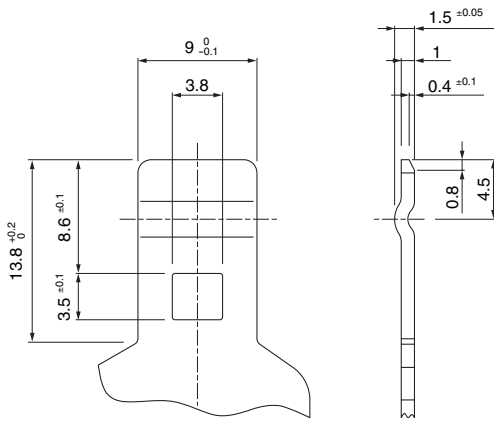


Assembly layout

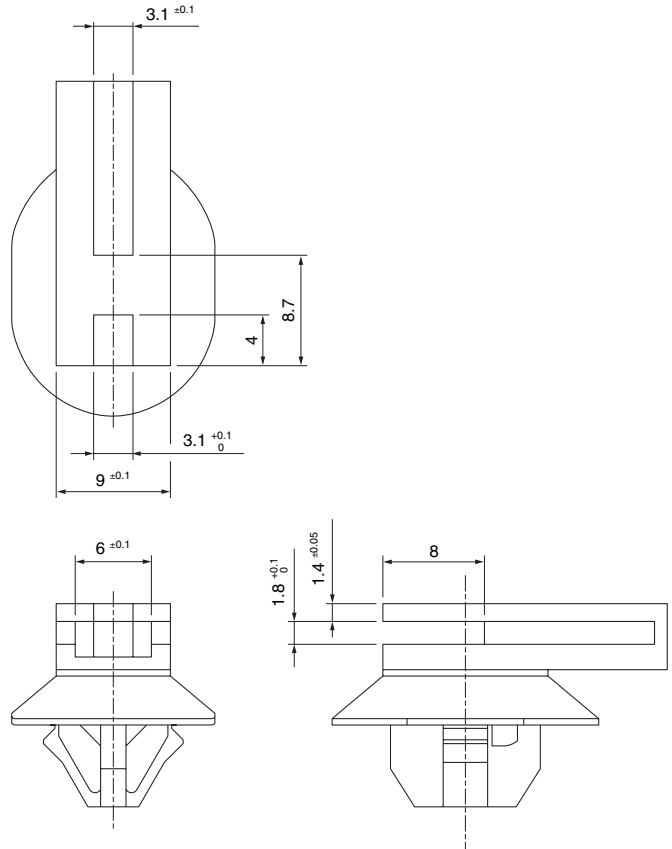


Cassette layout

Recommended Bracket Layout



Recommended Clip Layout

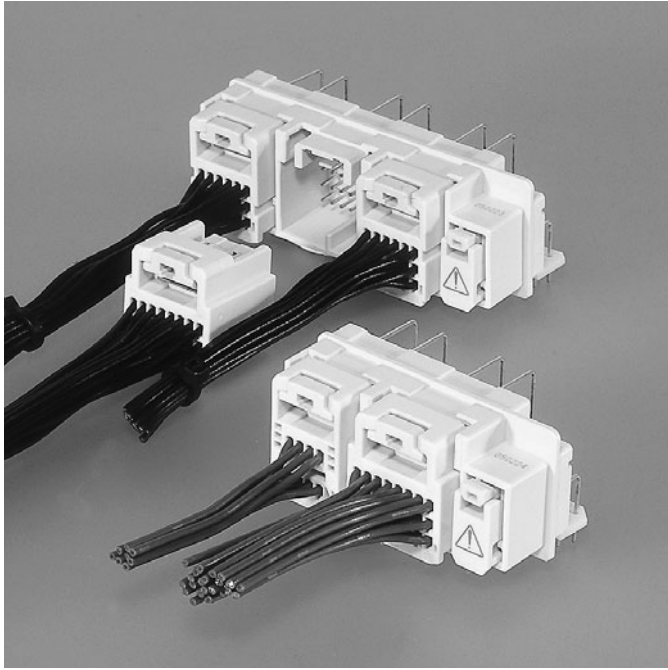


Note: The dimensions above should serve as guideline. Contact JST for details.

Crimping machine, Applicator

Strip terminal	Crimping machine	Crimp applicator MKS-L	
		Dies	Crimp applicator with dies
SAITS-A03GF-M064	AP-K2N	MK/SAITS-A03-064	APLMK SAITS-A03-064
SAITWS-A03GF-064		MK/SAITWS-A03-064	APLMK SAITWS-A03-064

Note: When crimping operation is conducted using an applicator and die set other than the above, JST cannot guarantee the performance of the terminal.



Features

●Two types circuits

60 circuit and 36 circuit types are available, and the specifications matched to the automobile are selectable.

●Incomplete mating detection mechanism

Mis-insertion and insertion error at the assembly line can detect with a CPA terminal.

●Terminal construction

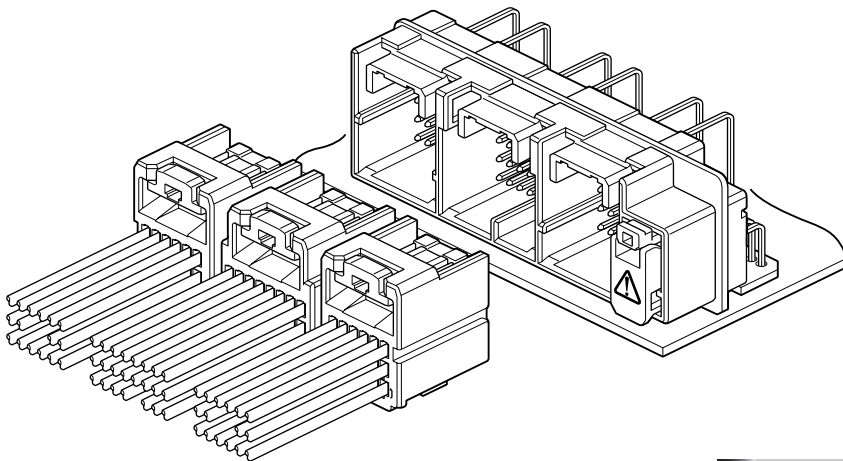
It is designed to prevent the deformation of the contact area when processing wire harness by protecting the contact area of each terminal with a box.

●Press-fit

There are dip type and press-fit type in the male connector.

The miniaturization is realized as air-bag ECU I/O connector for automobile.

This product has various circuit development and several adoption results proven, hence it enables to select the type to meet the automobile.



Specifications

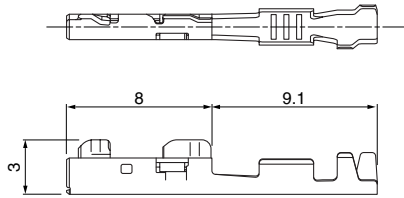
- Current rating: 5A AC, DC (0.5mm², Single circuit)
- Voltage rating: 50V AC, DC
- Temperature range: -40°C to +105°C
(including temperature rise in applying electrical current)
- Contact resistance: Initial value/8mΩ max.
After environmental testing/16mΩ max.
- Insulation resistance: 100MΩ min.
- Withstanding voltage: 100V DC/minute
- Applicable wire: AVSS/CAVS
0.64 Terminal S; 0.3mm² to 0.5mm²
CHFUS
0.64 Terminal SSS/SS; 0.13mm² to 0.35mm²

* Compliant with ELV/RoHS.

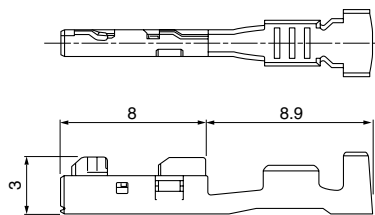
* Contact JST for details.

Female terminal

• 0.64 Female terminal SSS/SS



• 0.64 Female terminal S



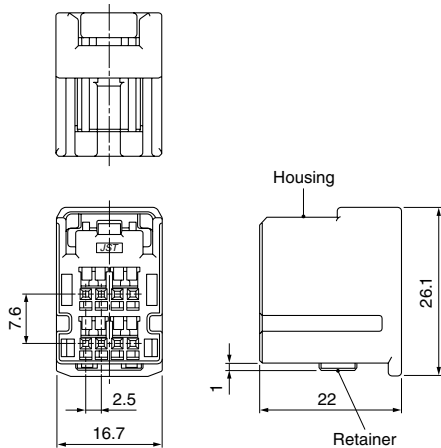
Terminal	Model No.	Applicable wire range		Q'ty/reel
		Conductor (mm ²)	Insulation O.D. (mm)	
0.64 SSS	① SNAC3-A001T-M0.64	0.13	0.85	6,000
0.64 SS	① SNAC3-A011T-M0.64	0.22 to 0.35	0.95 to 1.10	5,000
0.64 S	① SNAC3-A021T-M0.64	0.3 to 0.5	1.4 to 1.8	5,000
	② SNAC3-A021GI-M0.64-1			
	③ SNAC3-A021GF-M0.64-1			

Material and Finish

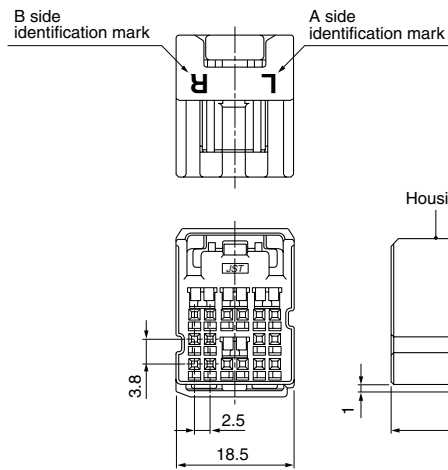
- ① Copper alloy, tin-plated (reflow treatment)
- ② Copper alloy, nickel-undercoated,
Male contact area; tin-plated (reflow treatment)
Short terminal contact area; gold-plated
- ③ Copper alloy, nickel-undercoated,
Male contact area; gold-plated
Short terminal contact area; gold-plated

Female connector

• 8 circuits

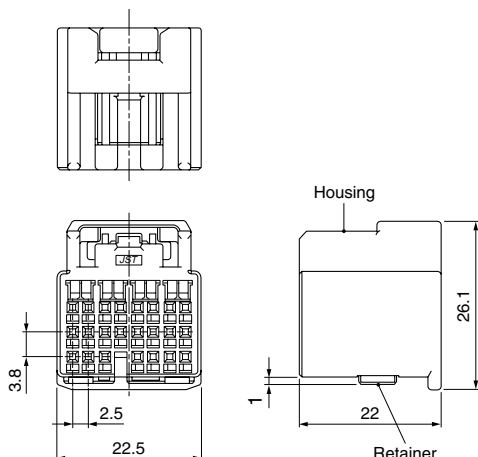


• 16 circuits



Model No.	
16CIT-B-1A	16CIT-B-2A
A figure	B figure

• 23 circuits



Circuits	Model No.	Q'ty/box
8	08CIT-B-1A	84
16	16CIT-B-1A	72
	16CIT-B-2A	72
23	23CIT-B-1A	60

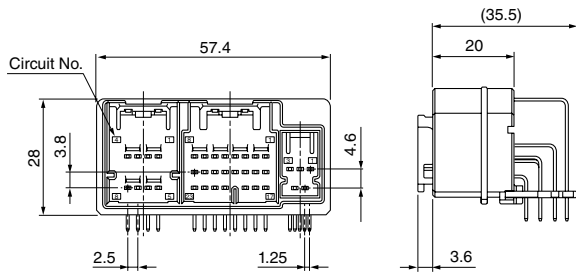
Material and Finish

- Housing: PBT, yellow
- Lock housing: Glass-filled PBT, yellow
- Short terminal: Copper alloy, nickel-undercoated,
Contact area; gold-plated
- CPA terminal: Copper alloy, nickel-undercoated,
Contact area; gold-plated
- Retainer: PBT, natural (white)

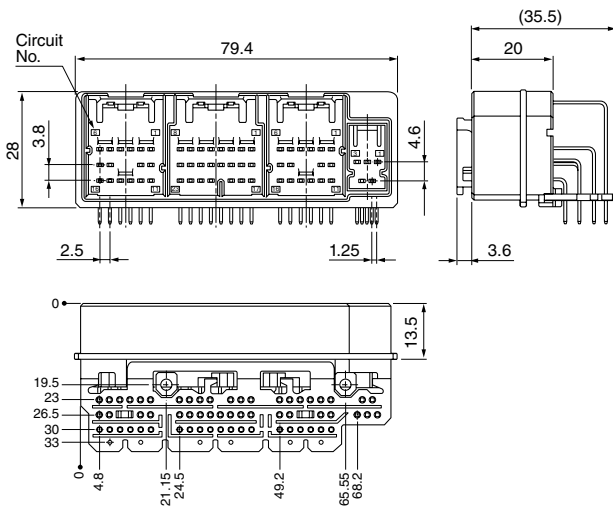
Male connector

Dip type

● 36 circuits

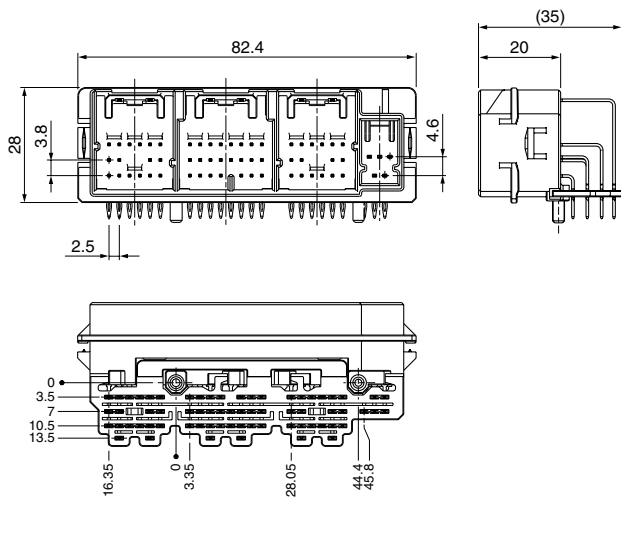


● 60 circuits



Press-fit type

● 60 circuits



Dip type

Circuits	Model No.	Q'ty/box
36	S36B-CITYTP-01B	126
60	S60B-CITYTP-01B	98

Material and Finish

0.64 pin: Brass, nickel-undercoated, tin-plated (reflow treatment)
 1.0 pin: Brass, nickel-undercoated, tin-plated (reflow treatment)
 CPA pin: Brass, nickel-undercoated, Contact area; gold-plated
 Solder tail; tin-plated (reflow treatment)

Housing: Glass-filled PBT, yellow
 Tine-plate: Glass-filled PBT, natural (white)
 Protect cap: PBT, yellow

Press-fit type

Circuits	Model No.	Q'ty/box
60	S60B-CITYTP-P-04B	60

Material and Finish

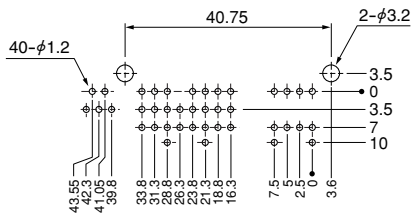
0.64 pin(S, M): Phosphor bronze, nickel-undercoated, tin-plated (reflow treatment)
 0.64 pin(L): Phosphor bronze, nickel-undercoated, Contact area; gold-plated
 Press-fit area; tin-plated (reflow treatment)
 1.0 pin(S, M): Phosphor bronze, nickel-undercoated, tin-plated (reflow treatment)
 CPA pin: Phosphor bronze, nickel-undercoated, Contact area; gold-plated
 Press-fit area; tin-plated (reflow treatment)

Housing: Glass-filled PBT, yellow
 Tine-plate: Glass-filled PBT, natural (white)
 Protect cap: PBT, yellow

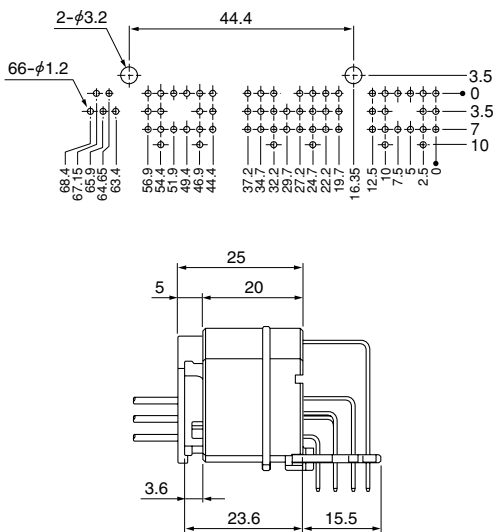
PC board layout, Assembly layout

Dip type

● 36 circuits

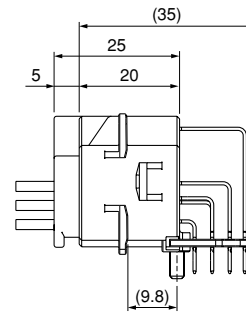
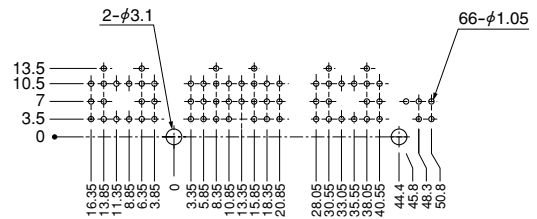


● 60 circuits



Press-fit type

● 60 circuits



Note: 1. Tolerances are non-cumulative: $\pm 0.05\text{mm}$ for all centers.
 2. Hole dimensions differ according to the type of PC board and piercing method.
 The dimensions above should serve as guideline. Contact JST for details.

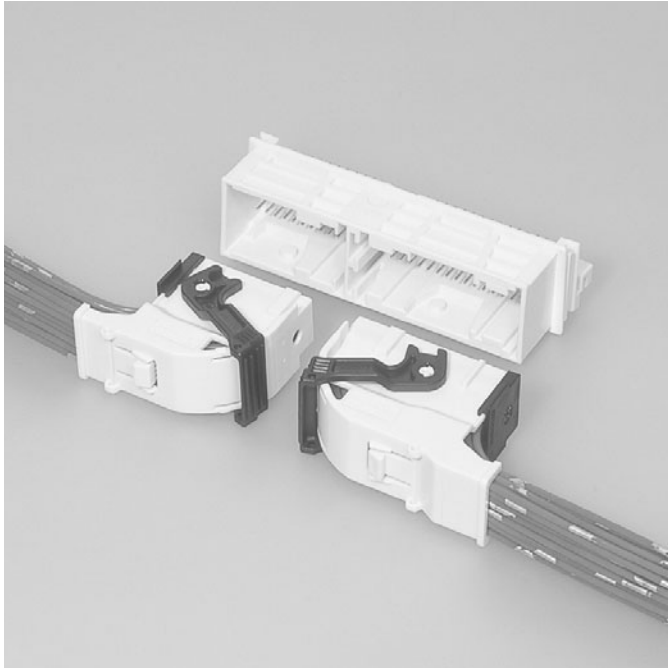
Crimping machine, Applicator, Hand crimp tool

Strip terminal	Crimping machine	Crimp applicator MKS-L		Hand crimp tool	Applicable wire
		Dies	Crimp applicator with dies		
SNAC3-A001T-M0.64	AP-K2N	MK/SNAC3-A001-064	APLMK SNAC3-A001-064	—	—
SNAC3-A011T-M0.64		MK/SNAC3-A011-064	APLMK SNAC3-A011-064	—	—
SNAC3-A021T-M0.64		MK/SNAC3-A021-064	APLMK SNAC3-A021-064	YRK-1003	AVSS0.5, CAVS0.5
SNAC3-A021GI-M0.64-1				—	—
SNAC3-A021GF-M0.64-1				—	—

Note: When crimping operation is conducted using an applicator and die set other than the above, JST cannot guarantee the performance of the terminal.

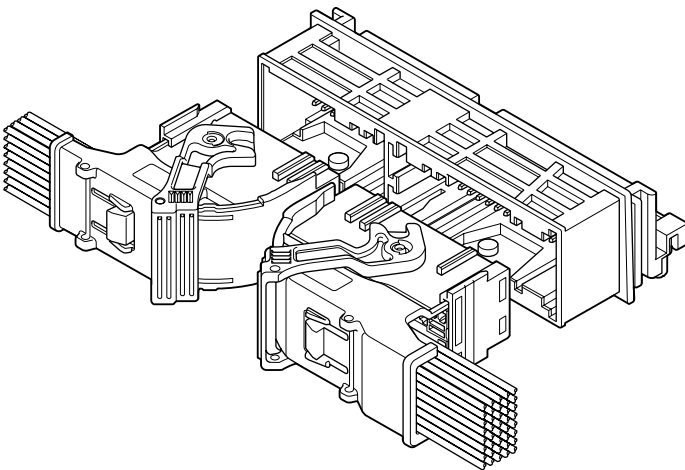
GIT CONNECTOR (80P type)

Board-to-wire



This connector is realized the miniaturization as air-bag ECU for automobile and low insertion force by using lever.

This connector has the various pin arrangement/ color/key code corresponding to needs, hence the connector type suitable for the vehicle can be selected.



Features

●Variation

Contact JST for pin arrangement/housing color/key code.

●Terminal construction

It is designed to prevent the deformation of contact area when processing wire harness by separate area of each terminal box and spring contact.

The contact stabilization is achieved by two spring contact area constructions.

●Mating

The lever mechanism is adopted to decrease the insertion force in mating male and female.

Specifications

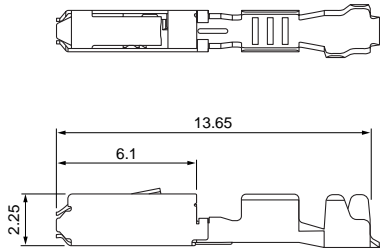
- Current rating: 5A AC, DC (0.5mm², Single circuit)
- Voltage rating: 14V AC, DC
- Temperature range: -40°C to +85°C
(including temperature rise in applying electrical current)
- Contact resistance:
 - Female terminal; Initial value/10mΩ max.
After environmental testing/20mΩ max.
 - Short terminal; Initial value/50mΩ max.
After environmental testing/100mΩ max.
- Insulation resistance: 100MΩ min.
- Withstanding voltage: 1,000V AC/minute
- Applicable wire: AVSS
0.5mm²

* Compliant with ELV/RoHS.

* Contact JST for details.

GIT(80P type) CONNECTOR

Female terminal



Model No.	Applicable wire range		Q'ty/reel
	Conductor (mm ²)	Insulation O.D. (mm)	
SGIT-A021GF-MS0.64	0.5	1.7	7,500

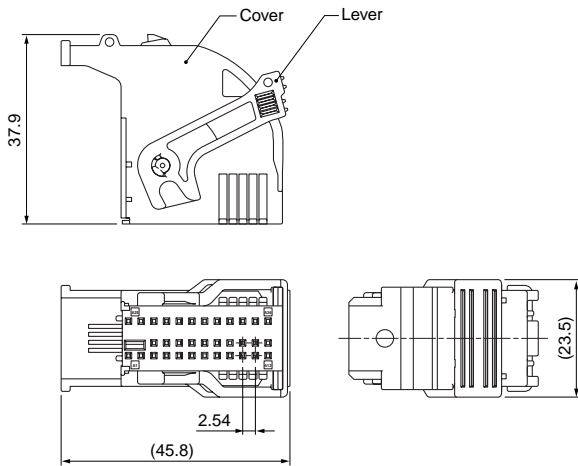
Material and Finish

Terminal box: Stainless
Terminal: Copper alloy, nickel-undercoated, Contact area; gold-plated
Barrel area; gold-plated

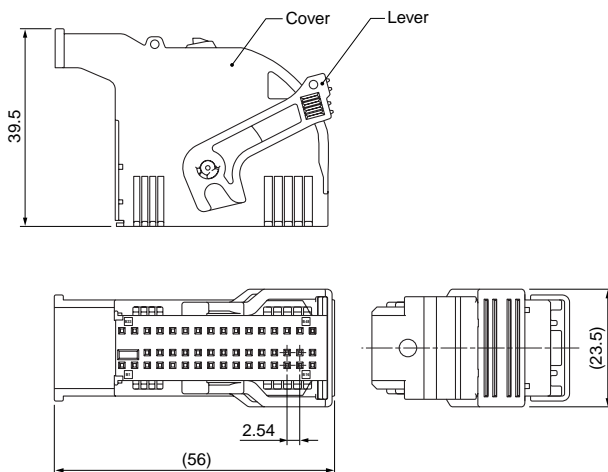
Female connector

Cover housing assembly

● 34 circuits



● 46 circuits



Circuits	Model No.	Q'ty/box
34	34GIT-B-1A-01	400
46	46GIT-B-1A-01	400

Material

Cover housing: Glass-filled PBT, yellow
Lever: Glass-filled PBT, black

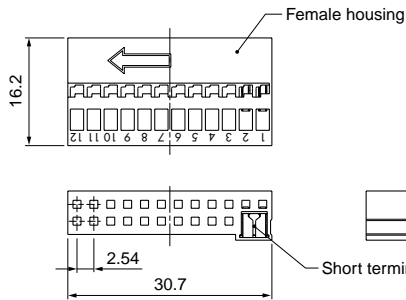
Note: Color/Key codes other than above-mentioned housing are also available.
Contact JST for details.

GIT(80P type) CONNECTOR

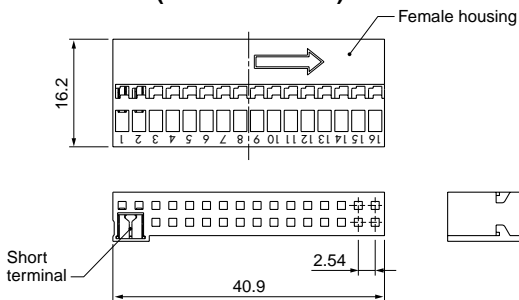
Female connector

Female housing assembly

• 22 circuits (34 circuits side)

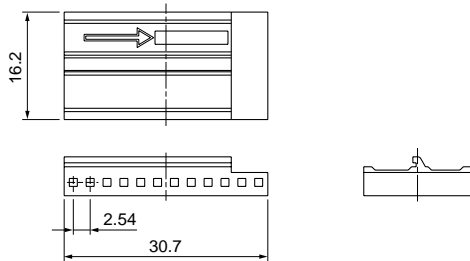


• 30 circuits (46 circuits side)

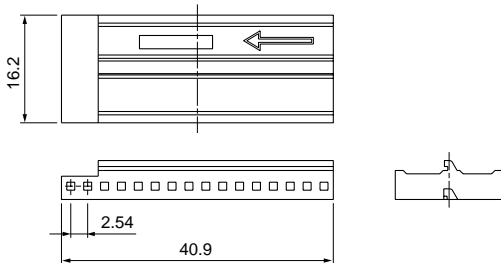


Female housing

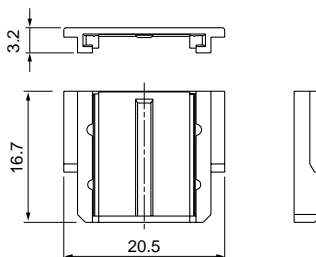
• 12 circuits (34 circuits side)



• 16 circuits (46 circuits side)



Sliding cover



Circuits	Model No.	Q'ty/box
22	22GIT-B-1A	1,600
30	30GIT-B-1A	1,600

Material and Finish

Female housing: Glass-filled PBT, black
 Short terminal: Copper alloy, nickel-undercoated,
 Contact area: gold-plated

Circuits	Model No.	Q'ty/box
12	GITR-12H-1A-K	3,200
16	GITR-16H-1A-K	3,200

Material

Glass-filled PBT, black

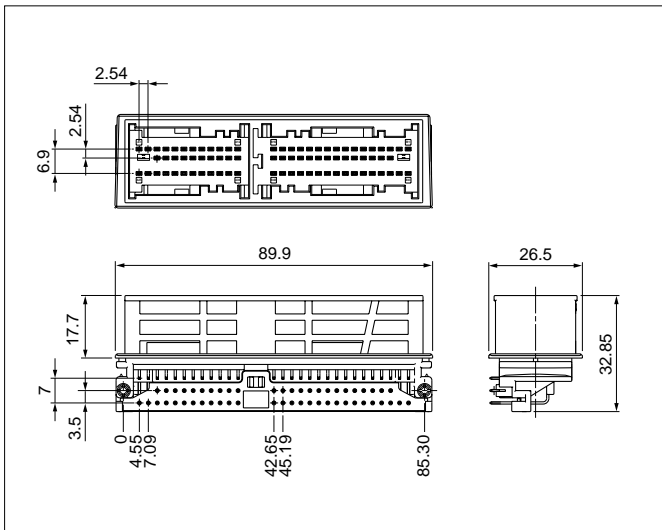
Model No.	Q'ty/box
GITSL-H-1A-K	9,600

Material

PBT, black

GIT(80P type) CONNECTOR

Male connector



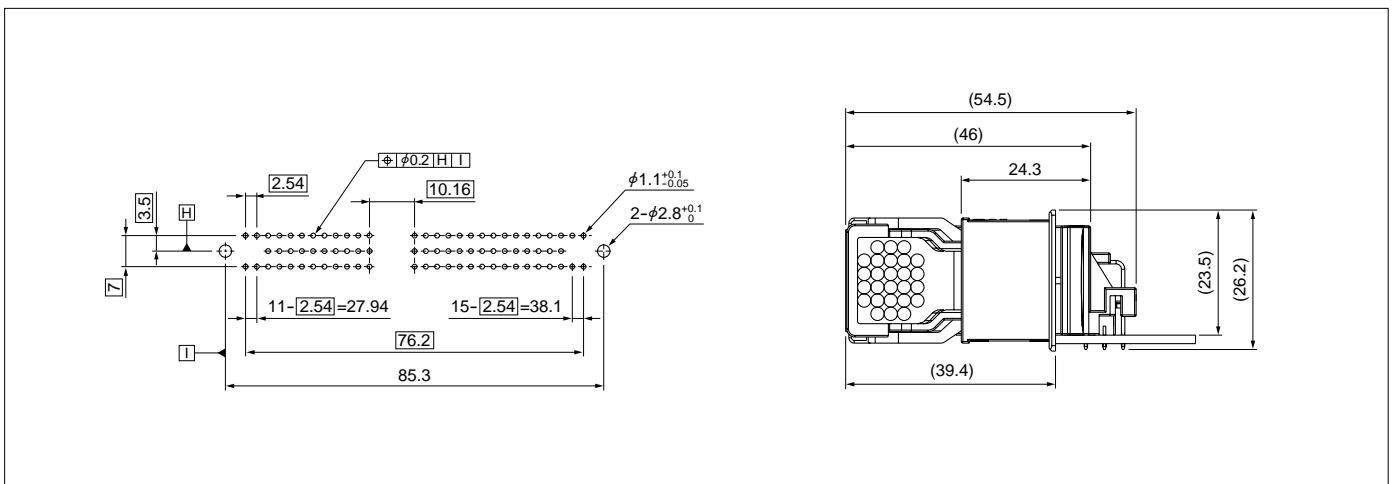
Model No.	Q'ty/box
S51B-GIT01-1A	160

Material and Finish

Male housing: Glass-filled PBT, yellow
Tine-plate: Glass-filled PBT, black
Pin: Copper alloy, nickel-undercoated, tin-plated,
Contact area; gold-plated

Note: Color/Key codes other than above-mentioned housing are also available.
Up to maximum 80 circuits are available. Contact JST for details.

PC board layout, Assembly layout



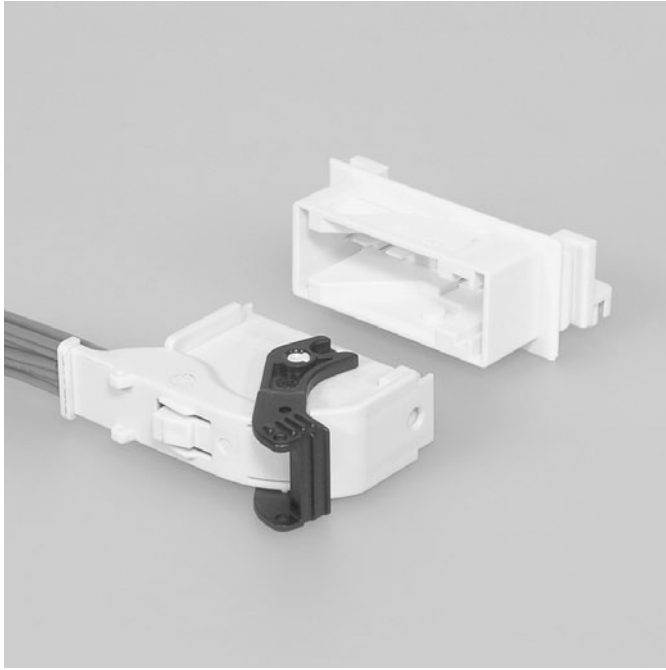
Crimping machine, Applicator

Strip terminal	Crimping machine	Crimp applicator MKS-L		Applicable wire
		Dies	Crimp applicator with dies	
SGIT-A021GF-MS0.64	AP-K2N	MK/SGIT-A021-064	APLMK SGIT-A021-064	AVSS0.5

Note: When crimping operation is conducted using an applicator and die set other than the above, JST cannot guarantee the performance of the terminal.

GIT CONNECTOR (18P type)

Board-to-wire



Features

●Variation

Contact JST for housing color/key code.

●Terminal construction

It is designed to prevent the deformation of contact area when processing wire harness by separate area of each terminal box and spring contact.

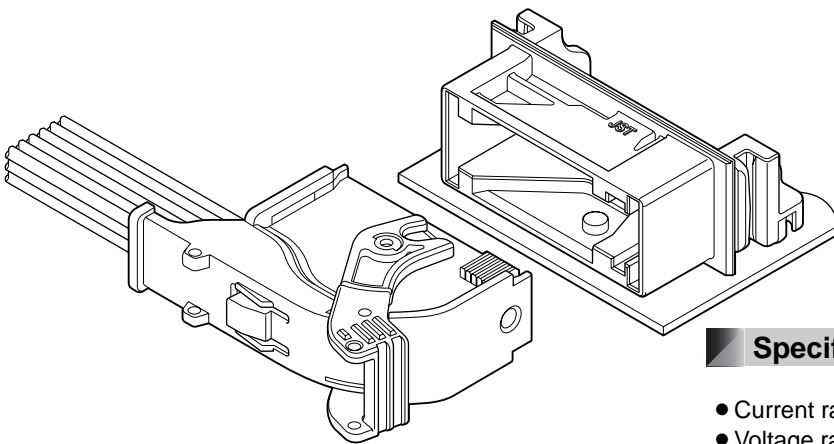
The contact stabilization is achieved by two spring contact area constructions.

●Mating

The lever mechanism is adopted to decrease the insertion force in mating male and female.

This connector is realized the miniaturization as air-bag ECU for automobile and low insertion force by using lever.

This connector has the various color/key code corresponding to needs, hence the connector type suitable for the vehicle can be selected.



Specifications

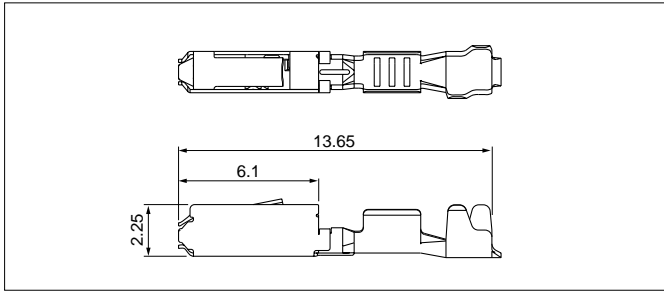
- Current rating: 5A AC, DC (0.5mm², Single circuit)
- Voltage rating: 14V AC, DC
- Temperature range: -40°C to +85°C
(including temperature rise in applying electrical current)
- Contact resistance:
Female terminal; Initial value/10mΩ max.
After environmental testing/20mΩ max.
- Insulation resistance: 100MΩ min.
- Withstanding voltage: 1,000V AC/minute
- Applicable wire: AVSS
0.5mm²

* Compliant with ELV/RoHS.

* Contact JST for details.

GIT(18P type) CONNECTOR

Female terminal



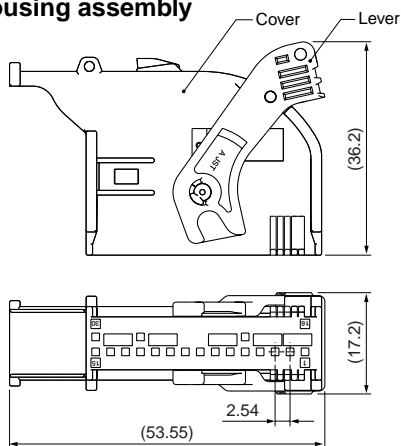
Model No.	Applicable wire range		Q'ty/reel
	Conductor (mm ²)	Insulation O.D. (mm)	
SGIT-A021GF-MS0.64	0.5	1.7	7,000

Material and Finish

Terminal box: Stainless
Terminal: Copper alloy, nickel-undercoated, Contact area; gold-plated
Barrel area; gold-plated

Female connector

Cover housing assembly



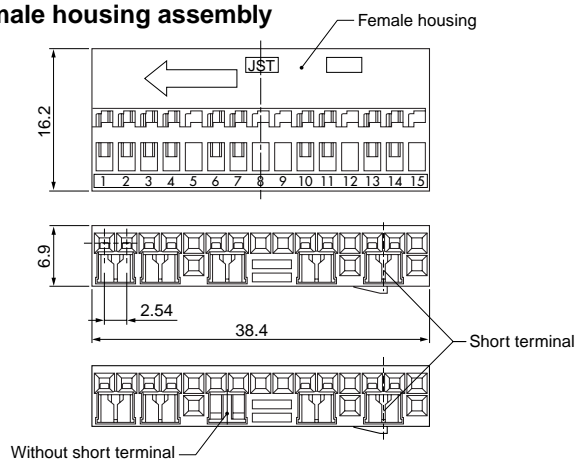
Model No.	Q'ty/box	Color
18GIT-CL-1A-01-01	600	Yellow

Material

Cover housing: Glass-filled PBT, yellow
Lever: Glass-filled PBT, black

Note: Color/Key codes other than above-mentioned housing are also available. Contact JST for details.

Female housing assembly

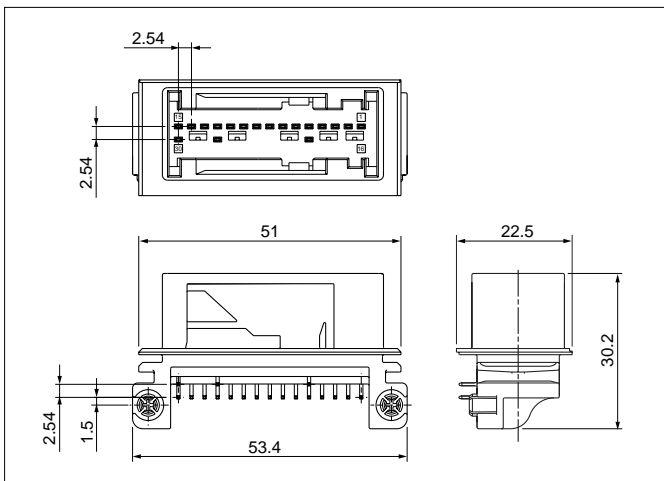


Model No.	Q'ty/box	No. of short terminals
18GIT-RS-1A-Y	2,000	5
18GIT-RS-2A-Y	2,000	4

Material and Finish

Short terminal: Copper alloy, nickel-undercoated, Contact area; gold-plated

Male connector



Model No.	Q'ty/box	Color
S18B-GIT01-1A-01	240	Yellow

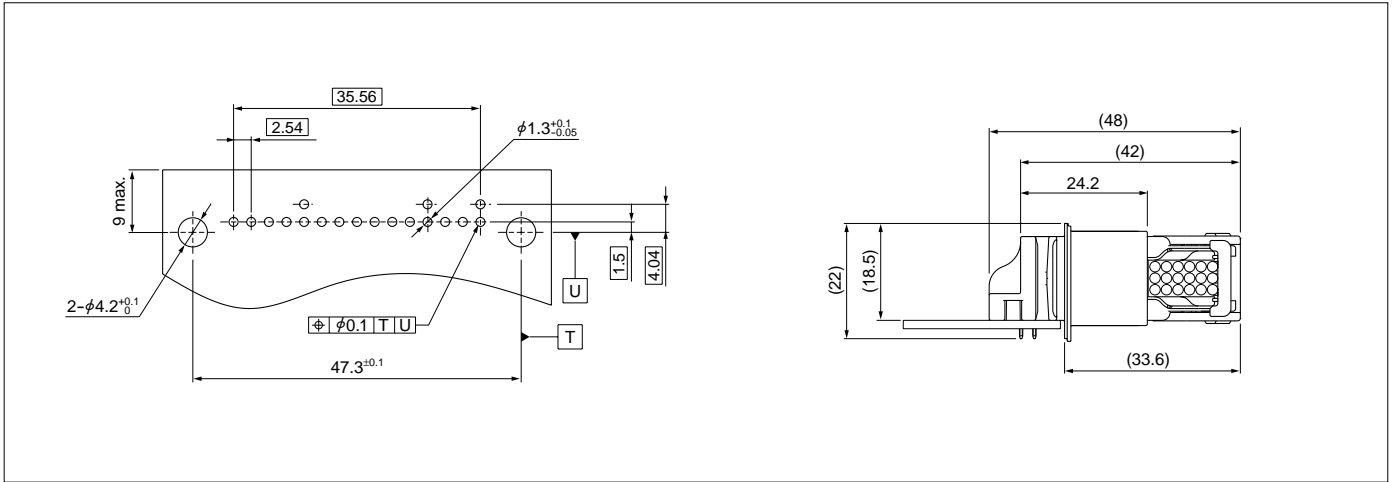
Material and Finish

Male housing: Glass-filled PBT, yellow
Pin: Copper alloy, nickel-undercoated, tin-plated, Contact area; gold-plated

Note: Color/Key codes other than above-mentioned housing are also available. Contact JST for details.

GIT(18P type) CONNECTOR

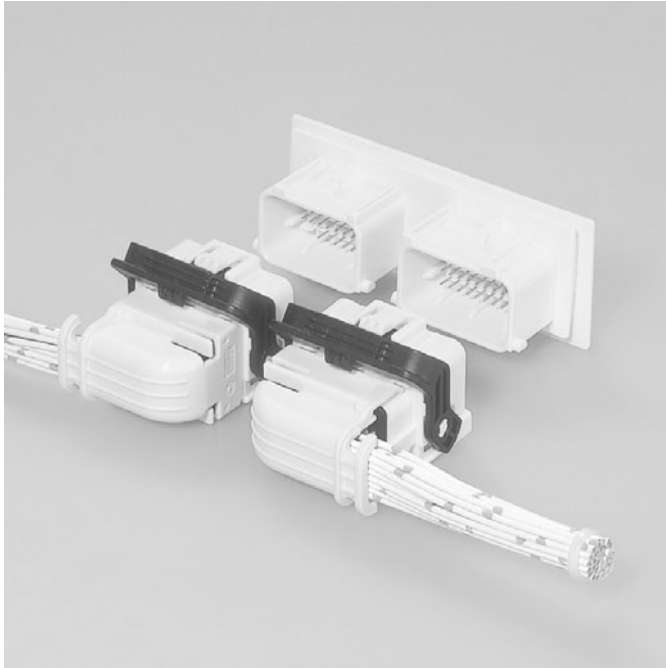
PC board layout, Assembly layout



Crimping machine, Applicator

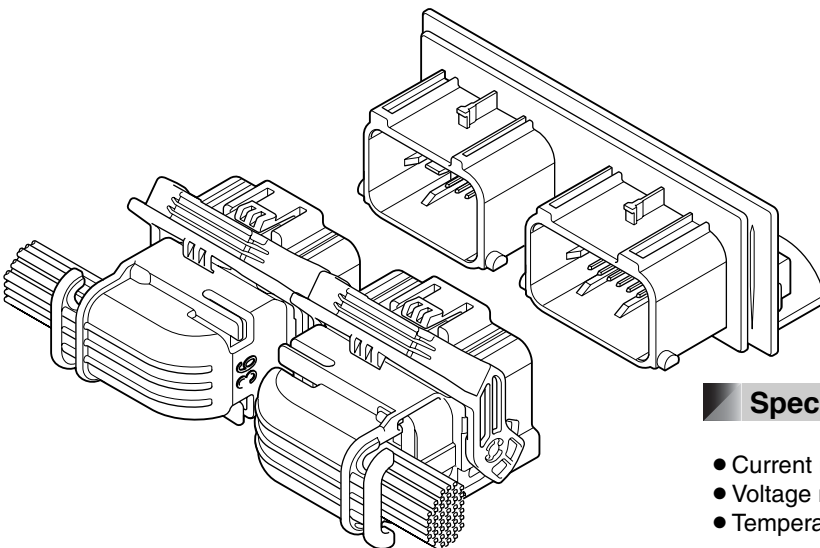
Strip terminal	Crimping machine	Crimp applicator MKS-L		Applicable wire
		Dies	Crimp applicator with dies	
SGIT-A021GF-MS0.64	AP-K2N	MK/SGIT-A021-064	APLMK SGIT-A021-064	AVSS0.5

Note: When crimping operation is conducted using an applicator and die set other than the above, JST cannot guarantee the performance of the terminal.



This is ECU I/O connector for automobile air-bag of the miniaturization and sealed type.

This connector has the various pin arrangement/color/key code/PC board connecting method corresponding to needs, hence the connector type suitable for the vehicle can be selected.



Features

●Variation

Contact JST for pin arrangement/housing color/key code. Dip type and press-fit type are available for connecting at PC board side.

●Terminal construction

It is designed to prevent the deformation of contact area when processing wire harness by protecting contact area of each terminal box.

●Mating

CPA adopted. It enables the connector to be locked securely and prevents incomplete mating on the assembly line resulting in improved connector retention force. The lever mechanism is adopted to decrease the insertion force in mating male and female.

●Sealed

Mat seal is adopted for improving the workability of harness assembling.

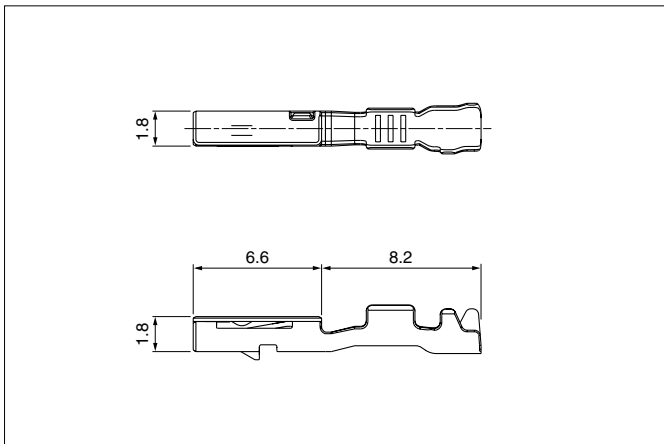
Specifications

- Current rating: 5A AC, DC (0.5mm², Single circuit)
- Voltage rating: 14V AC, DC
- Temperature range: -40°C to +85°C
(including temperature rise in applying electrical current)
- Contact resistance:
 - Female terminal; Initial value/10mΩ max.
After environmental testing/20mΩ max.
 - Short terminal; Initial value/50mΩ max.
After environmental testing/100mΩ max.
- Insulation resistance: 250MΩ min.
- Withstanding voltage: 1,000V AC/minute
- Applicable wire: AVSS/ AESSX (F)
0.5mm²

* Compliant with ELV/RoHS.

* Contact JST for details.

Female terminal

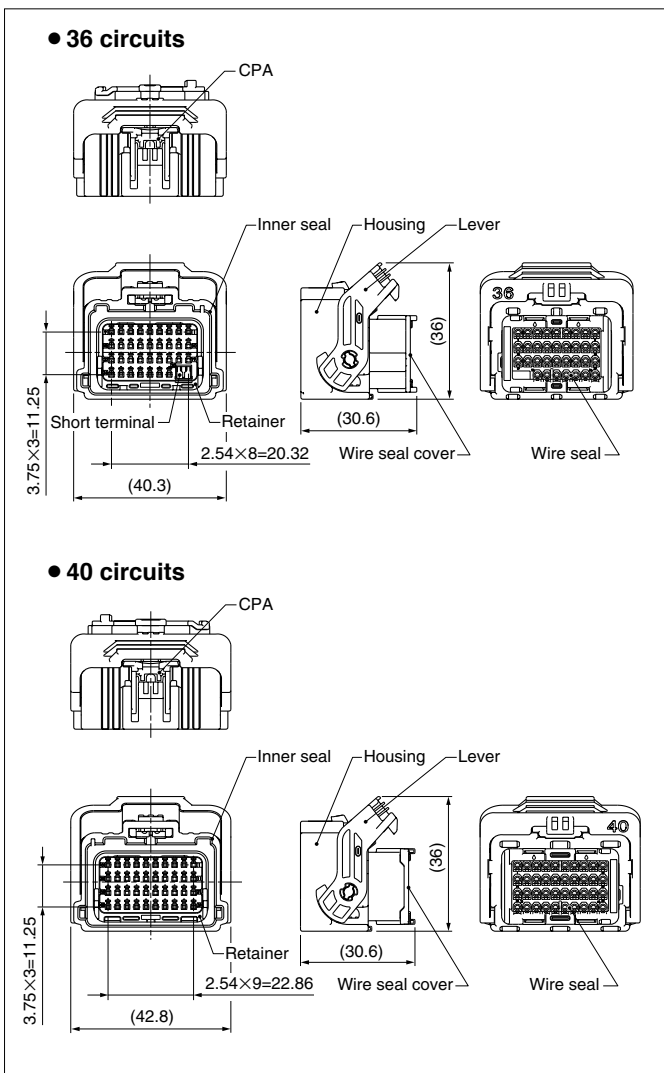


Model No.	Applicable wire range		Q'ty/reel
	Conductor (mm ²)	Insulation O.D. (mm)	
SWPH-A021GF-M0.64	0.5	1.7	10,000

Material and Finish

Copper alloy, nickel-undercoated, tin-plated, Contact area; gold-plated

Female connector



Circuits	Model No.	Q'ty/box
36	36WIC-B-1A-01	280

Material and Finish

Housing: Glass-filled PBT, yellow
 Retainer: Glass-filled PBT, black
 Lever: Glass-filled PBT, black
 CPA housing: Glass-filled PBT, black
 Wire seal cover: Glass-filled PBT, black
 Inner seal: Silicone, green
 Wire seal: Silicone, green
 Short terminal: Copper alloy, nickel-undercoated, tin-plated,
 Contact area; gold-plated

Note: Color/Key codes other than above-mentioned housing are also available. Contact JST for details.

Circuits	Model No.	Q'ty/box
40	40WIC-B-1A-01	280

Material

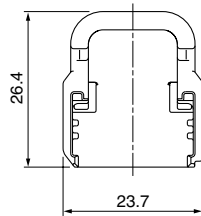
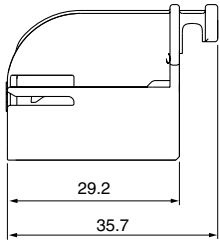
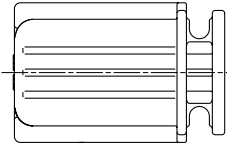
Housing: Glass-filled PBT, yellow
 Retainer: Glass-filled PBT, black
 Lever: Glass-filled PBT, black
 CPA housing: Glass-filled PBT, black
 Wire seal cover: Glass-filled PBT, black
 Inner seal: Silicone, red
 Wire seal: Silicone, red

Note: Color/Key codes other than above-mentioned housing are also available. Contact JST for details.

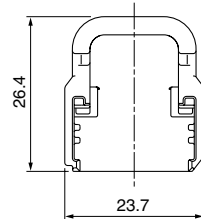
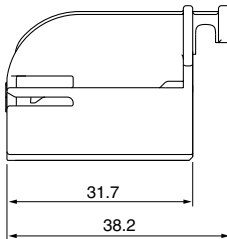
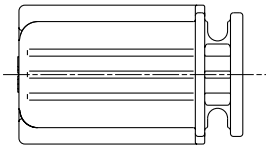
WIC CONNECTOR

Female harness cover

• 36 circuits

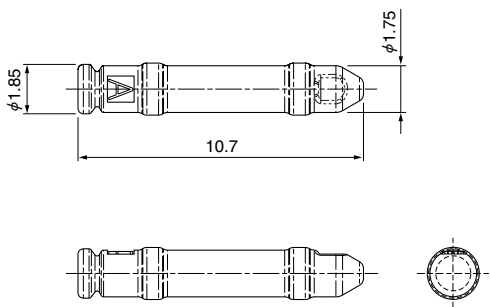


• 40 circuits



Circuits	Model No.	Q'ty/box
36	WICC-36-S	400
40	WICC-40-S	400
Material		
Glass-filled PBT, natural (white)		

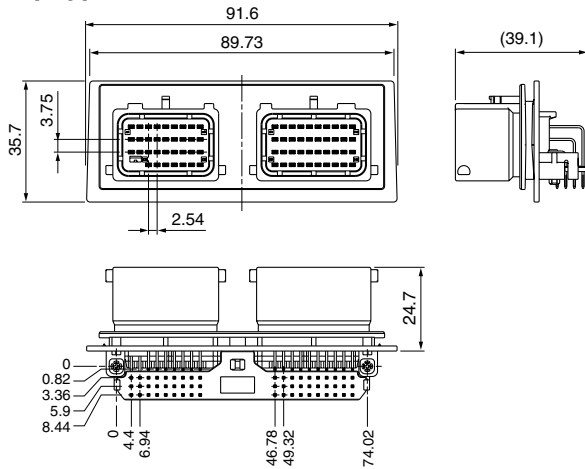
Female dummy plug



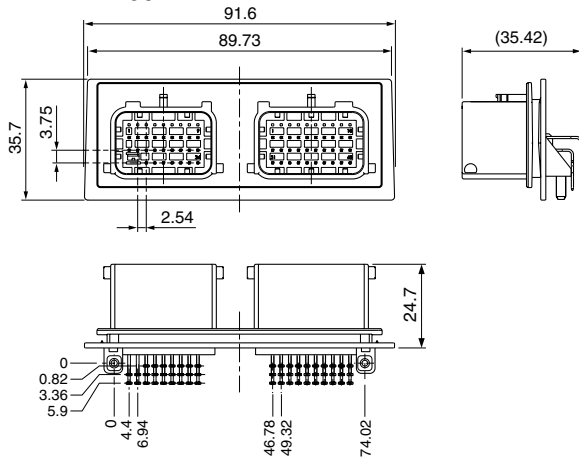
Model No.	Q'ty/box
WPHDP-H-1A-H	7,000
Material	
PBT, gray	

Male connector

Dip type



Press-fit type



Circuits	Model No.	Q'ty/box
38	S38B-WIC01-1A	120

Material and Finish

Housing: Glass-filled PBT, yellow
 Tine-plate: Glass-filled PBT, black
 Pin: Copper alloy, nickel-undercoated, tin-plated,
 Contact area; gold-plated

Note: Color/Key codes other than above-mentioned housing are also available.
 Up to maximum 74 circuits for dip type and maximum 55 circuits for press-fit type (extensible up to 74 circuits) are available. Contact JST for details.

Circuits	Model No.	Q'ty/box
22	S54(76)B-WICP01-1A	60

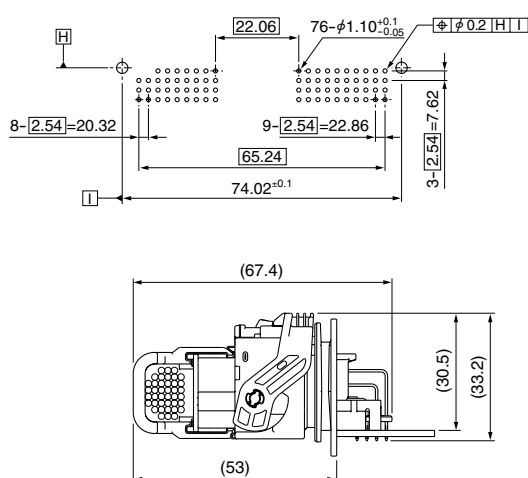
Material and Finish

Housing: Glass-filled PBT, light blue
 Pin: Phosphor bronze, nickel-undercoated,
 Press-fit area; tin-plated, Contact area; gold-plated

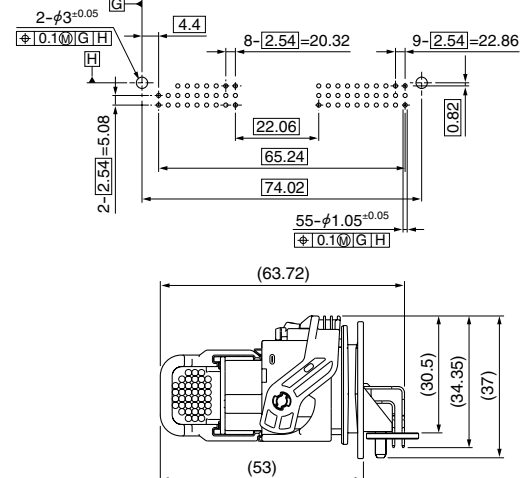
Note: Color/Key codes other than above-mentioned housing are also available.
 Up to maximum 74 circuits for dip type and maximum 55 circuits for press-fit type (extensible up to 74 circuits) are available. Contact JST for details.

PC board layout, Assembly layout

Dip type



Press-fit type



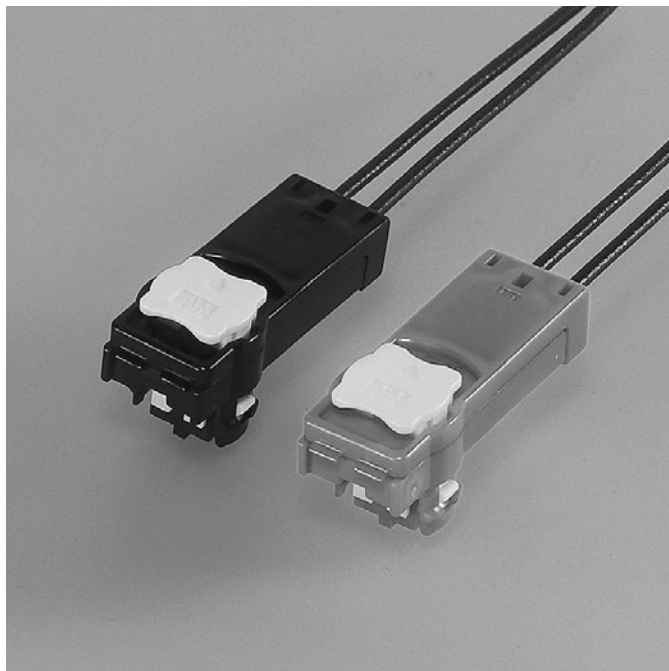
Crimping machine, Applicator

Strip terminal	Crimping machine	Crimp applicator MKS-L	
		Dies	Crimp applicator with dies
SWPH-A021GF-M0.64	AP-K2N	MK/SWPH-A021-064	APLMK SWPH-A021-064

Note: When crimping operation is conducted using an applicator and die set other than the above, JST cannot guarantee the performance of the terminal.

SQS CONNECTOR

Squib connectors



This connector for air-bag has intelligent CPA, which allows locking the connector, incomplete mating detection and release of short-circuit at the same time.

Features

●Mating

Intelligent CPA adopted. It enables the connector to be locked securely and prevents incomplete mating on the assembly line resulting in improved connector retention force.

●Terminal construction

It is designed to prevent the deformation of the contact part when processing wire harness by protecting the contact part of each terminal with a box.

●Scooping (kojiri) preventive construction

Using a shunt ring with a countermeasure for scooping (kojiri), the resistance to scooping (kojiri) insertion and withdrawal is improved.

●Noise suppression

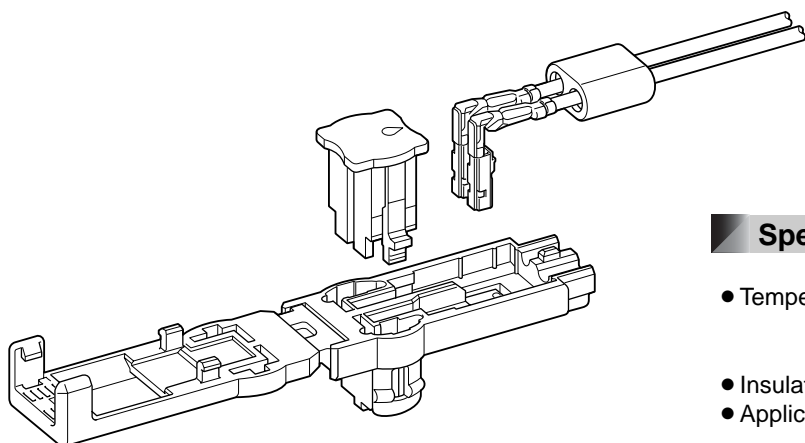
Ferrite core provides simple and reliable noise suppression characteristics.

●Two types of CPA housing

1A type: Normal type

2A type: CPA housing has the jig tool insertion part in a tail part in order to easily connector disassembly operation with a jig tool such as drivers.

- * They are selectable by usage and installed place of connector.
- * Contact JST for details.



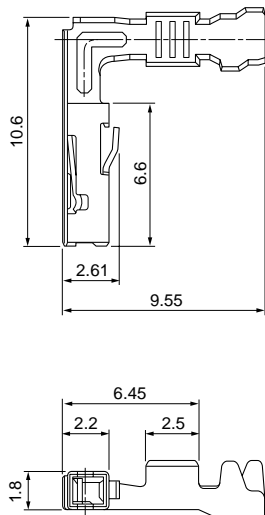
Specifications

- Temperature range: -30°C to $+80^{\circ}\text{C}$
(including temperature rise in applying electrical current)
- Insulation resistance: $100\text{M}\Omega$ min.
- Applicable wire: 0.3mm^2 to 0.5mm^2

- * Compliant with ELV/RoHS.
- * Contact JST for details.

SQS CONNECTOR

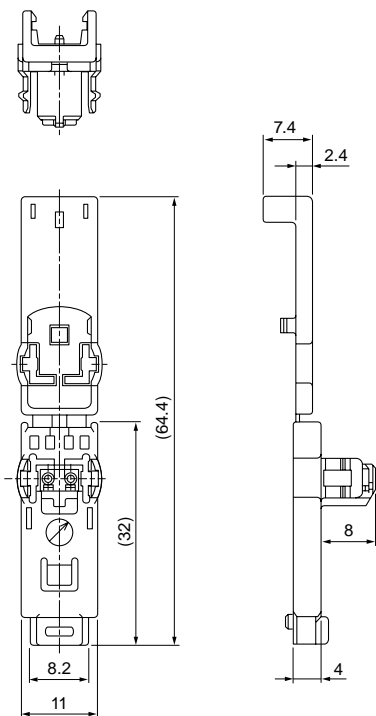
Female terminal



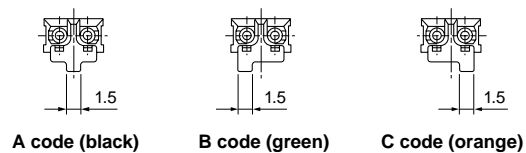
Model No.	Applicable wire range		Q'ty/reel
	Conductor (mm ²)	Insulation O.D. (mm)	
SQS-A03GF-P-P	0.3 to 0.5	1.0 to 1.6	6,500
SQS-A03GG-P-P	0.3 to 0.5	1.0 to 1.6	6,500
SQS-A03GI-P-P	0.3 to 0.5	1.0 to 1.6	6,500

Material and Finish	
GF:	Copper alloy, nickel-undercoated, Contact area; gold-plated (0.4μm min.)
GG:	Copper alloy, nickel-undercoated, Contact area; gold-plated (0.4μm min.) Barrel area; tin-plated
GI:	Copper alloy, nickel-undercoated, Contact area; gold-plated (0.8μm min.)

Female housing



• Keying figure

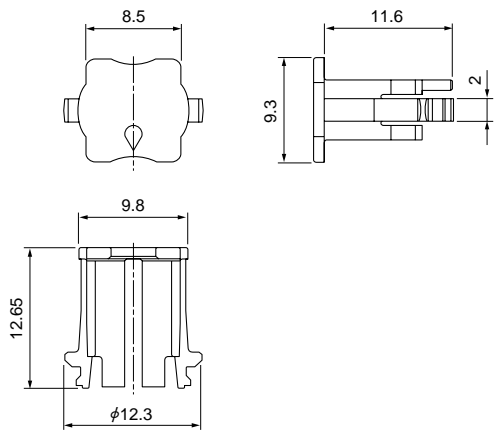


Circuits	Model No.	Keying figure	Q'ty/box	Color
2	SQSR-02H-1A-K	A code	1,000	Black
	SQSR-02H-1B-M	B code	1,000	Green
	SQSR-02H-1C-D	C code	1,000	Orange

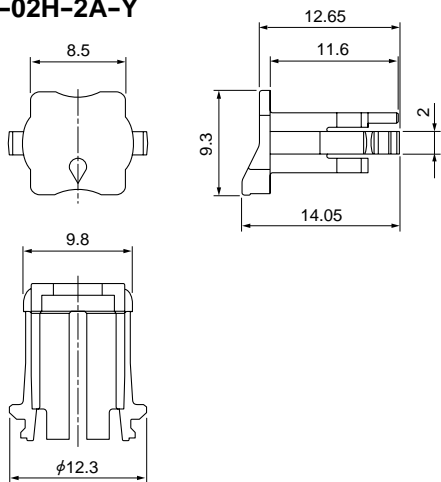
Material	
PBT	

CPA housing

• SQSC-02H-1A-Y

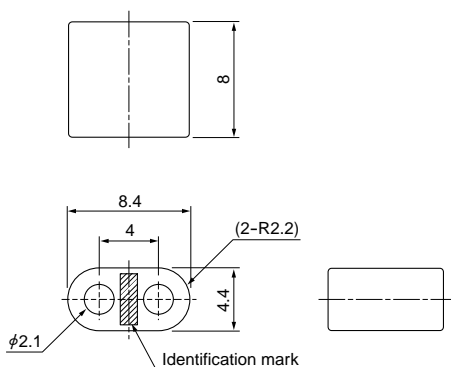


• SQSC-02H-2A-Y



Circuits	Model No.	Q'ty/box	Color
2	SQSC-02H-1A-Y	2,000	Yellow
	SQSC-02H-2A-Y	2,000	Yellow
Material			
Glass-filled PBT			

Ferrite

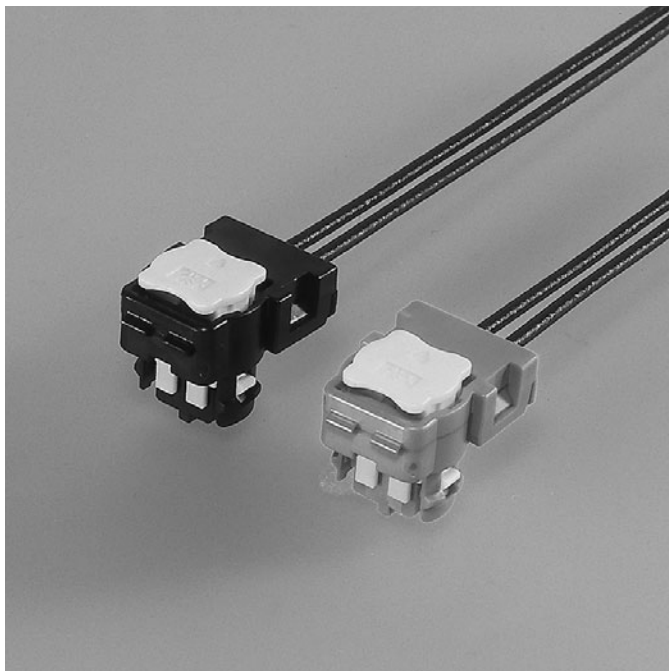


Circuits	Model No.	Q'ty/box
2	SQSF-02-1A	1,000

Crimping machine, Applicator

Strip terminal	Crimping machine	Crimp applicator MKS-L	
		Dies	Crimp applicator with dies
SQS-A03GF-P-P	AP-K2N	MK/SQS-A03-P	APLMK SQS-A03-P
SQS-A03GG-P-P			
SQS-A03GI-P-P			

Note: When crimping operation is conducted using an applicator and die set other than the above, JST cannot guarantee the performance of the terminal.



This connector for air-bag has intelligent CPA, which allows locking the connector, incomplete mating detection and release of short-circuit at the same time.

Features

● Compact design

This connector is approximately 13mm smaller than the SQS connector in total length (31.3mm→18mm).

● Mating

Intelligent CPA adopted. It enables the connector to be locked securely and prevents incomplete mating on the assembly line resulting in improved connector retention force.

● Terminal construction

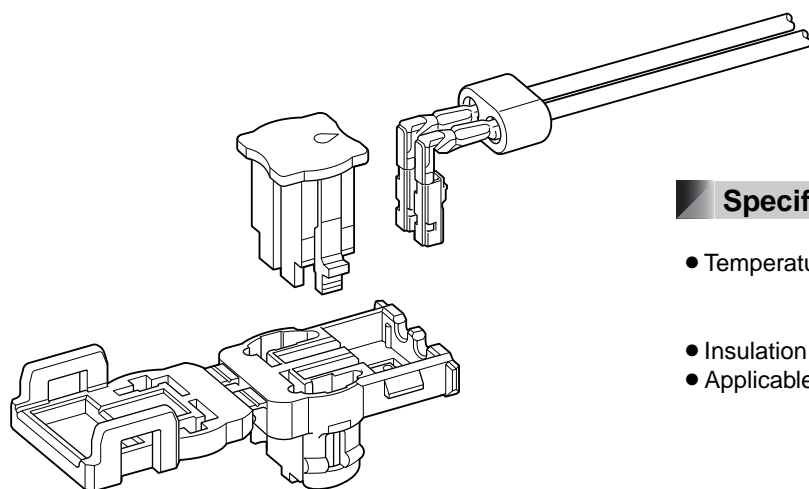
It is designed to prevent the deformation of the contact part when processing wire harness by protecting the contact part of each terminal with a box.

● Scooping (kojiri) preventive construction

Using a shunt ring with a countermeasure for scooping (kojiri), the resistance to scooping (kojiri) insertion and withdrawal is improved.

● Noise suppression

Ferrite core provides simple and reliable noise suppression characteristics.

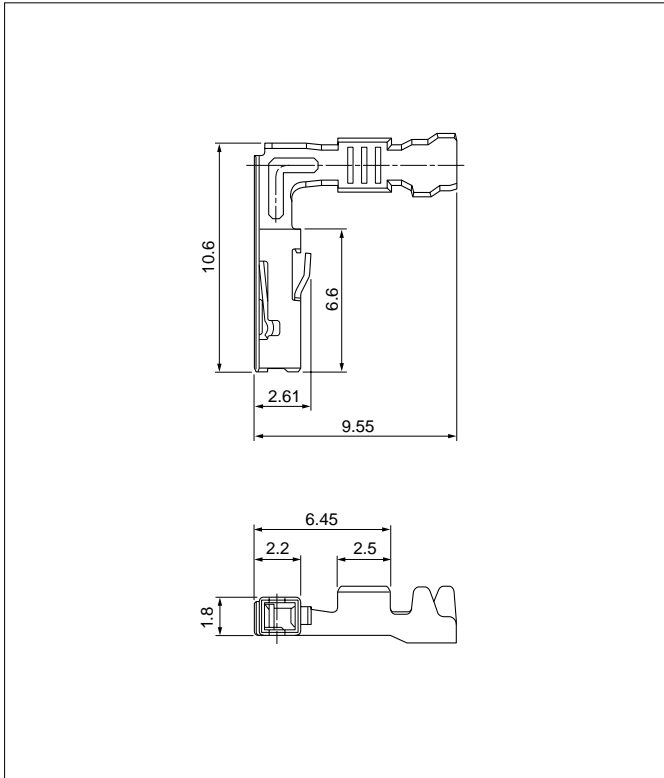


Specifications

- Temperature range: -30°C to +80°C
(including temperature rise in applying electrical current)
- Insulation resistance: 100MΩ min.
- Applicable wire: 0.3mm² to 0.5mm²

* Compliant with ELV/RoHS.
* Contact JST for details.

Female terminal

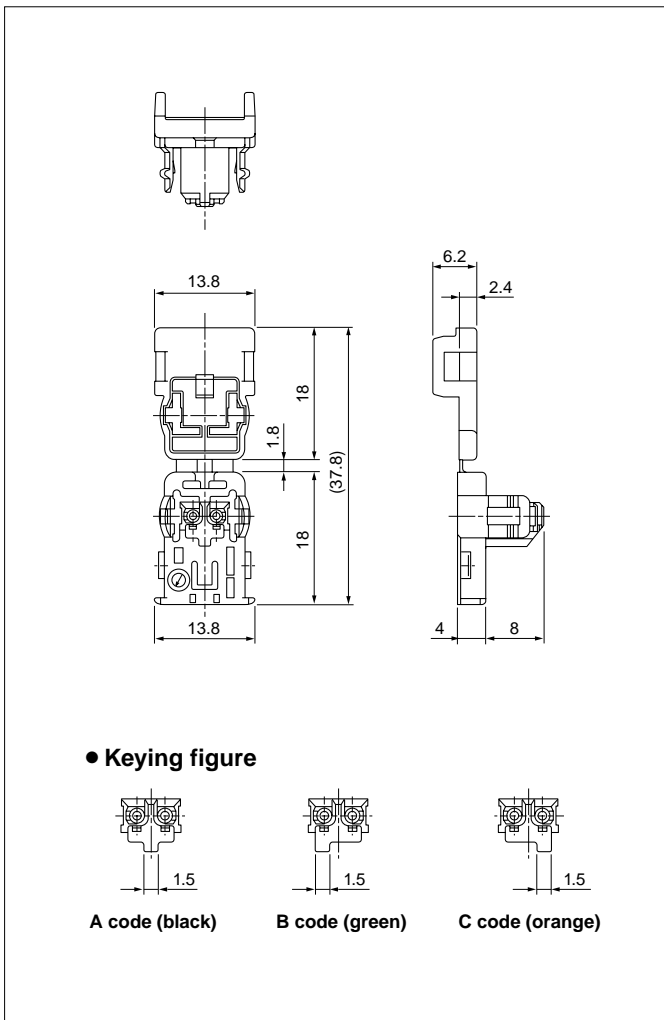


Model No.	Applicable wire range		Q'ty/reel
	Conductor (mm ²)	Insulation O.D. (mm)	
SQS-A03GF-P-P	0.3 to 0.5	1.0 to 1.6	6,500
SQS-A03GG-P-P	0.3 to 0.5	1.0 to 1.6	6,500
SQS-A03GI-P-P	0.3 to 0.5	1.0 to 1.6	6,500

Material and Finish

GF: Copper alloy, nickel-undercoated,
Contact area; gold-plated (0.4μm min.)
GG: Copper alloy, nickel-undercoated,
Contact area; gold-plated (0.4μm min.)
Barrel area; tin-plated
GI: Copper alloy, nickel-undercoated,
Contact area; gold-plated (0.8μm min.)

Female housing



Circuits	Model No.	Key figure	Q'ty/box	Color
2	SQMR-02H-1A-K	A code	1,500	Black
	SQMR-02H-2A-LP	A code	1,500	Purple
	SQMR-02H-1B-M	B code	1,500	Green
	SQMR-02H-1C-D	C code	1,500	Orange

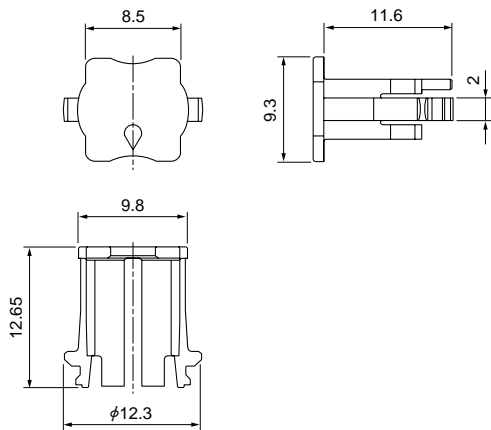
Material

PBT

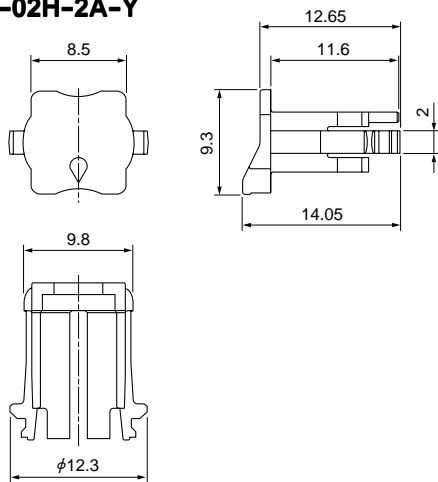
SQM CONNECTOR

CPA housing

• SQSC-02H-1A-Y

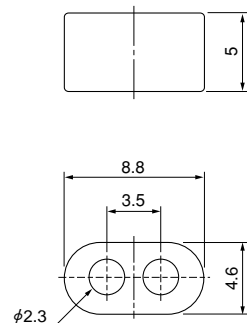


• SQSC-02H-2A-Y



Circuits	Model No.	Q'ty/box	Color
2	SQSC-02H-1A-Y	2,000	Yellow
	SQSC-02H-2A-Y	2,000	Yellow
Material			
Glass-filled PBT			

Ferrite



Circuits	Model No.	Q'ty/box
2	SQMF-02-1A	1,000

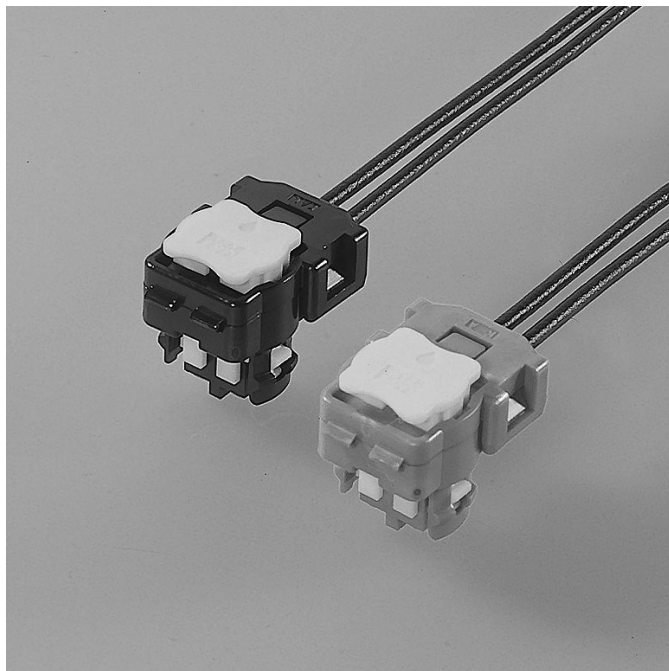
Crimping machine, Applicator

Strip terminal	Crimping machine	Crimp applicator MKS-L	
		Dies	Crimp applicator with dies
SQS-A03GF-P-P	AP-K2N	MK/SQS-A03-P	APLMK SQS-A03-P
SQS-A03GG-P-P			
SQS-A03GI-P-P			

Note: When crimping operation is conducted using an applicator and die set other than the above, JST cannot guarantee the performance of the terminal.

SQH CONNECTOR

Squib connectors



This connector for air-bag has intelligent CPA, which allows locking the connector, incomplete mating detection and release of short-circuit at the same time.

Features

● Compact design

This connector is approximately 13mm smaller than the SQS connector in total length (31.3mm→18mm).

This connector can fit in the outer diameter 25mm or less of an inflator.

● Mating

Intelligent CPA adopted. It enables the connector to be locked securely and prevents incomplete mating on the assembly line resulting in improved connector retention force.

● Terminal construction

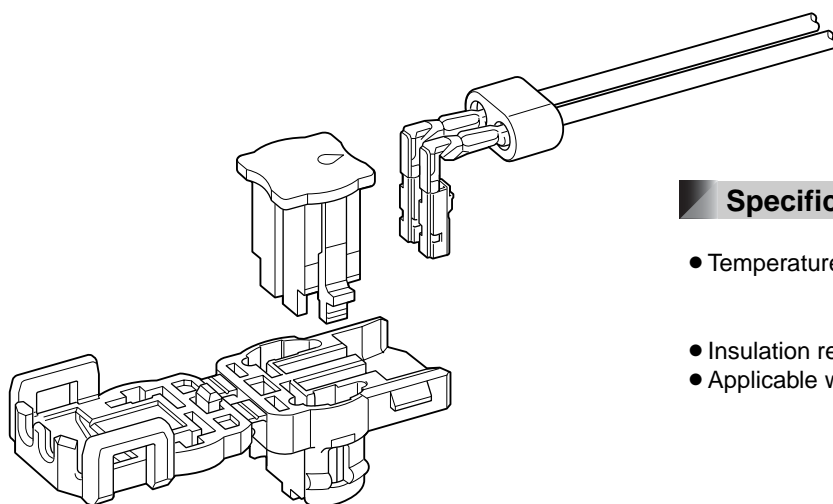
It is designed to prevent the deformation of the contact part when processing wire harness by protecting the contact part of each terminal with a box.

● Scooping (kojiri) preventive construction

Using a shunt ring with a countermeasure for scooping (kojiri), the resistance to scooping (kojiri) insertion and withdrawal is improved.

● Noise suppression

Ferrite core provides simple and reliable noise suppression characteristics.



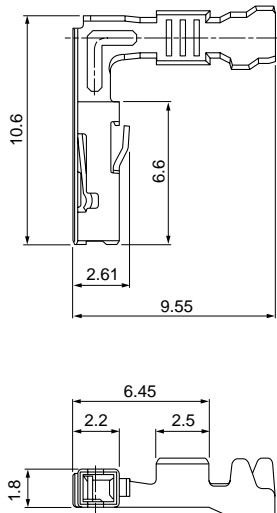
Specifications

- Temperature range: -30°C to +80°C
(including temperature rise in applying electrical current)
- Insulation resistance: 100MΩ min.
- Applicable wire: CAVS/ AVSS
0.3mm² to 0.5mm²

* Compliant with ELV/RoHS.
* Contact JST for details.

SQH CONNECTOR

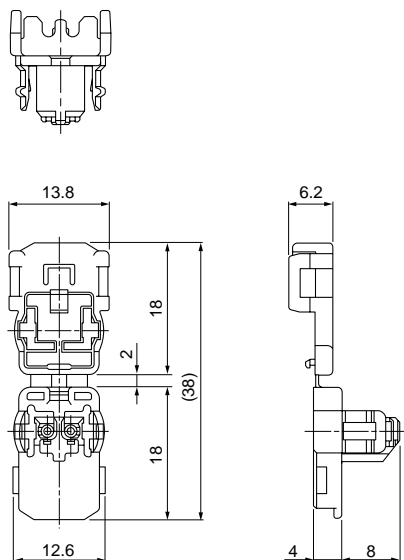
Female terminal



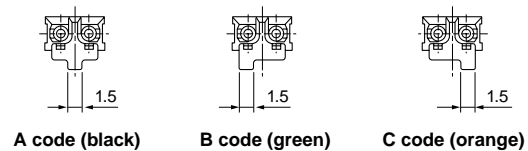
Model No.	Applicable wire range		Q'ty/reel
	Conductor (mm ²)	Insulation O.D. (mm)	
SQS-A03GF-P-P	0.3 to 0.5	1.0 to 1.6	6,500
SQS-A03GG-P-P	0.3 to 0.5	1.0 to 1.6	6,500
SQS-A03GI-P-P	0.3 to 0.5	1.0 to 1.6	6,500

Material and Finish	
GF:	Copper alloy, nickel-undercoated, Contact area; gold-plated (0.4μm min.)
GG:	Copper alloy, nickel-undercoated, Contact area; gold-plated (0.4μm min.) Barrel area; tin-plated
GI:	Copper alloy, nickel-undercoated, Contact area; gold-plated (0.8μm min.)

Female housing



• Keying figure

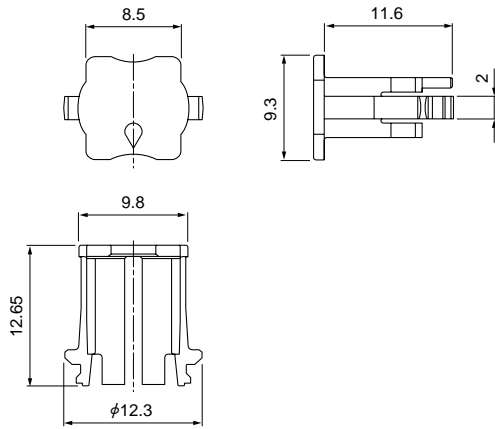


Circuits	Model No.	Key figure	Q'ty/box	Color
2	SQHR-02H-1A-K	A code	1,500	Black
	SQHR-02H-1B-M	B code	1,500	Green
	SQHR-02H-1C-D	C code	1,500	Orange

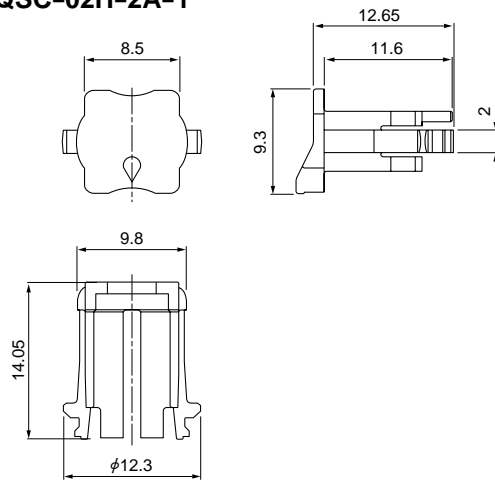
Material	
PBT	

CPA housing

• SQSC-02H-1A-Y

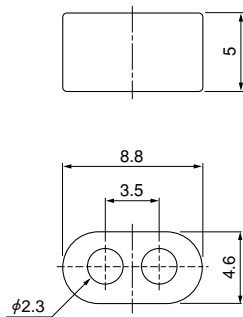


• SQSC-02H-2A-Y



Circuits	Model No.	Q'ty/box	Color
2	SQSC-02H-1A-Y	2,000	Yellow
	SQSC-02H-2A-Y	2,000	Yellow
Material			
Glass-filled PBT			

Ferrite



Circuits	Model No.	Q'ty/box
2	SQMF-02-1A	1,000

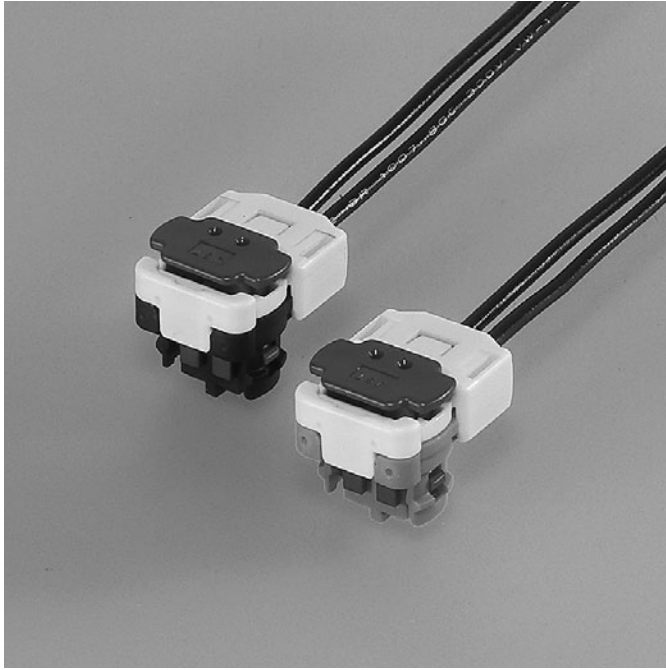
Crimping machine, Applicator

Strip terminal	Crimping machine	Crimp applicator MKS-L	
		Dies	Crimp applicator with dies
SQS-A03GF-P-P	AP-K2N	MK/SQS-A03-P	APLMK SQS-A03-P
SQS-A03GG-P-P			
SQS-A03GI-P-P			

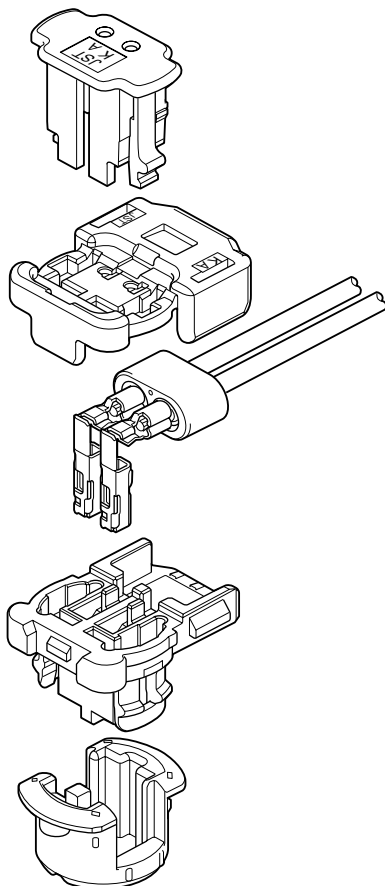
Note: When crimping operation is conducted using an applicator and die set other than the above, JST cannot guarantee the performance of the terminal.

SQS II CONNECTOR

Squib connectors



This connector for air-bag, conforming to USCAR standard, has intelligent CPA, which allows locking the connector, incomplete mating detection and release of short-circuit at the same time.



Features

● Compact design

This connector is approximately 13mm smaller than the SQS connector in total length.

This connector can fit in the outer diameter 25mm or less of an inflator.

● Mating

Intelligent CPA adopted. It enables the connector to be locked securely and prevents incomplete mating on the assembly line resulting in improved connector retention force.

● Terminal construction

The contact part is placed forward compared to the conventional female terminal so that the effective contact length extends.

● Scooping (kajiri) preventive construction

Using a shunt ring with a countermeasure for scooping (kajiri), the resistance to scooping (kajiri) insertion and withdrawal is improved.

● Noise suppression

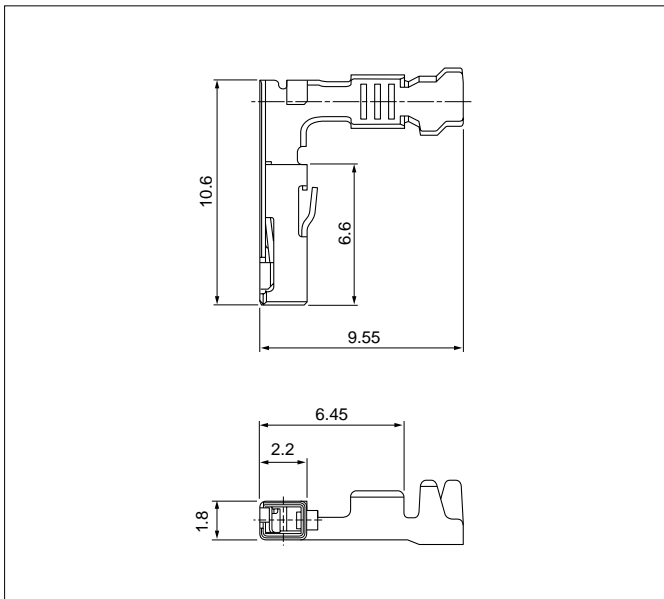
Ferrite core provides simple and reliable noise suppression characteristics.

Specifications

- Temperature range: -30°C to $+80^{\circ}\text{C}$
(including temperature rise in applying electrical current)
- Insulation resistance: $100\text{M}\Omega$ min.
- Applicable wire: 0.3mm^2 to 0.5mm^2
 0.8mm^2

- * Compliant with ELV/RoHS.
- * Contact JST for details.

Female terminal



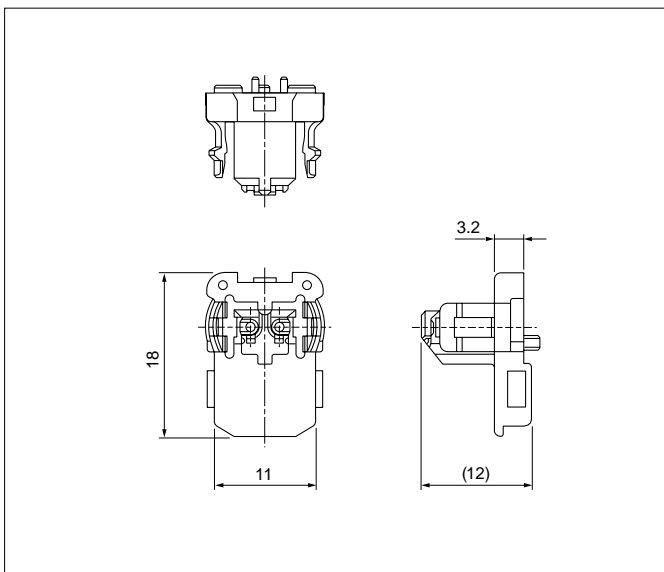
Model No.	Applicable wire range		Q'ty/reel
	Conductor (mm ²)	Insulation O.D. (mm)	
SSQS2-A03GF-P-P	0.3 to 0.5	1.0 to 1.8	6,500
SSQS2-A03GI-P-P	0.3 to 0.5	1.0 to 1.8	6,500
SSQS2-A04GF-P-P	0.8	2.03	5,000
SSQS2-A04GI-P-P	0.8	2.03	5,000

Material and Finish

GF: Copper alloy, nickel-undercoated,
Contact area; gold-plated (0.4μm min.)

GI: Copper alloy, nickel-undercoated,
Contact area; gold-plated (0.8μm min.)

Female housing

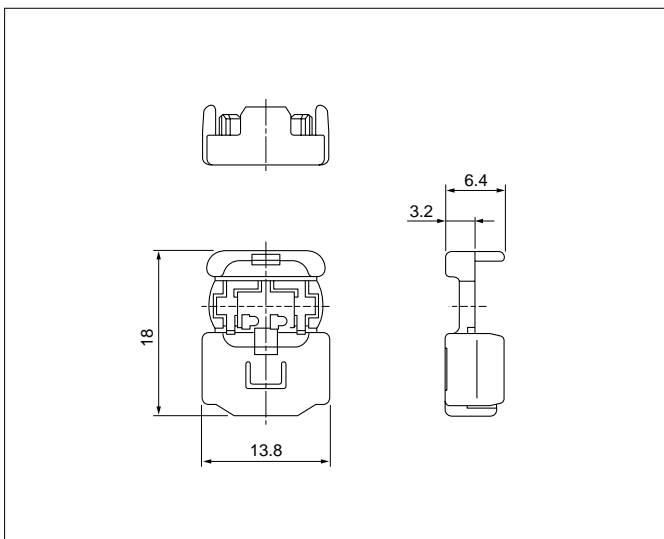


Circuits	Model No.	Q'ty/bag	Color
2	SQS2R-02H-2A-K	1,000	Black
	SQS2R-02H-2C-D	1,000	Orange

Material

PBT

Cover housing



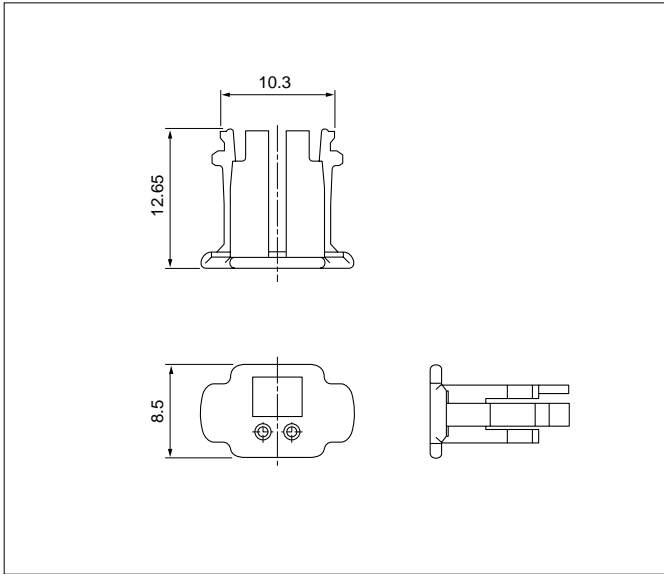
Circuits	Model No.	Q'ty/bag	Color
2	SQS2L-02H-1A-Y	1,000	Yellow

Material

PBT

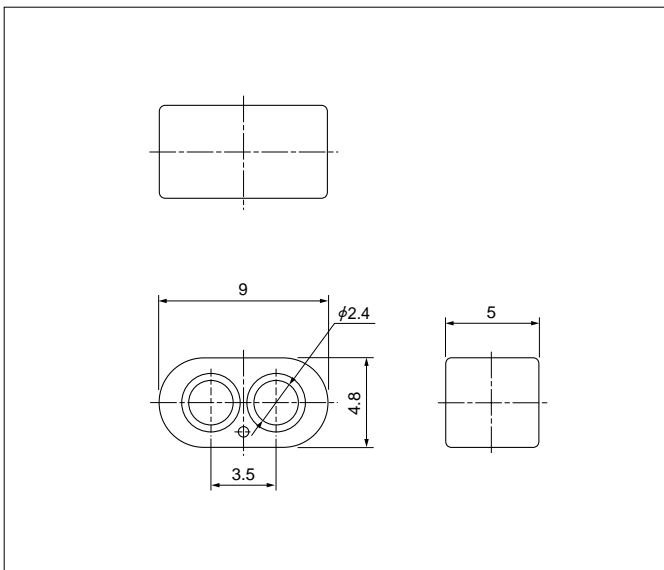
SQS II CONNECTOR

CPA housing



Circuits	Model No.	Q'ty/bag	Color
2	SQS2C-02H-1A-R	2,000	Red
Material			
Glass-filled PBT			

Ferrite



Circuits	Model No.	Q'ty/bag
2	SQS2F-02-1T	1,000

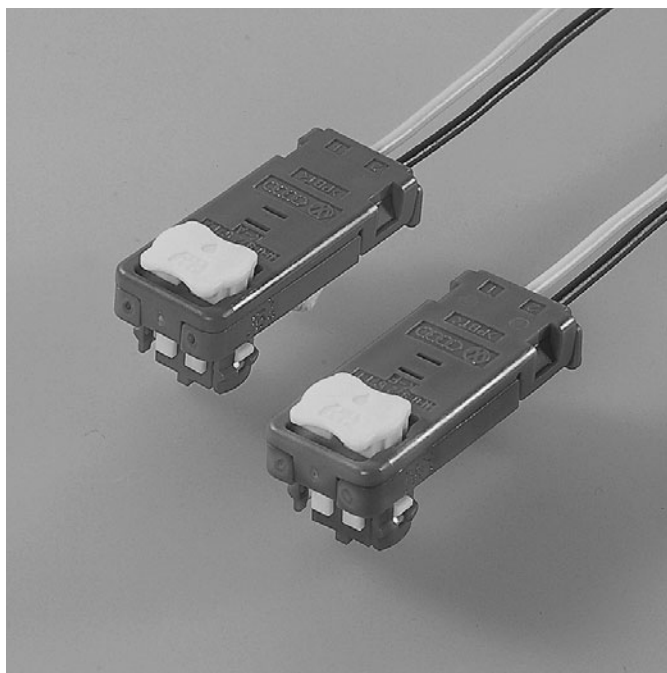
Crimping machine, Applicator

Strip terminal	Crimping machine	Crimp applicator MKS-L	
		Dies	Crimp applicator with dies
SSQS2-A03GF-P-P	AP-K2N	MK/SSQS2-A03-P	APLMK SSQS2-A03-P
SSQS2-A03GI-P-P			
SSQS2-A04GF-P-P			APLMK SSQS2-A04-P
SSQS2-A04GI-P-P			

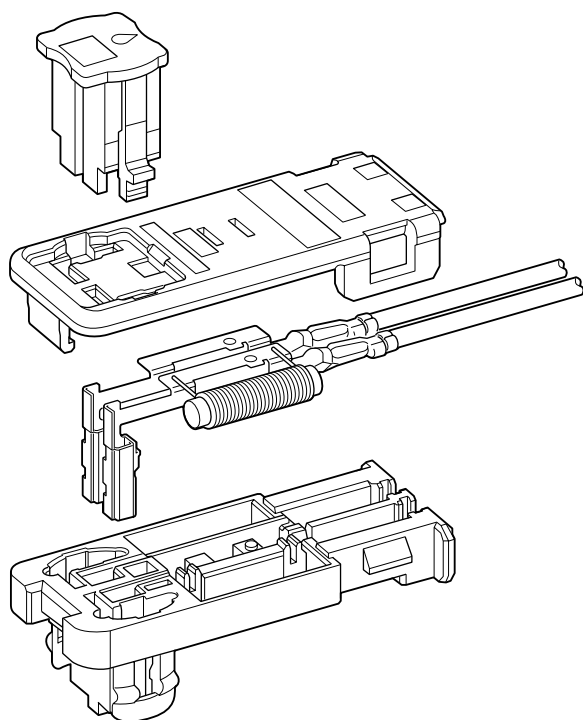
Note: When crimping operation is conducted using an applicator and die set other than the above, JST cannot guarantee the performance of the terminal.

SQW CONNECTOR

Squib connectors



This connector for air-bag has intelligent CPA, which allows locking the connector, incomplete mating detection and release of short-circuit at the same time and achieves high resistance to noise at the specific frequency range with a built-in coil.



Features

●Mating

Intelligent CPA adopted. It enables the connector to be locked securely and prevents incomplete mating on the assembly line resulting in improved connector retention force.

●Terminal construction

It is designed to prevent the deformation of the contact part when processing wire harness by protecting the contact part of each terminal with a box.

●Scooping (kojiri) preventive construction

Using a shunt ring with a countermeasure for scooping (kojiri), the resistance to scooping (kojiri) insertion and withdrawal is improved.

●Noise suppression

High resistance to noise at the specific frequency range is achieved with a built-in coil.

Specifications

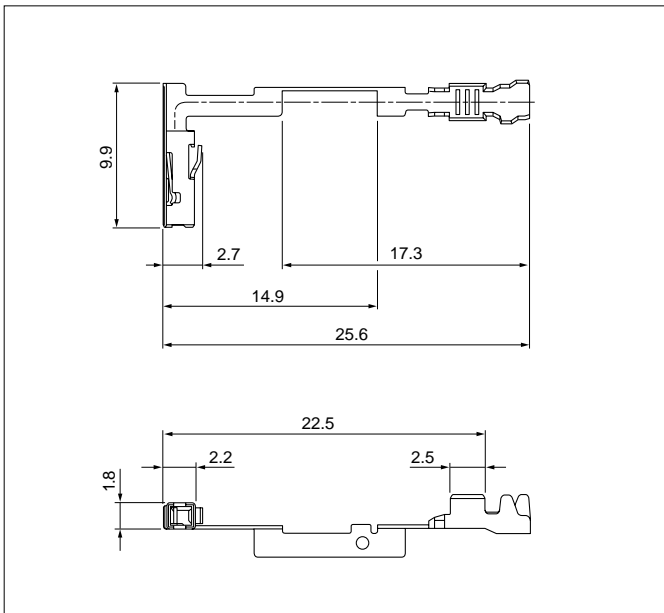
- Temperature range: -30°C to $+80^{\circ}\text{C}$
(including temperature rise in applying electrical current)
- Insulation resistance: $100\text{M}\Omega$ min.
- Applicable wire: 0.5mm^2

Note: In principle, only SQW connector as harness-processed product is supplied due to built-in coil.
Contact JST for details of available wire harness specification.

- * Compliant with ELV/RoHS.
- * Contact JST for details.

SQW CONNECTOR

Female terminal

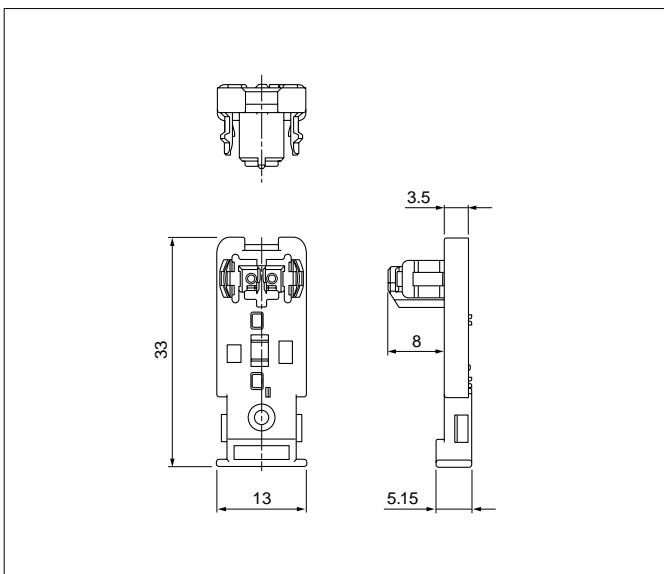


Model No.	Applicable wire range		Q'ty/reel
	Conductor (mm ²)	Insulation O.D. (mm)	
SSQW-A03GI-P-P	0.5	1.6	—

Material and Finish

Copper alloy, nickel-undercoated, Contact area; gold-plated

Female housing

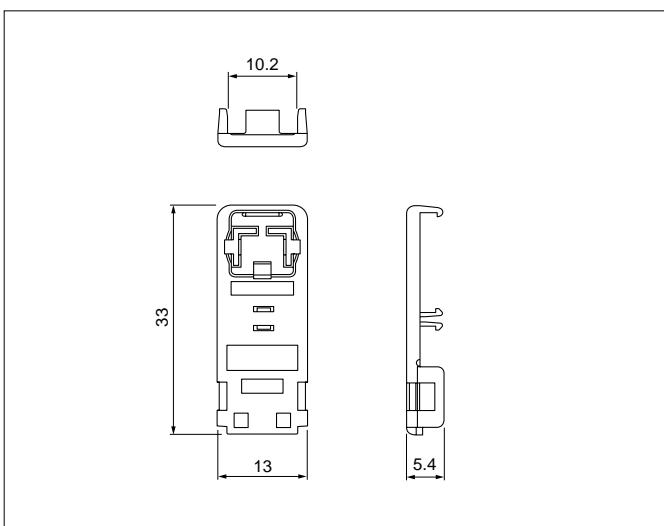


Circuits	Model No.	Q'ty/box	Color
2	SQWR-02H-1A-LP	—	Purple
	SQWR-02H-1B-M	—	Green
	SQWR-02H-1C-D	—	Orange

Material

PBT

Cover housing

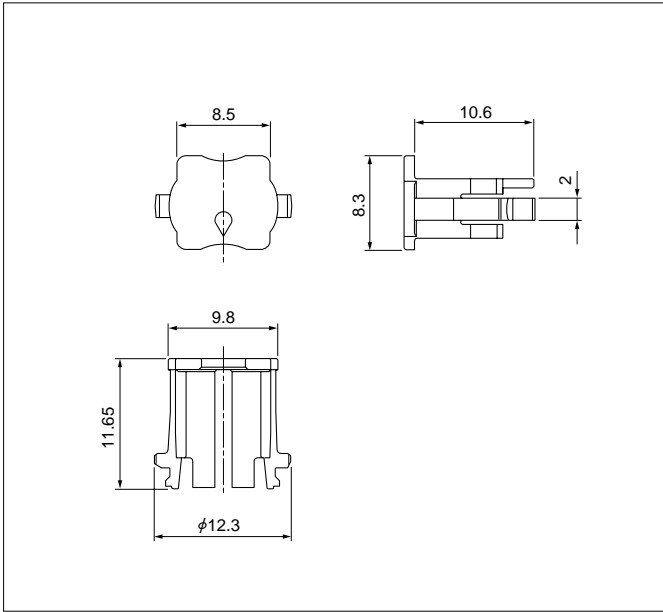


Circuits	Model No.	Q'ty/box	Color
2	SQWL-02H-1-LP B	—	Purple
	SQWL-02H-1-M A	—	Green
	SQWL-02H-1-D	—	Orange

Material

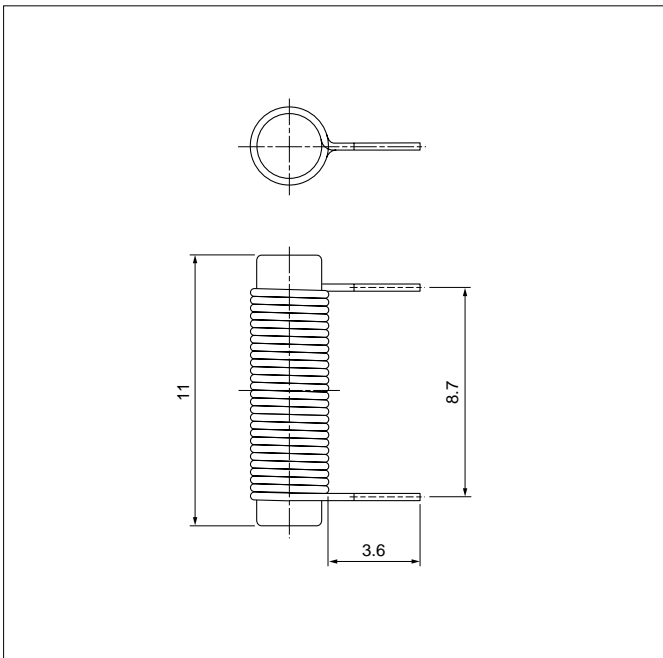
PBT

CPA housing



Circuits	Model No.	Q'ty/bag	Color
2	SQWC-02H-1A-Y	—	Yellow
Material			
Glass-filled PBT			

Coil



Model No.	Q'ty/box
SQWW-02-1A	—



This connector for air-bag is simple, compact and not easy to come off without CPA.

Features

● Compact design

Miniaturized in total length and height compared to the conventional connector for air-bag.

This connector can fix in the outer diameter 20mm or less of an inflator.

● Mating

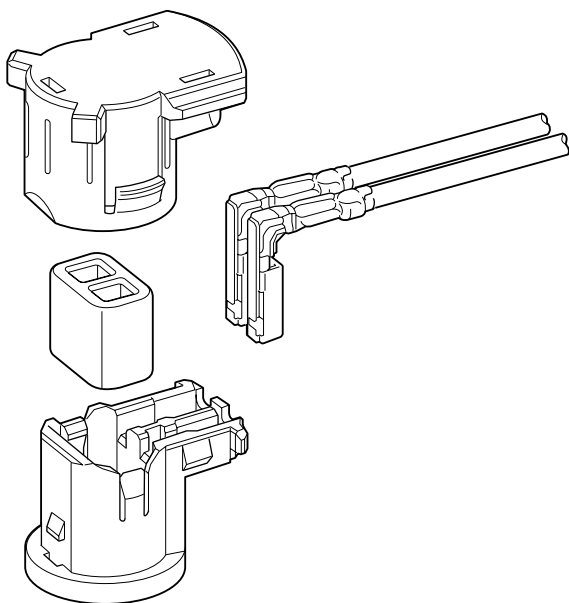
Designed to fix into the fix-in type inflator pocket.

● Terminal construction

It is designed to prevent the deformation of the contact part when processing wire harness by protecting the contact part of each terminal with a box.

● Noise suppression

Ferrite core provides simple and reliable noise suppression characteristics.

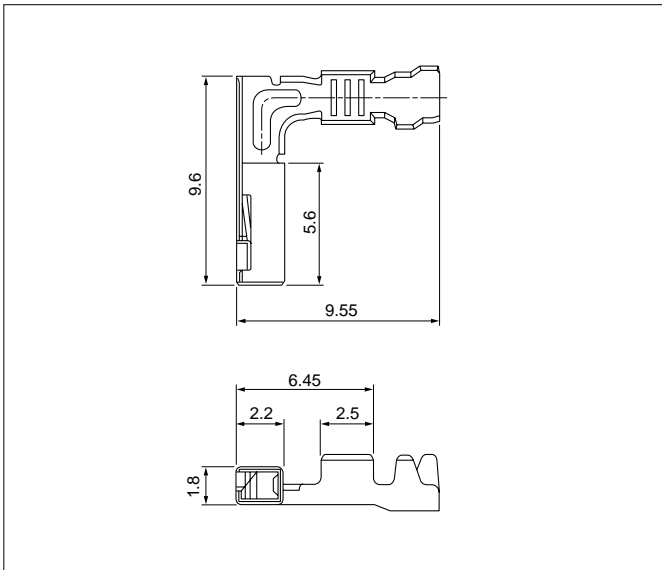


Specifications

- Temperature range: -30°C to +80°C
(including temperature rise in applying electrical current)
- Insulation resistance: 100MΩ min.
- Applicable wire: 0.3mm² to 0.5mm²

* Compliant with ELV/RoHS.
* Contact JST for details.

Female terminal

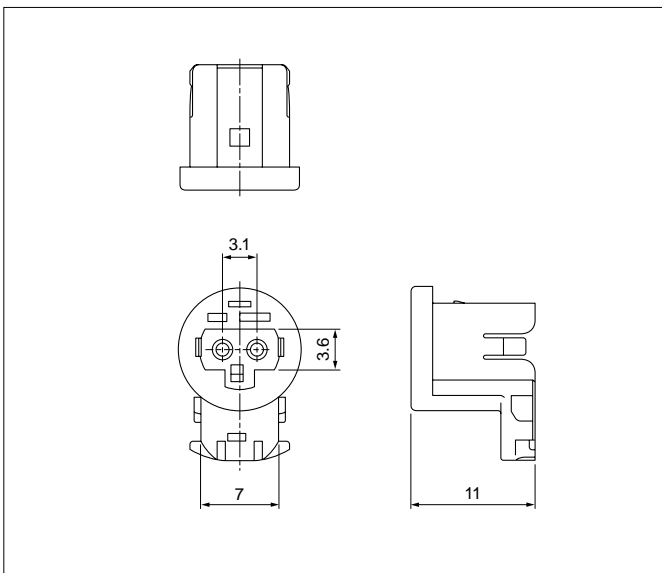


Model No.	Applicable wire range		Q'ty/reel
	Conductor (mm ²)	Insulation O.D. (mm)	
SSQF-A03GF-P-P	0.3 to 0.5	1.0 to 1.6	6,500

Material and Finish

Copper alloy, nickel-undercoated, Contact area; gold-plated

Female housing

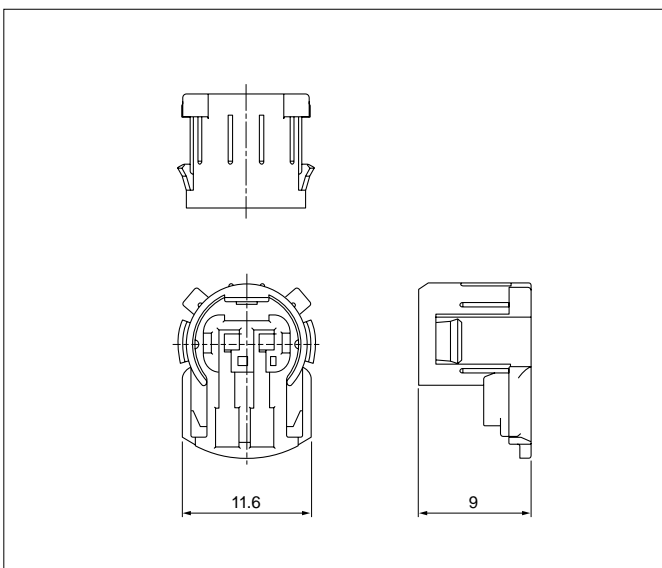


Circuits	Model No.	Q'ty/box	Color
2	SQFR-02H-1A-Y	1,000	Yellow
	SQFR-02H-1B-M	1,000	Green
	SQFR-02H-1C-D	1,000	Orange

Material

PBT

Cover housing



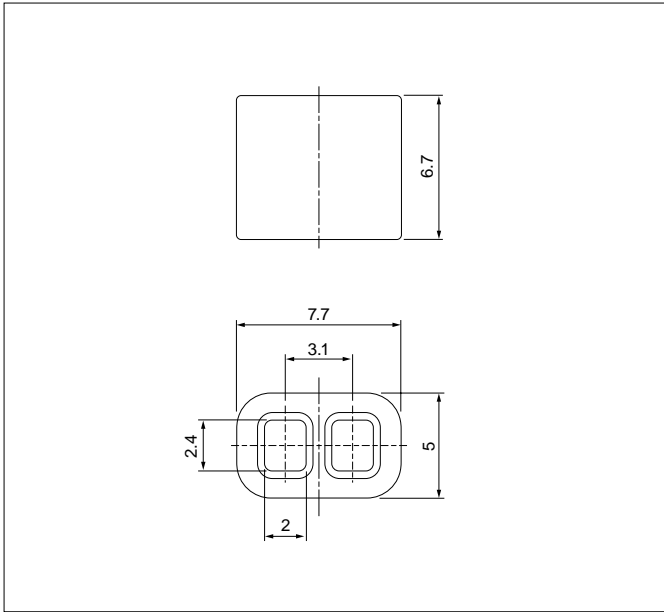
Circuits	Model No.	Q'ty/box	Color
2	SQFL-02H-1A-Y	1,000	Yellow
	SQFL-02H-1B-M	1,000	Green
	SQFL-02H-1C-D	1,000	Orange

Material

PBT

SQF CONNECTOR

Ferrite



Circuits	Model No.	Q'ty/box
2	SQFF-02-1A	1,000

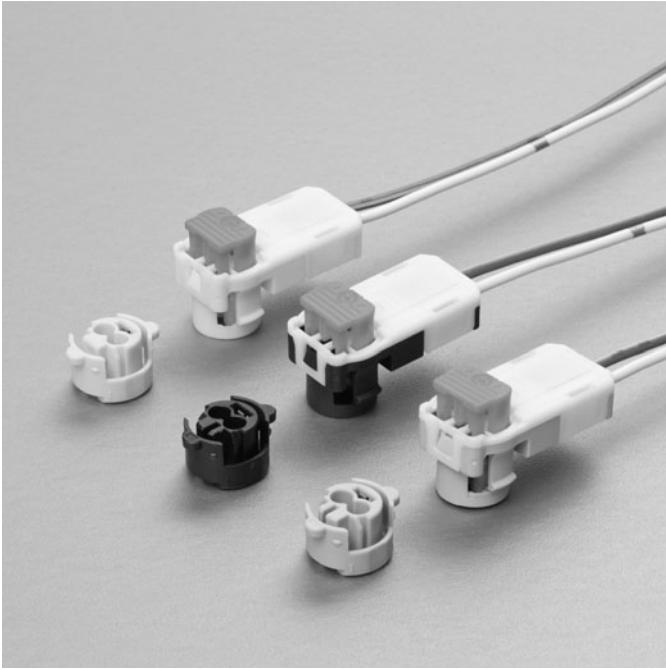
Crimping machine, Applicator

Strip terminal	Crimping machine	Crimp applicator MKS-L	
		Dies	Crimp applicator with dies
SSQF-A03GF-P-P	AP-K2N	MK/SQS-A03-P	APLMK SQS-A03-P

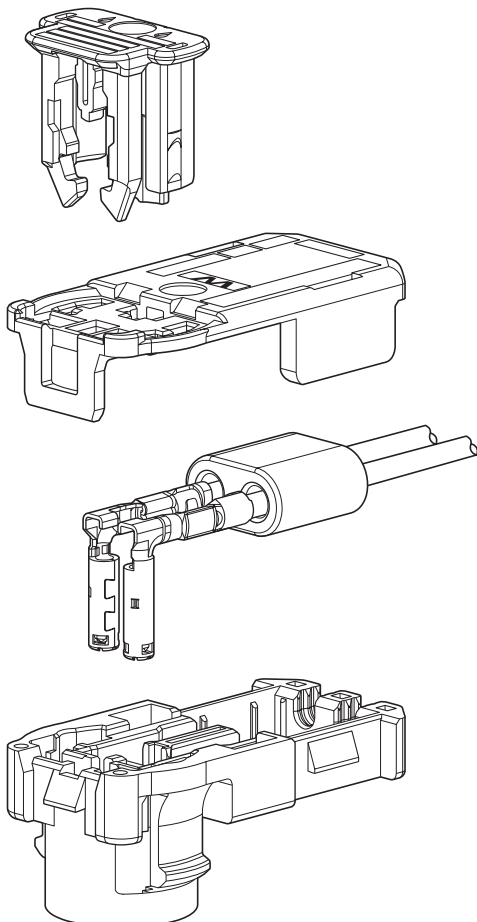
Note: When crimping operation is conducted using an applicator and die set other than the above, JST cannot guarantee the performance of the terminal.

SQXW CONNECTOR

Squib connectors



This connector for air-bag, conforming to ISO TS19072-4 standard configuration, has intelligent CPA, which allows locking the connector, incomplete mating detection and release of short-circuit at the same time.



Features

● Inertial Locking

Intelligent CPA enables connector locking, prevent incomplete mating and release of short circuit at the same time.

● Interface and Performance

Mated with retainer designed by ISO TS19072-4 specification. Connector performance satisfies ISO 19072-2 specification.

● Stability of Electrical Connection

Terminal has three contact points.

Prevent the deformation of contact area by covering ferrule to contact spring.

● Noise Suppression

Ferrite core provides simple and reliable noise suppression characteristics.

● CPA

The upper part of CPA is made as large as possible and the shape which fits fingers well contributes to efficient work.

4mm stroke provides recognition of the CPA position.

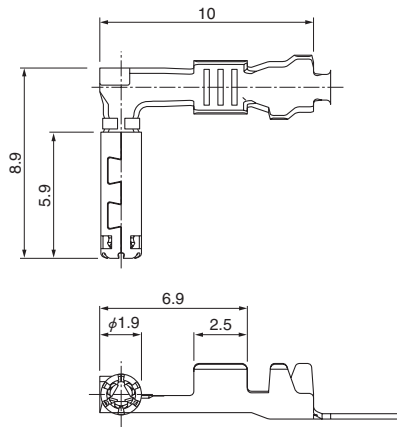
Specifications

- Current rating: 3A AC, DC max.
- Temperature range: -40°C to +85°C
(including temperature rise in applying electrical current)
- Insulation resistance: 100MΩ min.
- Applicable Wire: AVSS
0.3mm², 0.5mm²
FLRY-A
0.35mm², 0.5mm²

* Compliant with ELV/RoHS.

* Contact JST for details.

Female terminal

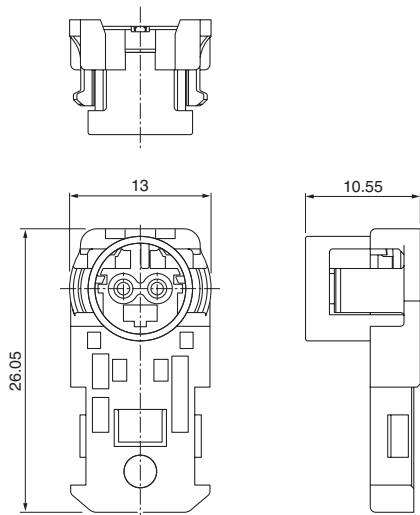


Model No.	Applicable wire range		Q'ty/reel
	Conductor (mm ²)	Insulation O.D. (mm)	
SSQSK-A03GJ-P-R	0.3 to 0.5	1.0 to 1.6	5,000
SSQSK-A03GJ-P-L	0.3 to 0.5	1.0 to 1.6	5,000

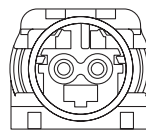
Material and Finish

Copper alloy, nickel-undercoated,
Contact area; gold-plated (0.8μm min.)
Batrel area; tin-plated

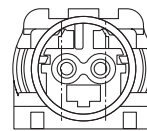
Female housing



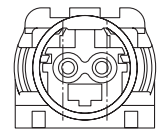
• Keying figure



I code



II code



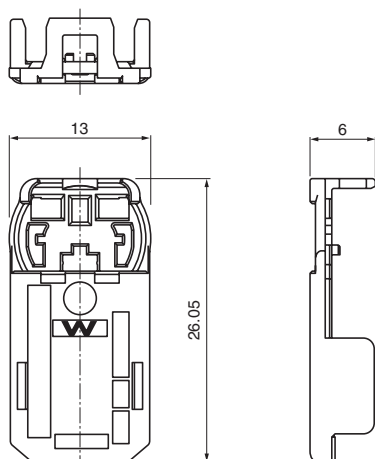
III code

Circuits	Model No.	Keying figure	Q'ty/box	Color
2	SQXR-02H-2A-K	I code	500	Black
	SQXR-02H-2B-LM	II code	500	Light green
	SQXR-02H-2C-Y	III code	500	Yellow

Material

Glass-filled PBT

Cover housing



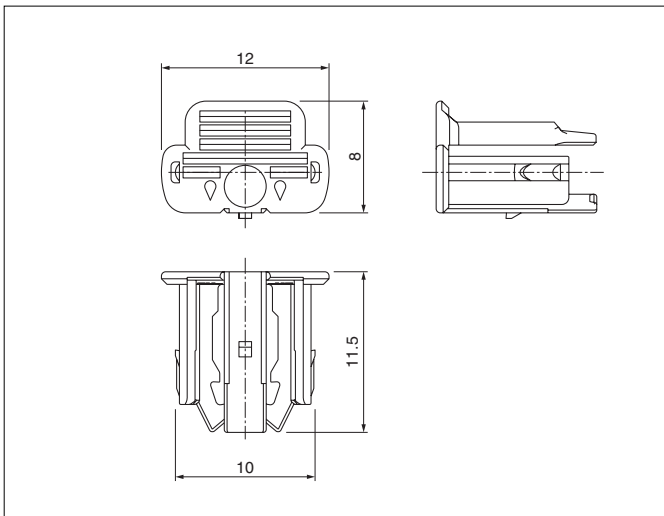
Circuits	Model No.	Q'ty/bag	Color
2	SQXL-02H-1W-Y	500	Yellow

Material

Glass-filled PBT

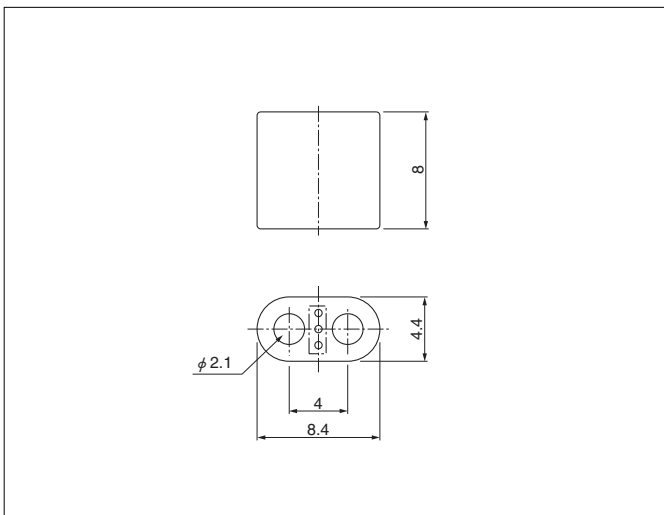
SQXW CONNECTOR

CPA housing



Circuits	Model No.	Q'ty/bag
2	SQXC-02H-1W-D	1,000
Material		
Glass-filled PBT		

Ferrite



Circuits	Model No.	Q'ty/box
2	SQXF-02-1A	1,000

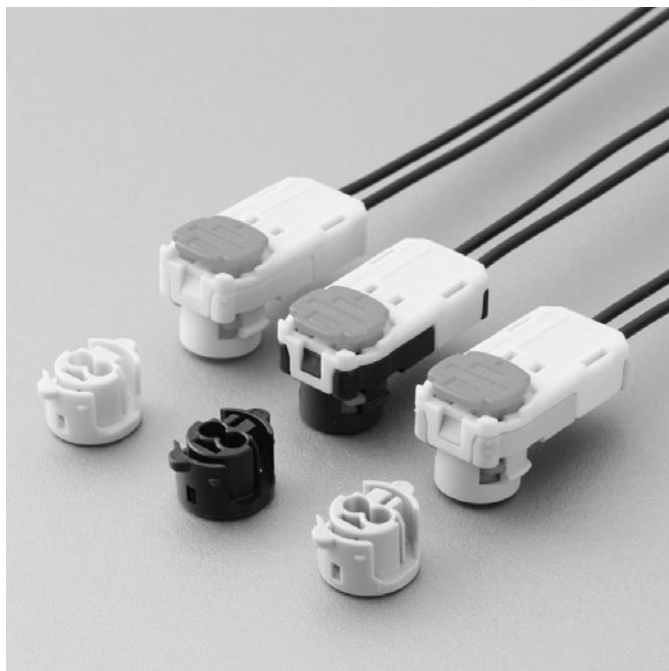
Crimping machine, Applicator

Strip terminal	Crimping machine	Crimp applicator MKS-L	
		Dies	Crimp applicator with dies
SSQSK-A03GJ-P-R	AP-K2N	MK/SSQSK-A03-P	APLMK SSQSK-A03-P
SSQSK-A03GJ-P-L			

Note: When crimping operation is conducted using an applicator and die set other than the above, JST cannot guarantee the performance of the terminal.

SQSK CONNECTOR

Squib connectors



This connector for air-bag, conforming to ISO19072-4 standard configuration, has intelligent CPA, which allows locking the connector, incomplete mating detection and release of short-circuit at the same time.

Features

●Mating

Intelligent CPA adopted. It enables the connector to be locked securely and prevents incomplete mating on the assembly line resulting in improved connector retention force.

●Terminal construction

The contact structure of three contact points is adopted, and the contact reliability is improved.

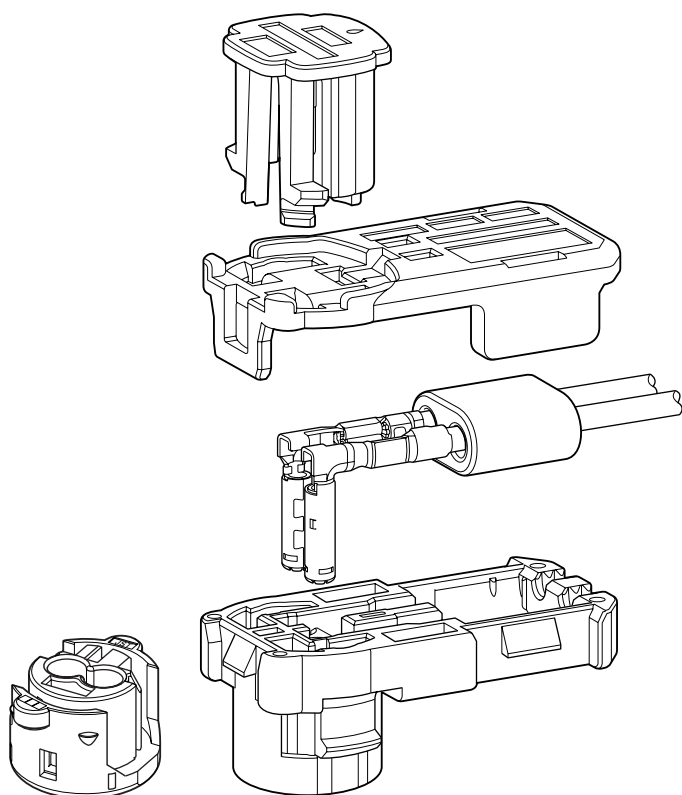
It is designed to prevent the deformation of contact area when processing wire harness by covering ferrule to spring contact area.

●Scooping (kojiri) preventive construction

Using a shunt ring conforming to ISO19072-4 standard, the resistance to scooping (kojiri) insertion and withdrawal is improved.

●Noise suppression

Ferrite core provides simple and reliable noise suppression characteristics.



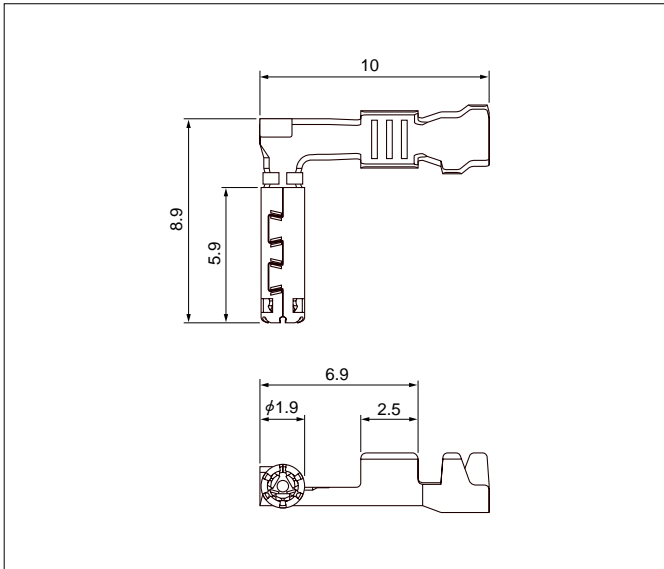
Specifications

- Current rating: 3A AC, DC max.
- Temperature range: -40°C to +85°C
(including temperature rise in applying electrical current)
- Insulation resistance: 100MΩ min.
- Applicable wire: AVSS
0.3mm², 0.5mm²
FLRY-A
0.35mm², 0.5mm²

* Compliant with ELV/RoHS.
* Contact JST for details.

SQSK CONNECTOR

Female terminal

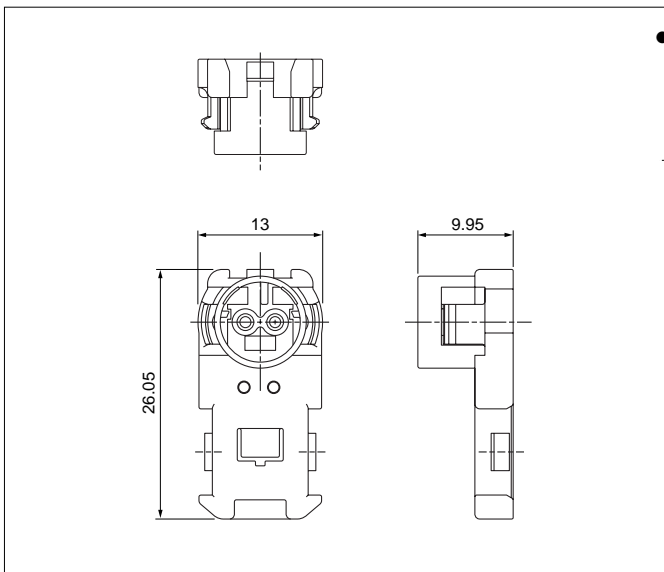


Model No.	Applicable wire range		Q'ty/reel
	Conductor (mm ²)	Insulation O.D. (mm)	
SSQSK-A03GJ-P-R	0.3 to 0.5	1.0 to 1.6	5,000
SSQSK-A03GJ-P-L	0.3 to 0.5	1.0 to 1.6	5,000

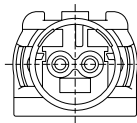
Material and Finish

Copper alloy, nickel-undercoated,
Contact area; gold-plated (0.8μm min.)
Barrel area; tin-plated

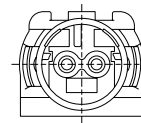
Female housing



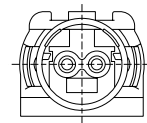
• Keying figure



I code



II code



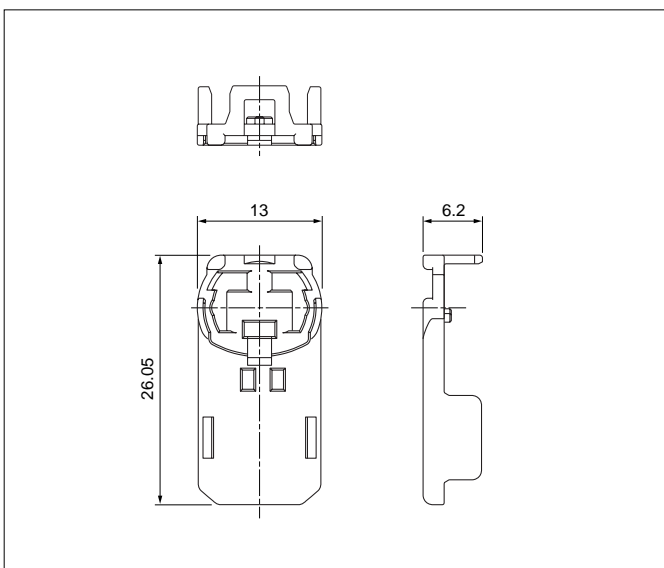
III code

Circuits	Model No.	Keying figure	Q'ty/box	Color
2	SQSKR-02H-1A-K	I code	500	Black
	SQSKR-02H-1B-LM	II code	500	Light green
	SQSKR-02H-1C-Y	III code	500	Yellow

Material

PBT

Cover housing

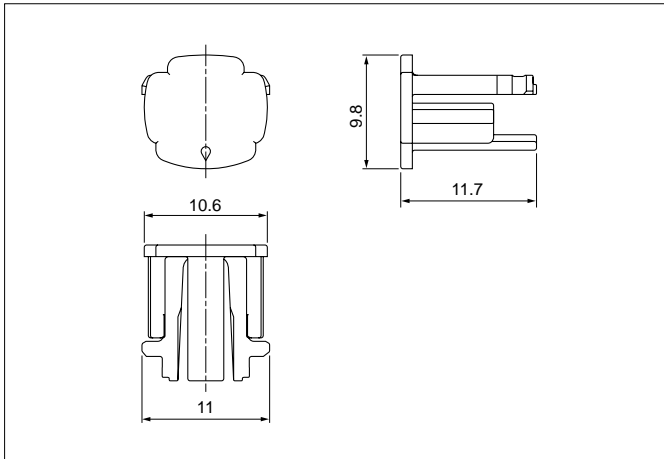


Circuits	Model No.	Q'ty/bag	Color
2	SQSKL-02H-2A-Y	1,000	Yellow

Material

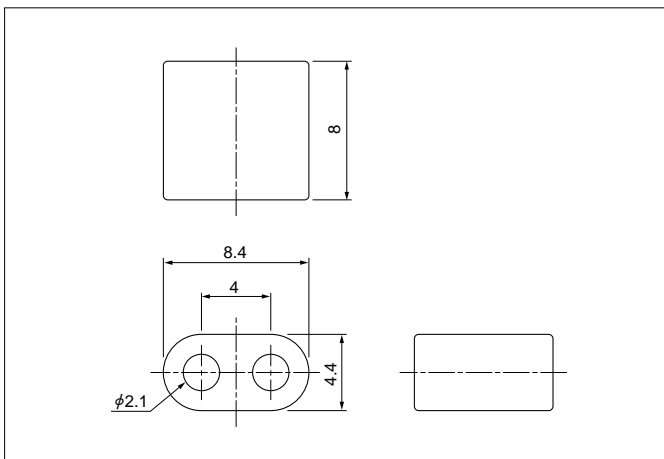
PBT

CPA housing



Circuits	Model No.	Q'ty/bag	Color
2	SQSKC-02H-1A-D	2,000	Orange
Material			
Glass-filled PBT			

Ferrite



Circuits	Model No.	Q'ty/box
2	SQSF-02-1A	1,000

Crimping machine, Applicator

Strip terminal	Crimping machine	Crimp applicator MKS-L	
		Dies	Crimp applicator with dies
SSQSK-A03GJ-P-R	AP-K2N	MK/SSQSK-A03-P	APLMK SSQSK-A03-P
SSQSK-A03GJ-P-L			

Note: When crimping operation is conducted using an applicator and die set other than the above, JST cannot guarantee the performance of the terminal.

Shunt ring

● Keying figure

I code **II code** **III code**

Circuits	Model No.	Keying figure	Q'ty/box	Color
2	02-SQSK-GI-2A-K	I code	6,000	Black
	02-SQSK-GI-2B-LM	II code	6,000	Light green
	02-SQSK-GI-2C-Y	III code	6,000	Yellow
Material and Finish				
SUS, nickel-undercoated, Selective gold-plated Glass-filled PBT				

SHUNT RING

Squib connectors

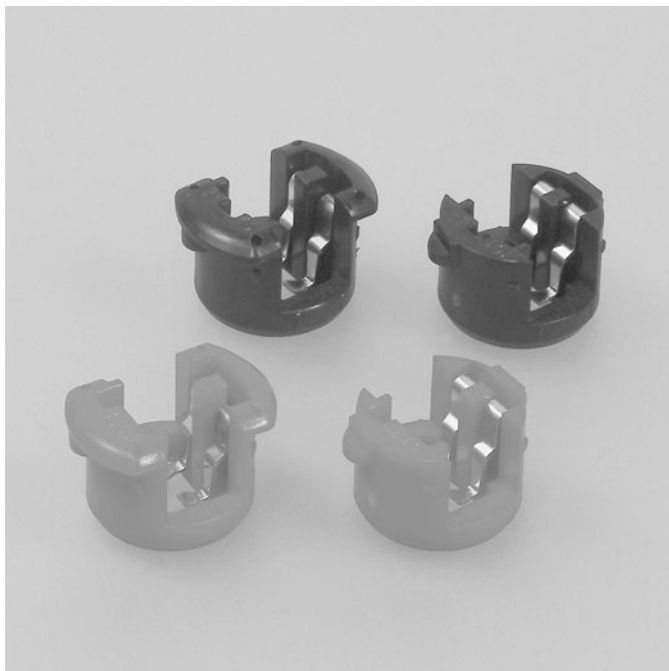
Features

● Scooping (kojiri) preventive construction

Using a shunt ring with a mating harness connector, the resistance to scooping (kojiri) insertion and withdrawal on the assembly line is improved.

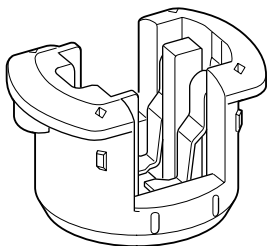
● VDA standard type

Shunt rings conforming to VDA standard are available in various keying codes and colors.

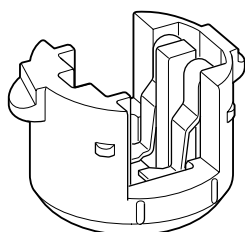


Connector for an inflator. This connector is available in various types and colors of scooping (kojiri) preventive type and VDA standard type.

● Anti-scooping (kojiri) type



● VDA standard type



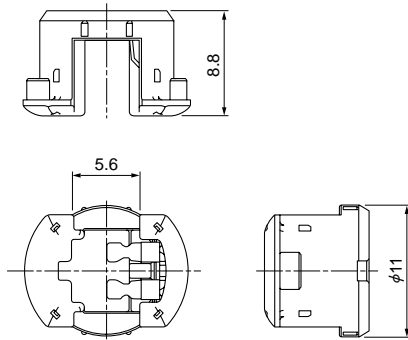
Specifications

- Temperature range: -30°C to $+80^{\circ}\text{C}$
(including temperature rise in applying electrical current)
- Insulation resistance: $100\text{M}\Omega$ min.

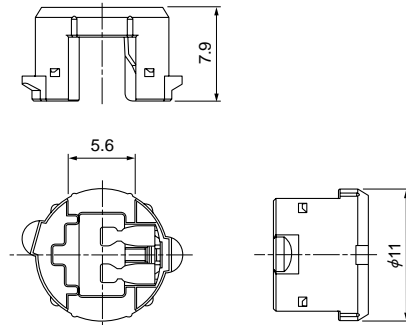
- * Compliant with ELV/RoHS.
- * Contact JST for details.

Shunt ring

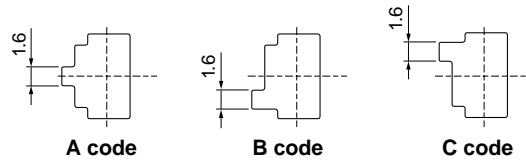
● Anti-scooping (kojiri) type



● VDA standard type



● Keying figure



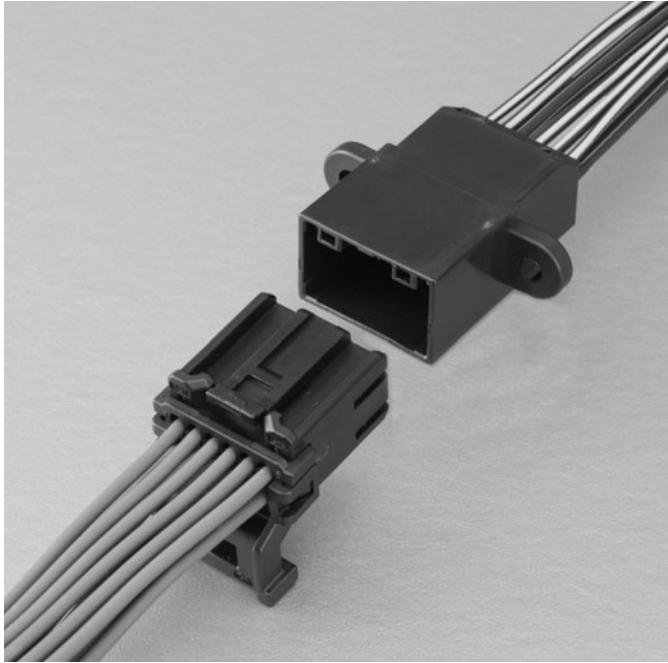
Type	Keying figure	Model No.	Q'ty/box	Color
Anti-scooping (kojiri) type	A code	02-SQS-GF-1A-K	3,000	Black
		02-SQS-GF-1A-Y	3,000	Yellow
		02-SQS-GF-1A-LP	3,000	Light purple
		02-SQS-GF-1A-N	3,000	Brown
		02-SQS-GF-1A-E	3,000	Blue
	B code	02-SQS-GF-1B-M	3,000	Green
C code	02-SQS-GF-1C-D	3,000	Orange	
VDA standard type	A code	02-SQS-GF-2A-K	10,000	Black
		02-SQS-GF-2A-R	10,000	Red
		02-SQS-GF-2A-E	10,000	Blue
		02-SQS-GF-2A-Y	10,000	Yellow
		02-SQS-GF-2A-LP	10,000	Light purple
	B code	02-SQS-GF-2B-M	10,000	Green
		02-SQS-GF-2B-H	10,000	Gray
	C code	02-SQS-GF-2C-MK	10,000	Mikan
		02-SQS-GF-2C-P	10,000	Purple
		02-SQS-GF-2C-D	10,000	Orange

Material and Finish

Terminal: Copper alloy, nickel-undercoated, Contact area; gold-plated
Housing: Glass-filled PBT

ARV CONNECTOR

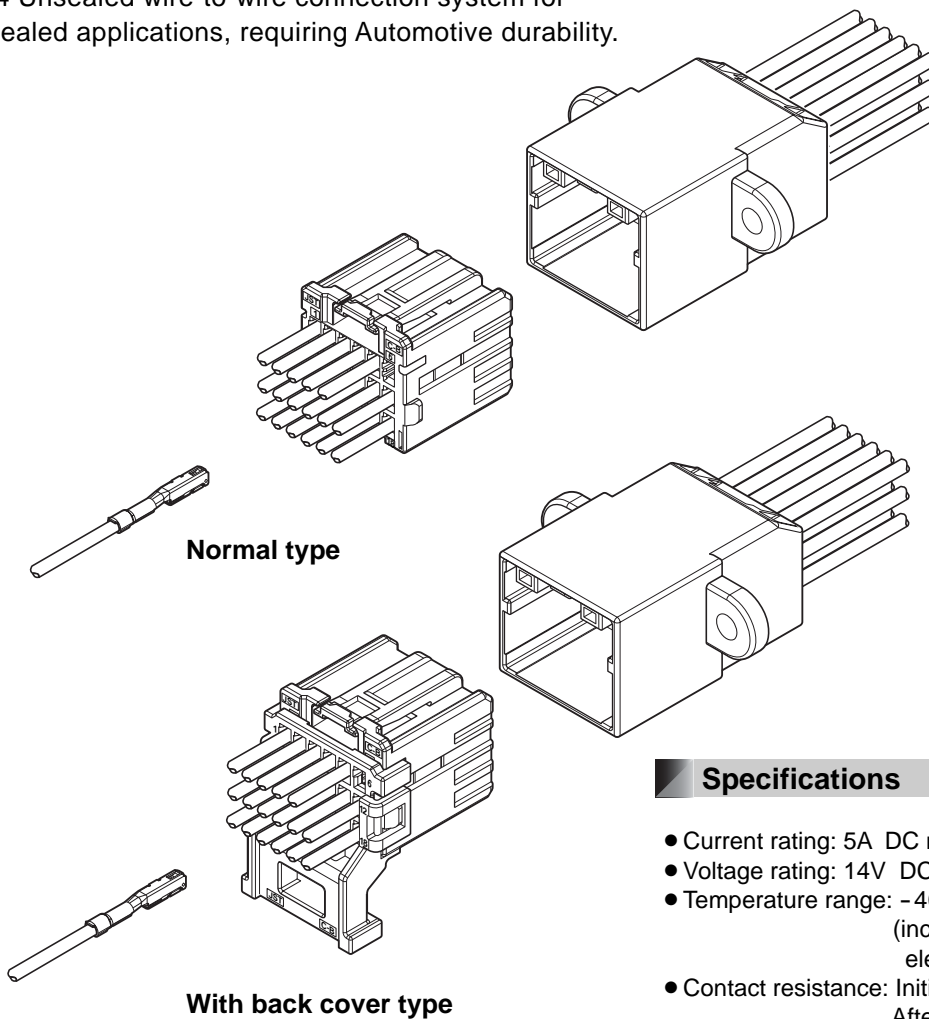
Wire-to-wire



Features

- 12 Circuits and 18 Circuits, Wire-to-Wire Connection
- Optional Wire Routing Attachment (to optimize packaging space)
- Versatile Mounting Options
- Latch Overstress Feature
- Both Female and Male Connectors utilize Independent Secondary Lock for Terminal retention

0.64 Unsealed wire-to-wire connection system for unsealed applications, requiring Automotive durability.

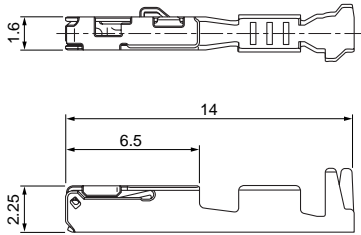


Specifications

- Current rating: 5A DC max.
- Voltage rating: 14V DC
- Temperature range: -40°C to $+125^{\circ}\text{C}$
(including temperature rise in applying electrical current)
- Contact resistance: Initial value/15m Ω max.
After environmental testing/15m Ω max.
- Insulation resistance: 100M Ω min.
- Applicable Wire: SAE/ AVSS / CAVS
0.3mm² to 0.8mm² (Female Terminal)
: SAE/AVSS/CAVS
0.3mm² to 0.5mm² (Male Terminal)

- * Compliant with ELV/RoHS.
- * Contact JST for details.

Female terminal



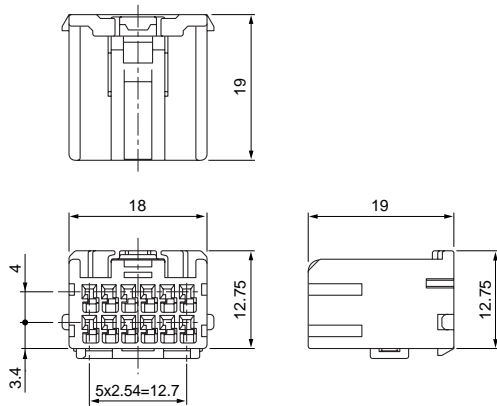
Model No.	Applicable wire range		Q'ty/reel
	Conductor (mm ²)	Insulation O.D. (mm)	
①SAIT-A03T-M064	0.3 to 0.5	≤1.9	6,500
①SAIT-A02T-M064	0.75 to 0.8	≤1.9	6,500
②SAIT-A03GF-M064	0.3 to 0.5	≤1.9	6,500
②SAIT-A02GF-M064	0.75 to 0.8	≤1.9	6,500

Material and Finish

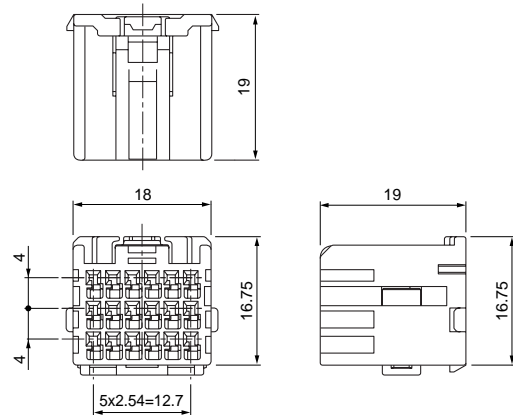
- ① Copper alloy, tin-plated (reflow treatment)
- ② Copper alloy, nickel-undercoated, Contact area; gold-plated Barrel area; tin-plated

Female connector

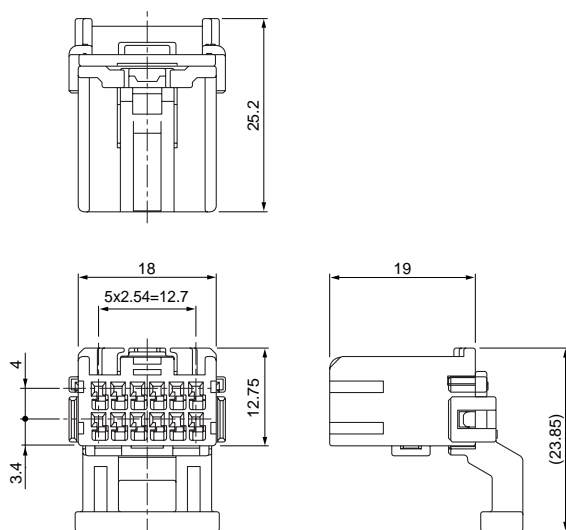
● 12 circuits



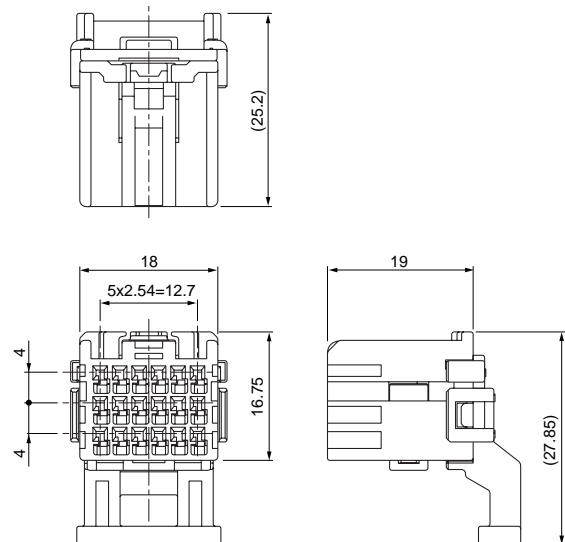
● 18 circuits



● 12 circuits (With back cover)



● 18 circuits (With back cover)



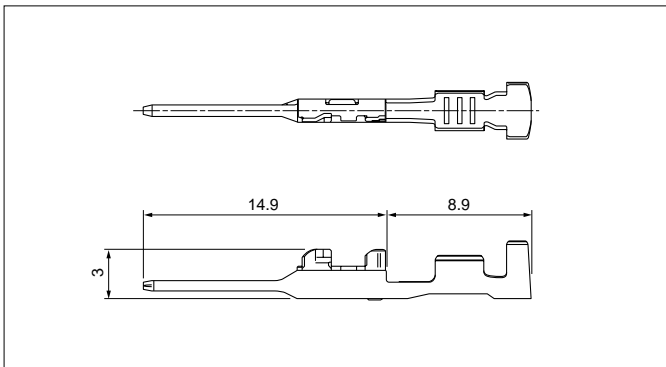
Circuits	Model No.	Back Cover	Q'ty/box
12	ARVPB-12-2AK	No	1,500
	ARVPB-12C12-2AK	Yes	1,000
18	ARVPB-18-3AK	No	1,500
	ARVPB-18C18-3AK	Yes	1,000

Material

Housing: PBT, black
 TPA: Glass-filled PBT, natural (white)
 Back cover: Glass-filled PBT, black

ARV CONNECTOR

Male terminal

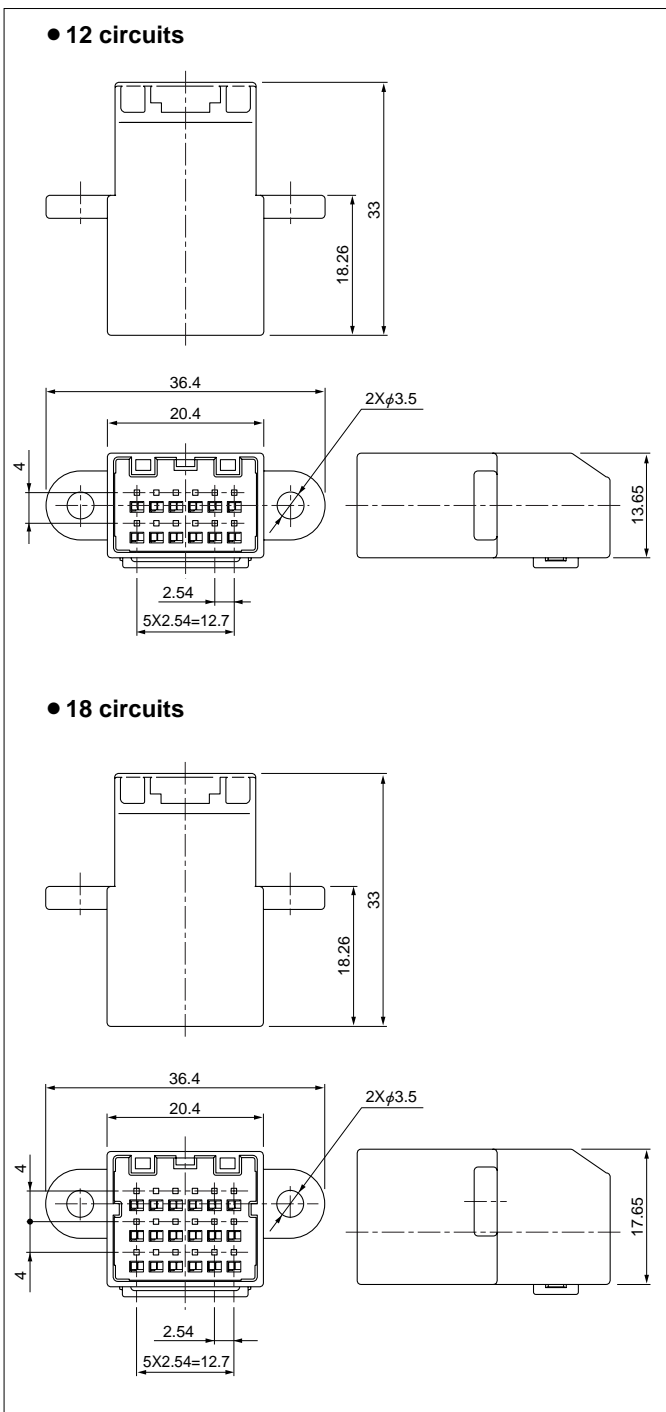


Model No.	Applicable wire range		Q'ty/reel
	Conductor (mm ²)	Insulation O.D. (mm)	
① SNAC3W-A021T-0.64	0.3 to 0.5	1.4 to 1.8	5,000
② SNAC3W-A021GF-0.64	0.3 to 0.5	1.4 to 1.8	5,000

Material and Finish

- ① Brass, tin-plated (reflow treatment)
- ② Brass, nickel-undercoated, Female contact area; gold-plated Barrel area; tin-plated

Male connector



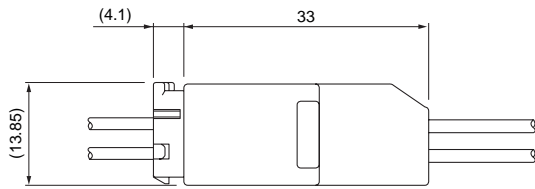
Circuits	Model No.	Q'ty/box
12	ARWSB-12-2AK	1,000
18	ARWSB-18-3AK	750

Material

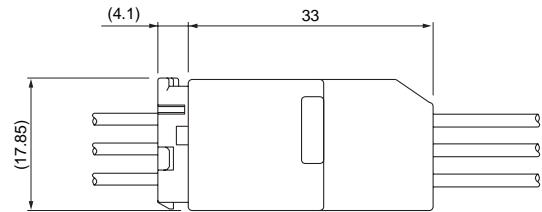
Housing: PBT, black
TPA: Glass-filled, natural (white)

Assembly layout

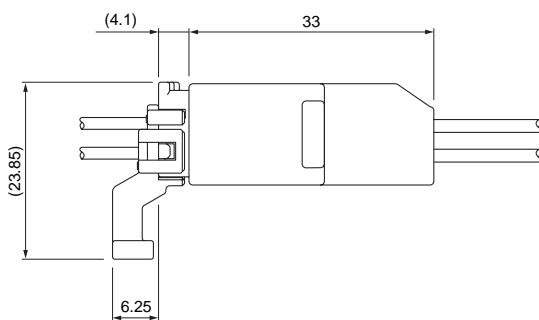
● 12 circuits



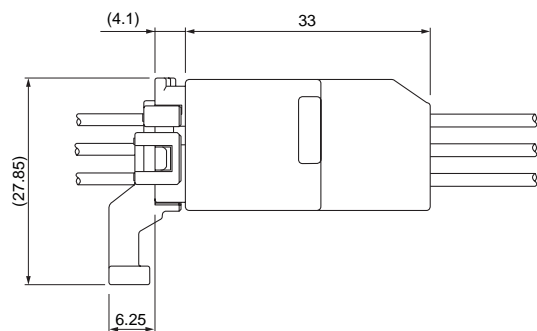
● 18 circuits



● 12 circuits (With back cover)



● 18 circuits (With back cover)



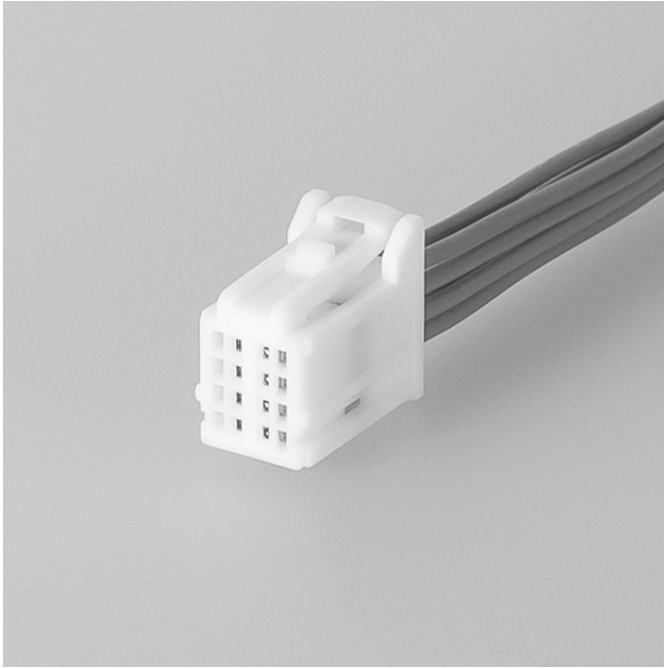
Crimping machine, Applicator

Strip terminal	Crimping machine	Crimp applicator MKS-L	
		Dies	Crimp applicator with dies
SAIT-A03()-M064	AP-K2N	MK/SAIT-A03-064	APLMK SAIT-A03-064
SAIT-A02()-M064		MK/SAIT-A02-064	APLMK SAIT-A02-064
SNAC3W-A021()-0.64		MK/SNAC3W-A021-064	APLMK SNAC3W-A021-064

Note: When crimping operation is conducted using an applicator and die set other than the above, JST cannot guarantee the performance of the terminal.

NAC-I CONNECTOR

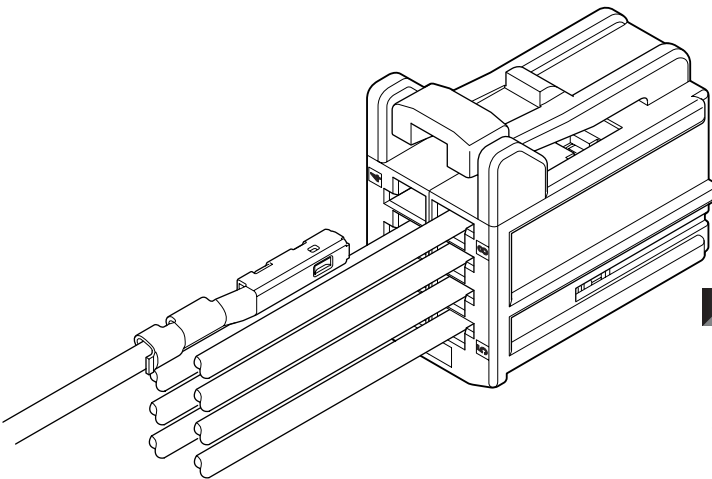
Wire-to-wire



Features

- Compact Design, Independent Secondary Lock (Terminal Position Assurance)
- Accept 0.64 to 1.2mm Blade
- 2X4 Circuit Design

Low profile dual row connector compliant with the USCAR performance specifications.
For general automotive applications.

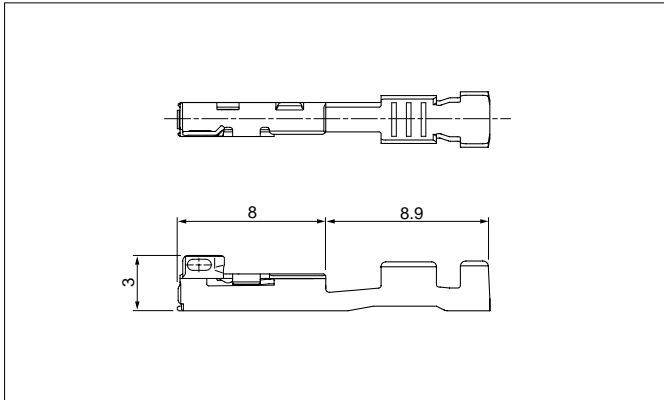


Specifications

- Current rating: 5A DC max.
- Voltage rating: 14V DC
- Temperature range: -40°C to +85°C
(including temperature rise in applying electrical current)
- Contact resistance: Initial value/20mΩ max.
After environmental testing/20mΩ max.
- Insulation resistance: 20MΩ min.
- Applicable wire: SAE/ AVSS/ CAVS
0.3mm² to 0.5mm²

- * Compliant with ELV/RoHS.
- * Contact JST for details.

Female terminal

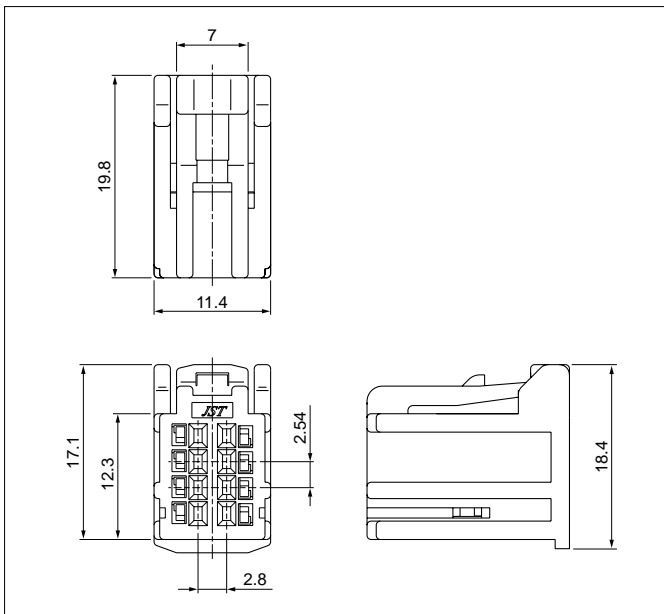


Model No.	Applicable wire range		Q'ty/reel
	Conductor (mm ²)	Insulation O.D. (mm)	
SNAC-A03T-M040	0.3 to 0.5	≤1.9	5,000

Material and Finish

Copper alloy, tin-plated (reflow treatment)

Female housing

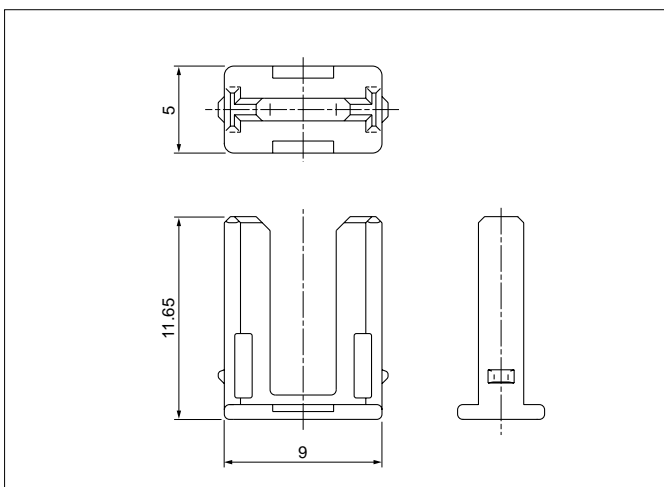


Circuits	Model No.	Q'ty/box
8	NACP-08-S	2,000

Material

PBT, natural (white)

Female retainer



Circuits	Model No.	Q'ty/box
8	NACS-08-E	2,000

Material

PBT, blue

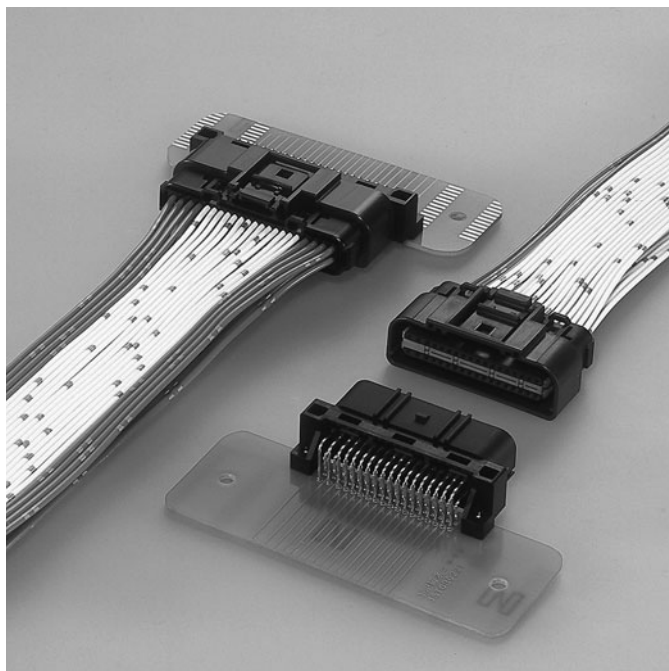
Crimping machine, Applicator

Strip terminal	Crimping machine	Crimp applicator MKS-L	
		Dies	Crimp applicator with dies
SNAC-A03T-M040	AP-K2N	MK/SNAC-A03-040	APLMK SNAC-A03-040

Note: When crimping operation is conducted using an applicator and die set other than the above, JST cannot guarantee the performance of the terminal.

WPZ CONNECTOR

Sealed connectors/Board-to-wire



This is a multi-circuit sealed connector that achieves low profile and miniaturization.

Features

●Low insertion force, high contact reliability

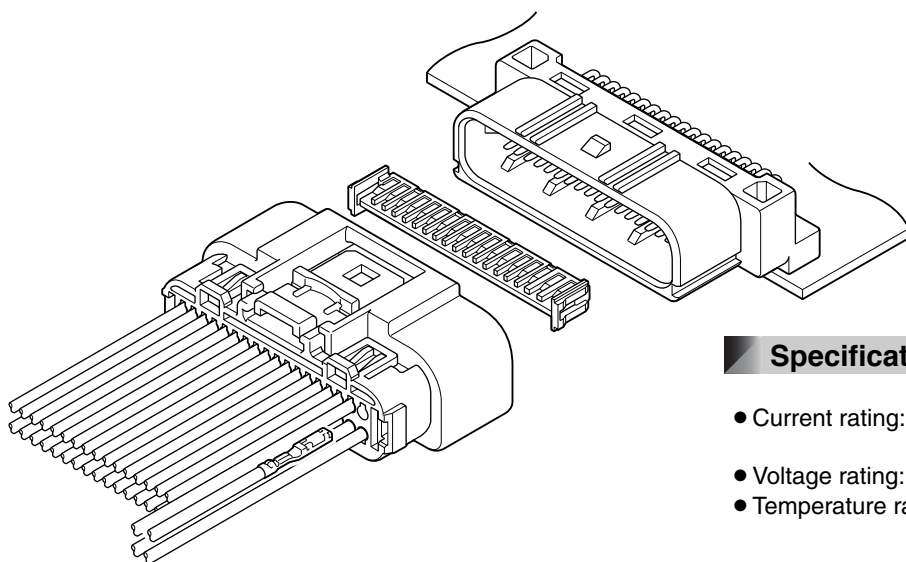
Gold plating is used for surface finish of contact part of a terminal so that low insertion force and high contact reliability are realized.

●Lock protection structure

This connector has the lock protection structure that prevents serious deformation of lock and pinching wires. When mating connector, or assembling wire harness with header, it prevents breakage of lock.

●Sealed

Mat seal is adopted for improving the workability of harness assembling.



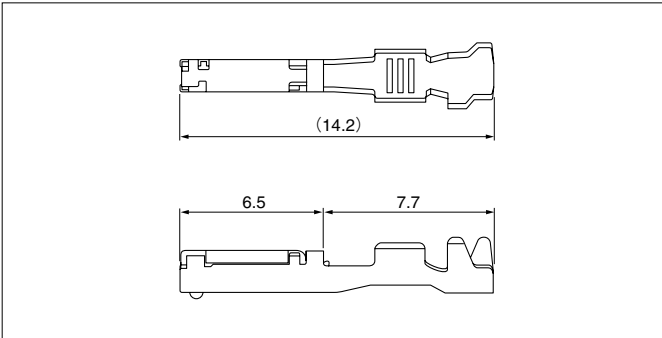
Specifications

- Current rating: Signal/3A AC, DC (0.5mm², Single circuit)
Power/7A AC, DC (1.25mm², Single circuit)
- Voltage rating: 200V AC, DC
- Temperature range: -40°C to +125°C
(including temperature rise in applying electrical current)
- Contact resistance: Initial value/5mΩ max.
After environmental testing/10mΩ max.
- Insulation resistance: 100MΩ min.
- Withstanding voltage: 1,000V AC/minute
- Applicable wire: Signal/0.3mm² to 0.5mm²
Power/0.75mm² to 1.25mm²

* Compliant with ELV/RoHS.
* Contact JST for details.

WPZ CONNECTOR

Female terminal

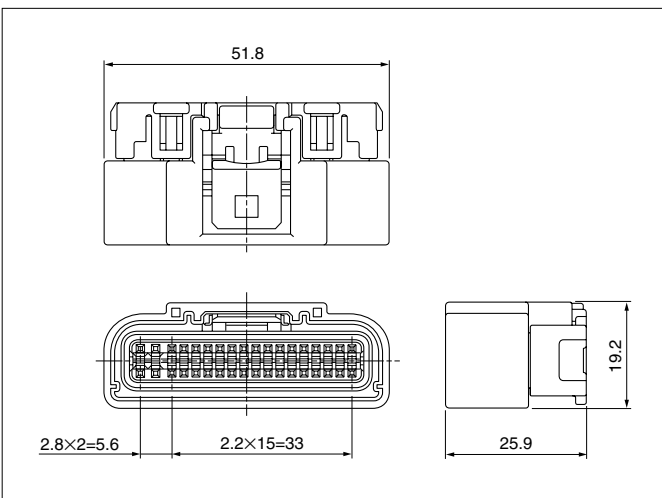


Terminal	Model No.	Applicable wire range		Q'ty/reel
		Conductor (mm ²)	Insulation O.D. (mm)	
S	SWPZ-A031GG-M025	0.3 to 0.5	1.4 to 1.8	8,000
M	SWPZ-A041GG-M025	0.75 to 1.25	1.8 to 2.2	6,000

Material and Finish

Copper alloy, nickel-undercoated,
Contact area; gold-plated
Barrel area; tin-plated (reflow treatment)

Female housing

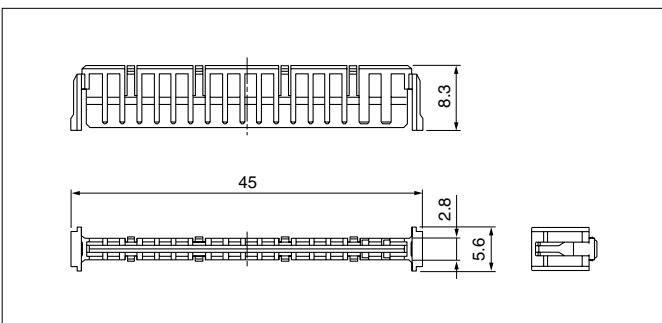


Circuits	Model No.	Q'ty/box
36	WPZFBC-36-KKA	192

Material

Housing: PBT, black
Connector seal: Silicon, brown
Seal cover: PBT, black
Wire seal: Silicone, brown

Retainer

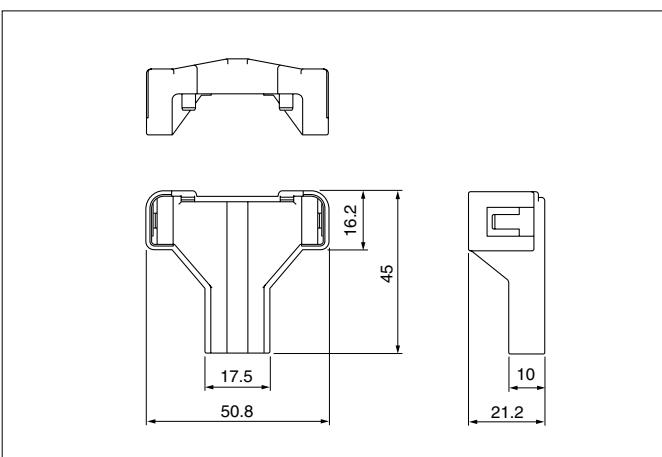


Circuits	Model No.	Q'ty/box
36	WPZT-36-P	150

Material

PBT, light purple

Wire cover

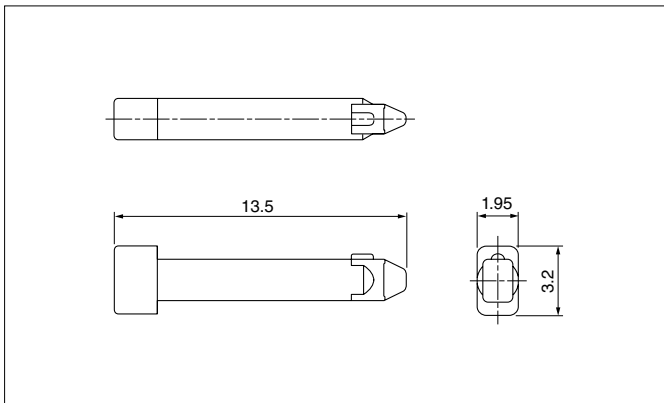


Model No.	Q'ty/box
WPZC-36-WV	100

Material

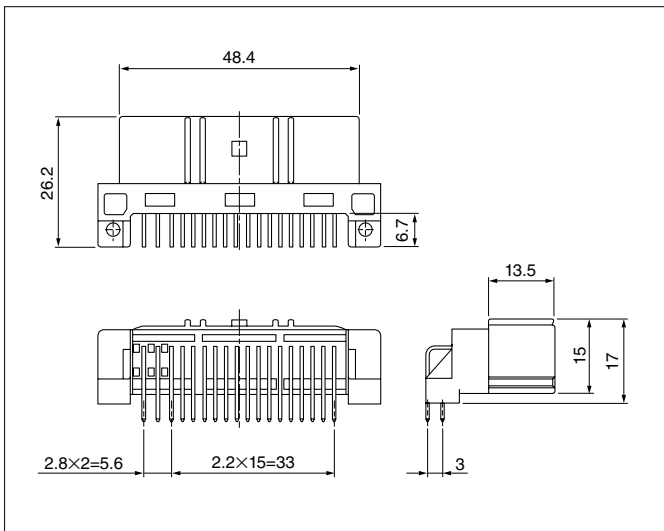
PP, white

Dummy plug



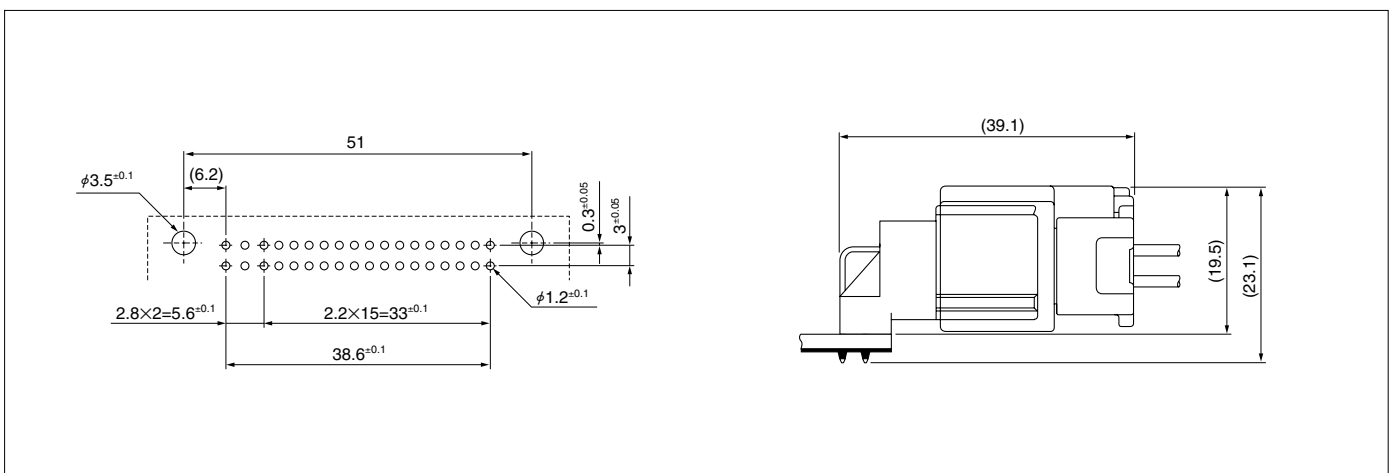
Model No.	Q'ty/box
WPZD-P	3,000
Material	
PBT, light purple	

Header



Circuits	Model No.	Q'ty/box
36	S36B-WPZK-A	192
Material and Finish		
Pin: Brass, nickel-undercoated, Contact area: gold-plated Solder tail: tin/copper plated Housing: PBT, black		

PC board layout, Assembly layout



- Note: 1. Tolerances are non-cumulative: $\pm 0.05\text{mm}$ for all centers.
 2. Hole dimensions differ according to the type of PC board and piercing method.
 The dimensions above should serve as guideline. Contact JST for details.

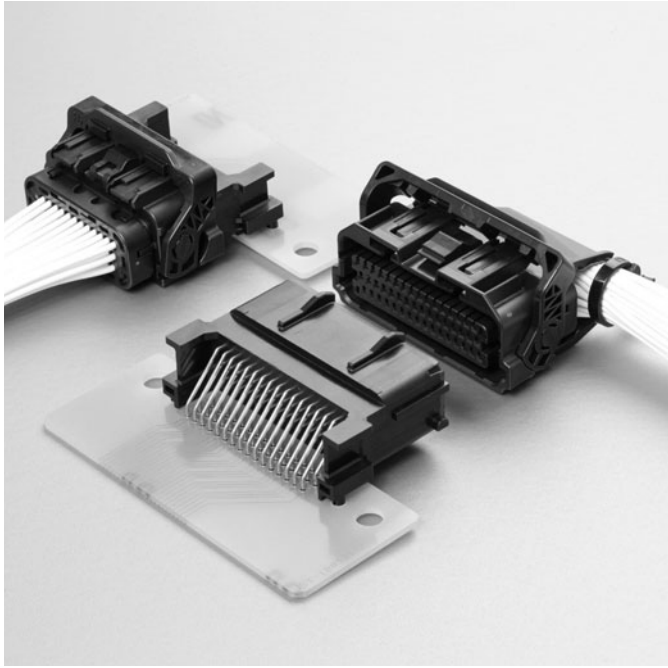
Crimping machine, Applicator

Strip terminal	Crimping machine	Crimp applicator MKS-L	
		Dies	Crimp applicator with dies
SWPZ-A031GG-M025	AP-K2N	MK/SWPZ-A031-025	APLMK SWPZ-A031-025
SWPZ-A041GG-M025		MK/SWPZ-A041-025	APLMK SWPZ-A041-025

Note: When crimping operation is conducted using an applicator and die set other than the above, JST cannot guarantee the performance of the terminal.

ZRO CONNECTOR

Board-to-wire



This connector is an interface connector, 48 and 36 circuits sealed and lever type.

Features

●Improvement of Operability

The lever is adopted to decrease the connector mating force. The fixing part to PC board is snap fit configuration in consideration of the workability when assembling.

●Sealed

Mat seal is adopted for improving the workability of wire seal part.

●Durability

Heat resistant specification corresponding to 120°C.

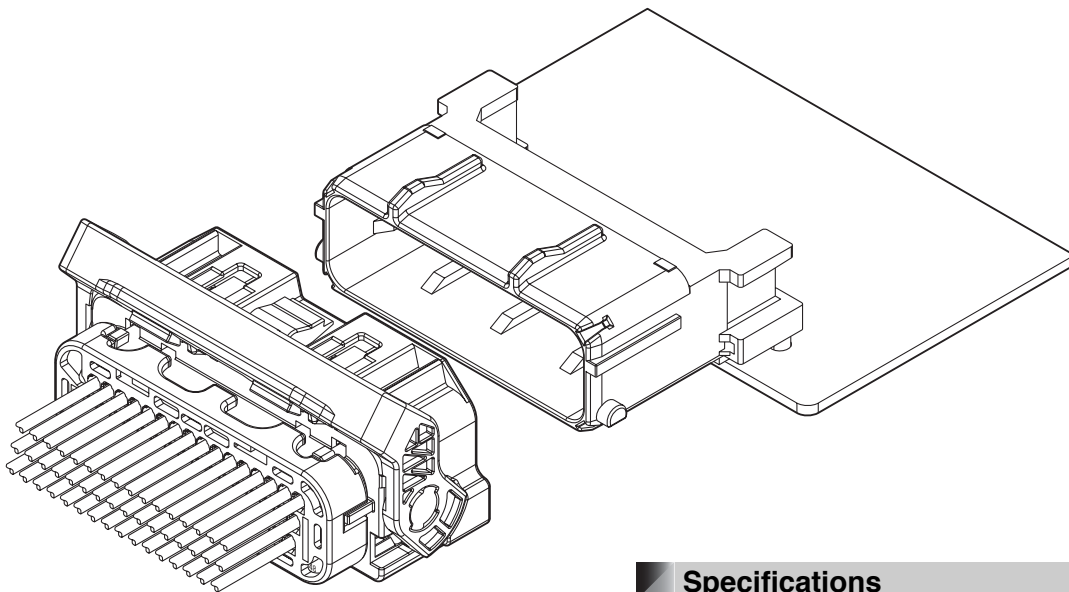
●Reduced waste structure

Low cost and low resources are realized by abolishing use of the wire rod pin and the alignment board.

●Variations

This connector is available in two kinds of keying codes. If the harness cover of an option is used, the harness can be taken out from the side.

Circuits: Lineup of 48 and 36 circuits.



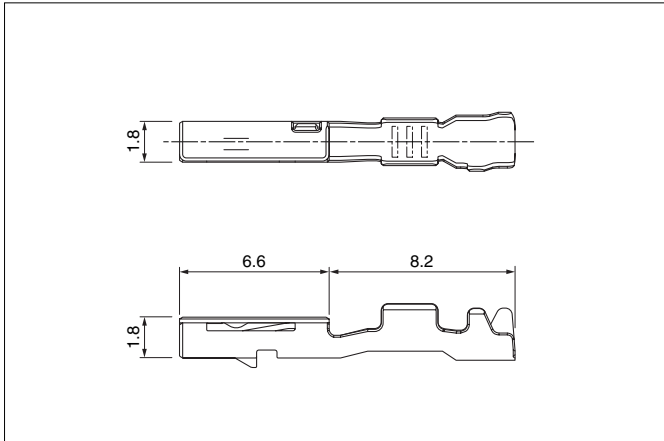
Specifications

- Current rating: Power/ 7A DC
Signal/ 5A DC
- Voltage rating: 50V DC
- Temperature range: -40°C to +120°C
(including temperature rise in applying electrical current)
- Contact resistance: Initial value/8mΩ max.
After environmental testing/16mΩ max.
- Insulation resistance: 100MΩ min.
- Withstanding voltage: 1,000V AC/minute
- Applicable wire: AVSS 0.5mm² to 0.85mm²
AESSX-f 0.5mm² to 0.75mm²

* Compliant with ELV/RoHS.

* Contact JST for details.

Female terminal



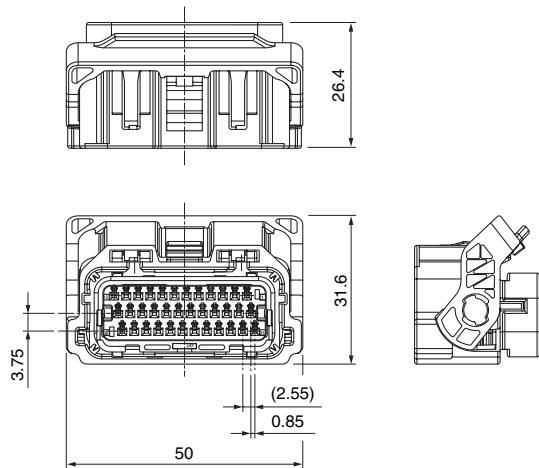
Model No.	Applicable wire range		Q'ty/reel
	Conductor (mm ²)	Insulation O.D. (mm)	
SZRO-A021T-M0.64	0.3 to 0.5	1.6 to 1.7	7,500
SZRO-A031T-M0.64	0.75 to 0.85	1.8 to 1.9	7,000

Material and Finish

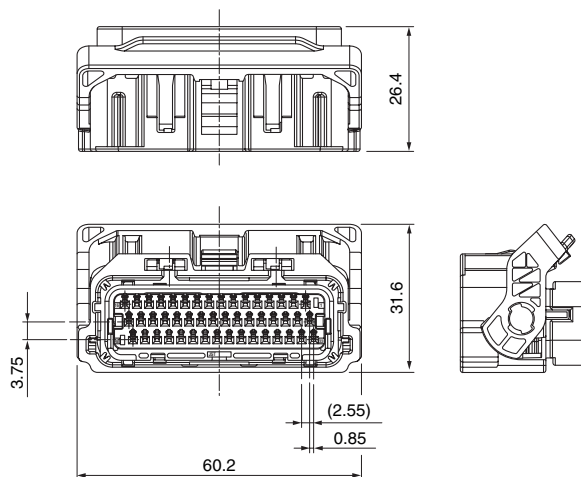
Copper alloy, tin-plated (reflow treatment)

Female connector

• 36 circuits



• 48 circuits



Circuits	Model No.	Key Code	Q'ty/box	Housing Color
36	36ZRO-B-1A	A	512	Black
	36ZRO-B-1B	B	512	Gray
48	48ZRO-B-1A	A	384	Black
	48ZRO-B-1B	B	384	Gray

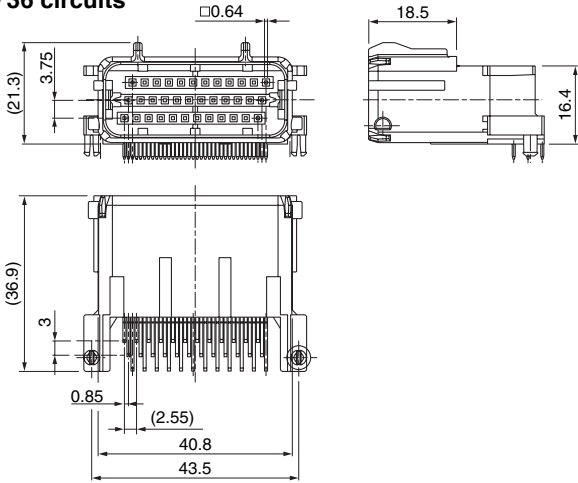
Material and Finish

Housing: Glass-filled PBT
Seal: Silicone
Lever: POM

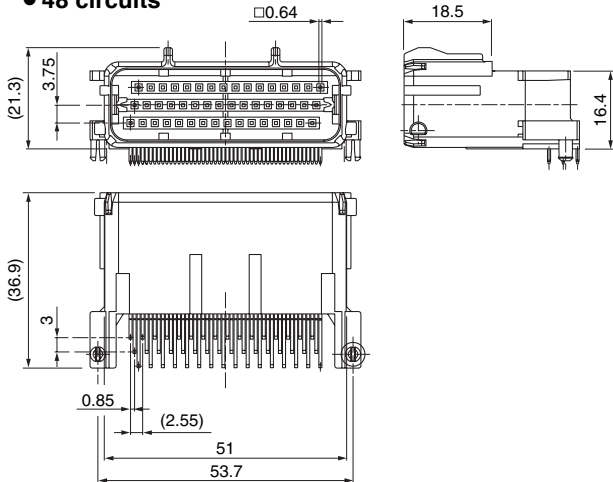
ZRO CONNECTOR

Male connector

● 36 circuits



● 48 circuits



Type	Circuits	Model No.	Key Code	Q'ty/box	Housing Color
Normal	36	S36B-ZROK-2A-R	A	240	Black
		S36B-ZROH-2B-R	B		Gray
	48	S48B-ZROK-2A-R	A	192	Black
		S48B-ZROH-2B-R	B		Gray
Case lock	36	S36B-ZROK-3A-R	A	240	Black
		S36B-ZROH-3B-R	B		Gray
	48	S48B-ZROK-3A-R	A	192	Black
		S48B-ZROH-3B-R	B		Gray

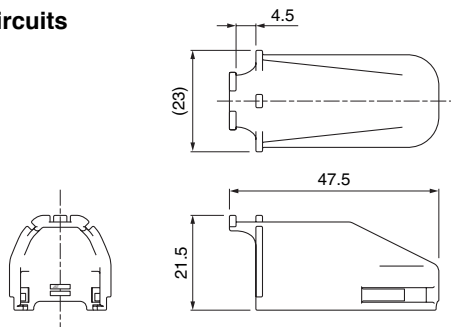
Material and Finish

Housing: Glass-filled PBT

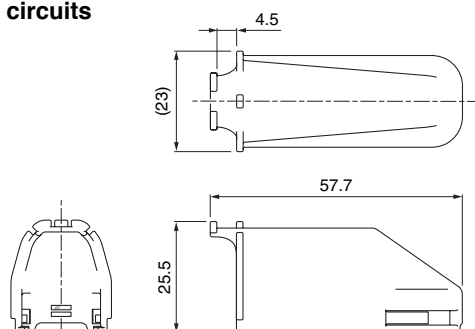
Pin: Brass, tin-plated (reflow treatment)

Harness cover

● 36 circuits



● 48 circuits

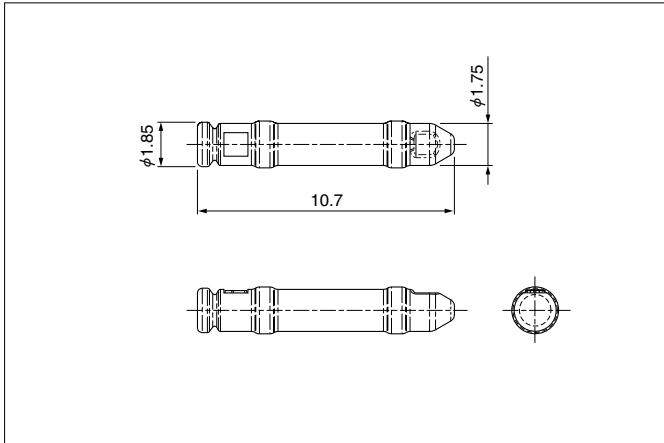


Circuits	Model No.	Q'ty/box	Housing Color
36	ZROHC-36H-K	900	Black
48	ZROHC-48H-K	600	Black

Material

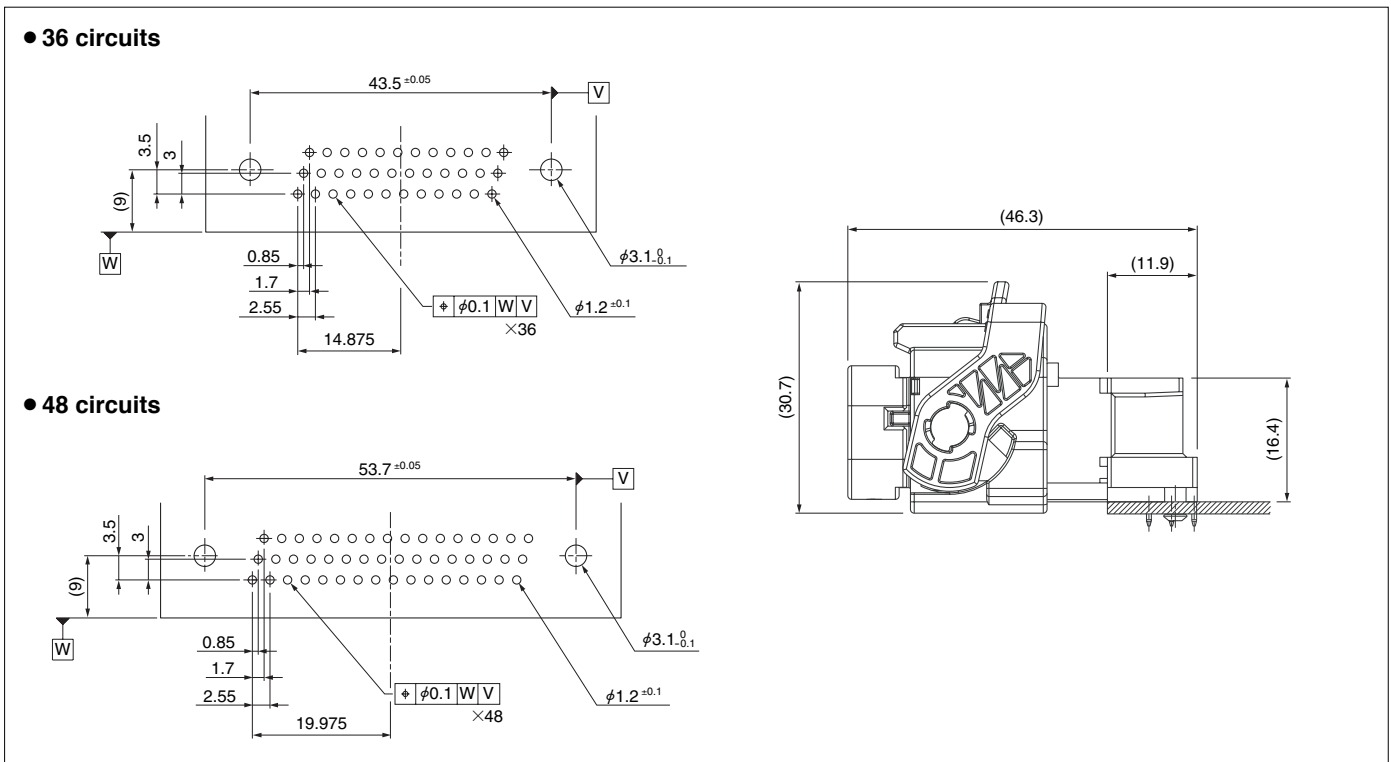
Glass-filled PBT

Dummy plug



Model No.	Q'ty/box
WPHDP-H-1A-H	7,000
Material	
PBT, gray	

PC board layout, Assembly layout



Crimping machine, Applicator

Strip terminal	Crimping machine	Crimp applicator MKS-L	
		Dies	Crimp applicator with dies
SZRO-A021T-M0.64	AP-K2N	MK/SWPH-A021-064	APLMK SWPH-A021-064
SZRO-A031T-M0.64		MK/SZRO-A031-064	APLMK SZRO-A031-064

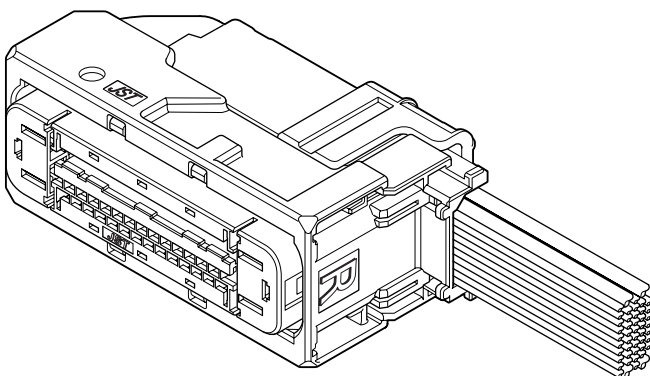
Note: When crimping operation is conducted using an applicator and die set other than the above, JST cannot guarantee the performance of the terminal.



47 Circuits 0.64/6.3 Hybrid Sealed Connector compliant with the USCAR footprints and performance standard. Designed for ABS application.

Features

- 47 circuits: 0.64/6.3 Hybrid Sealed Connector
- Compliant with the Standard USCAR Footprints
- Ergonomic, dual action lever mechanism design for low Mating Force
- Alternative Cable routing design
- Flash-Over options are available for blocking unused circuits
- Cable protector (optional) for additional cable protection

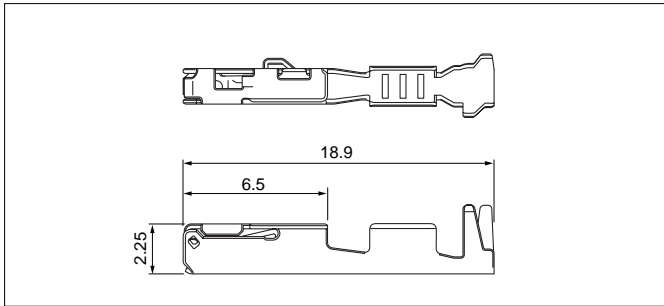


Specifications

- Current rating: 0.64 Terminal; 5A DC max.
6.3 Terminal; 40A DC max.
- Voltage rating: 14V DC
- Temperature range: -40°C to +125°C
(including temperature rise in applying electrical current)
- Contact resistance:
0.64 Terminal; Initial value/20mΩ max.
After environmental testing/20mΩ max.
6.3 Terminal; Initial value/1.5mΩ max.
After environmental testing/1.5mΩ max.
- Insulation resistance: 20MΩ min.
- Applicable wire:
0.64 Terminal; SAE/ AVSS/ CAVS 0.3mm² to 0.8mm²
6.3 Terminal; 2.5mm² (AWG#12)

* Compliant with ELV/RoHS.
* Contact JST for details.

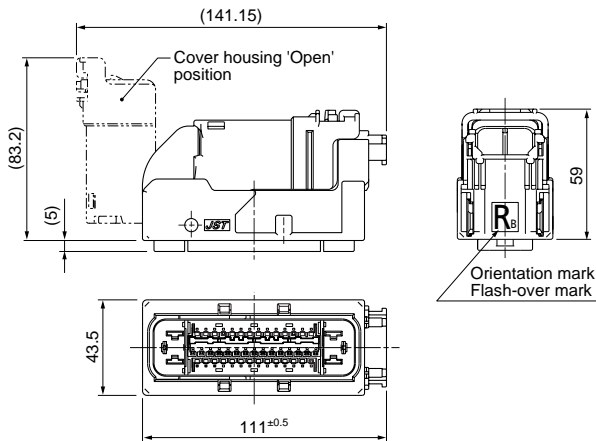
Female terminal



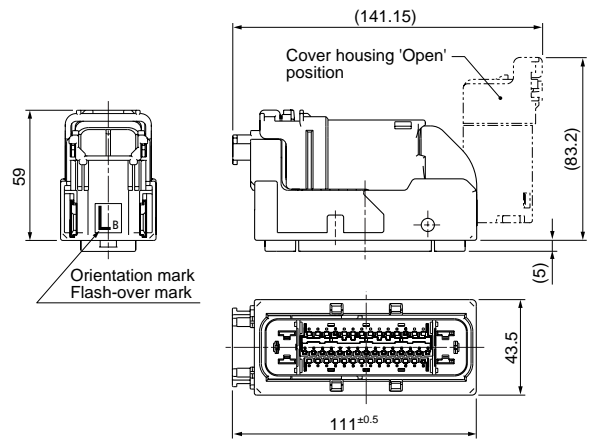
Model No.	Applicable wire range		Q'ty/reel
	Conductor (mm ²)	Insulation O.D. (mm)	
①SAITS-A03T-M064	0.3 to 0.5	≤1.9	6,500
①SAITS-A02T-M064	0.75 to 0.8	≤1.9	6,500
②GT630 or equivalent Terminal (Customer specified terminal.)			
Material and Finish			
①Copper alloy, tin-plated (reflow treatment)			
②Copper alloy (refer to Delphi for detail)			

Female connector

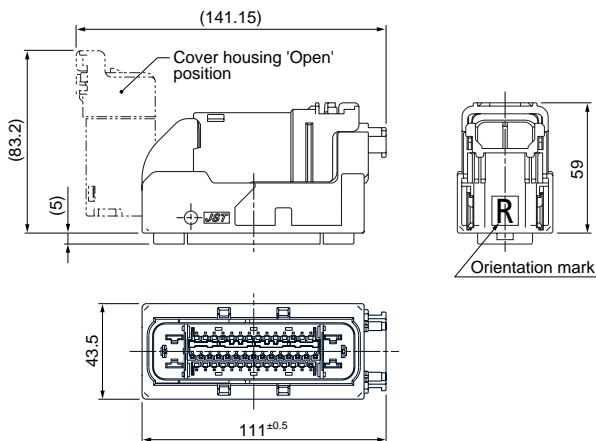
● ASGPB-1547R2A-K (Flash-over option)



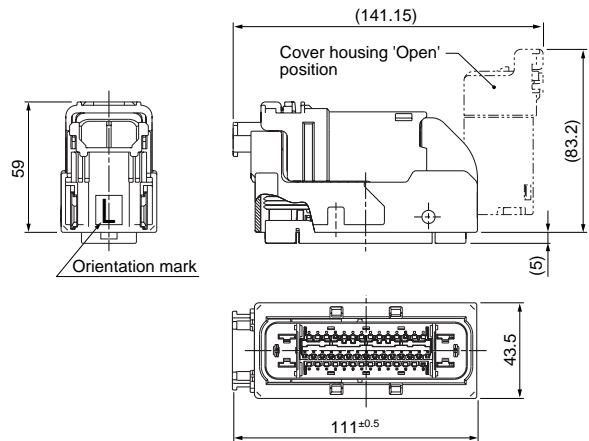
● ASGPB-1547L2A-K (Flash-over option)



● ASGPB-47R1A-K



● ASGPB-47L1A-K



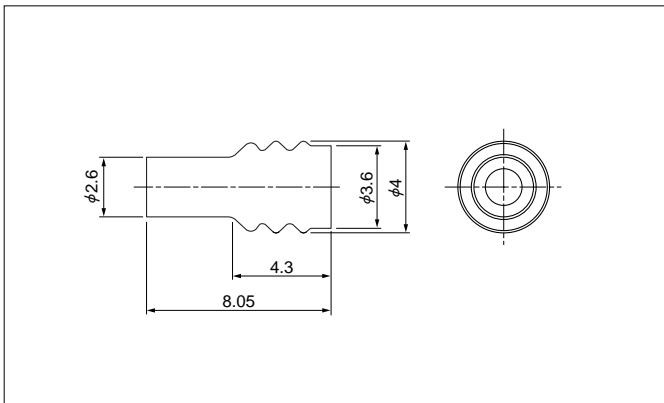
Circuits		Model No.	Q'ty/box
6.3	0.64		
4	11	ASGPB-1547R2A-K	70
		ASGPB-1547L2A-K	70
	43	ASGPB-47R1A-K	70
		ASGPB-47L1A-K	70

Material

Housing: Glass-filled PBT, black
 Lever: Glass-filled PBT, black
 Slide: Glass-filled PA, black
 Ring seal: Silicone, green
 TPA: Glass-filled PBT, natural (white)

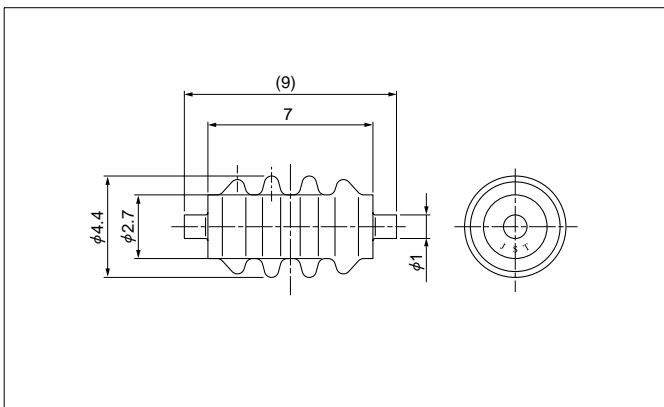
ASG CONNECTOR

Wire seal



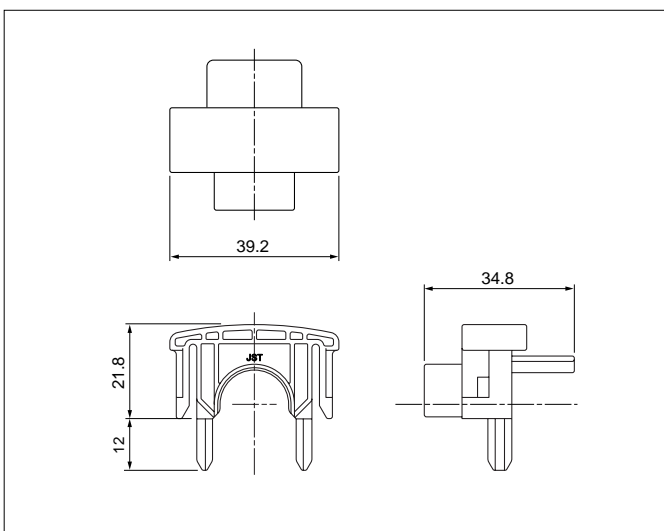
Model No.	Applicable wire range		Q'ty/box	Color
	Conductor (mm ²)	Insulation O.D. (mm)		
A03CS-AIT-M	0.3 to 0.5	1.6 to 1.9	50,000	Green
A04CS-AIT-N	0.75 to 0.8	1.2 to 1.6	50,000	Brown
Material				
Silicon				

Plug



Model No.	Q'ty/box
064PLG-AIT-R	10,000
Material	
Silicon, red	

Cable protector



Model No.	Q'ty/box
ASGC-1547-2A-K	1,000
Material	
PBT, black	

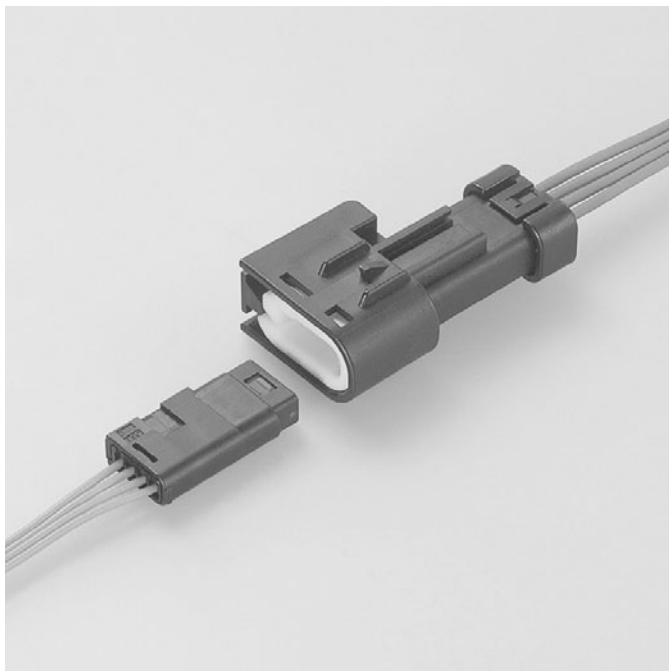
Crimping machine, Applicator

Strip terminal	Crimping machine	Crimp applicator MKS-L	
		Dies	Crimp applicator with dies
SAITS-A03T-M064	AP-K2N	MK/SAITS-A03-064	APLMK SAITS-A03-064
SAITS-A02T-M064		MK/SAITS-A02-064	APLMK SAITS-A02-064

Note: When crimping operation is conducted using an applicator and die set other than the above, JST cannot guarantee the performance of the terminal.

SAC CONNECTOR

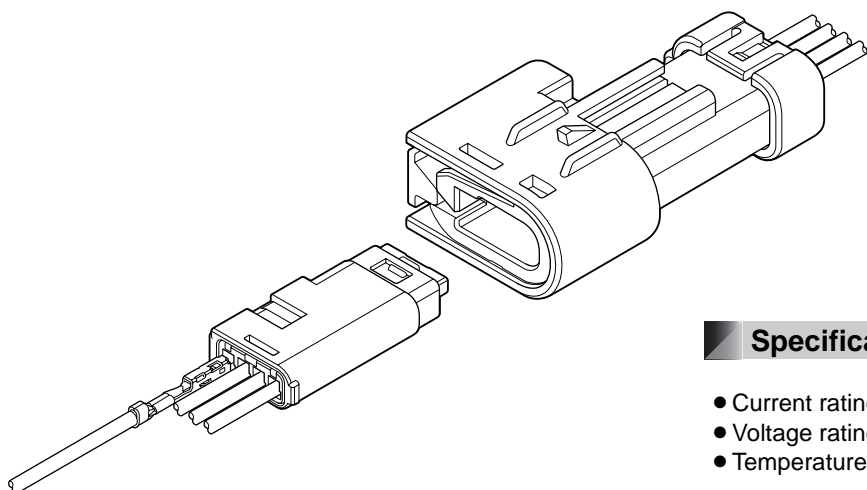
Sealed connectors/Wire-to-wire



Features

- Ultra Miniaturized 0.64 Sealed Female Connector for extremely tight packaging conditions

Miniaturized 0.64mm Sealed wire-to-wire connector for automotive application.

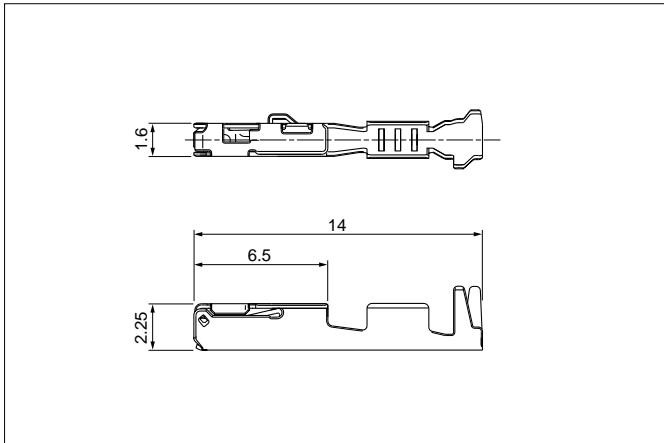


Specifications

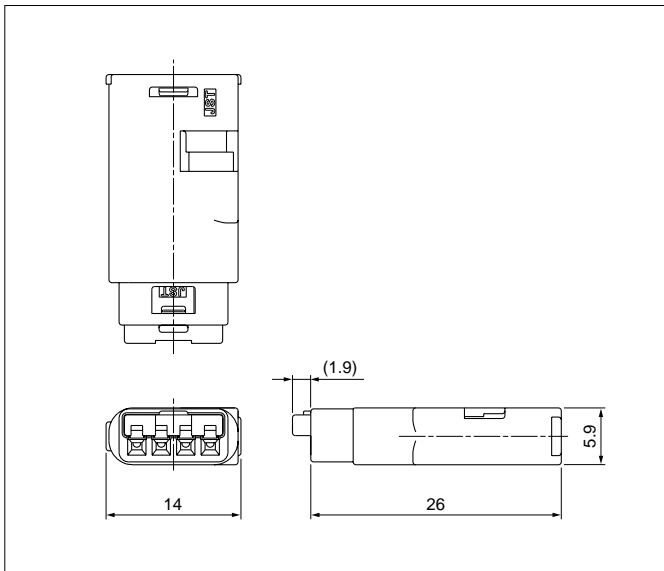
- Current rating: 5A DC max.
- Voltage rating: 14V DC
- Temperature range: -40°C to +125°C
(including temperature rise in applying electrical current)
- Contact resistance: Initial value/15mΩ max.
After environmental testing/15mΩ max.
- Insulation resistance: 100MΩ min.
- Applicable wire: SAE/ AVSS/ CAVS
0.3mm² to 0.8mm²

- * Compliant with ELV/RoHS.
- * Contact JST for details.

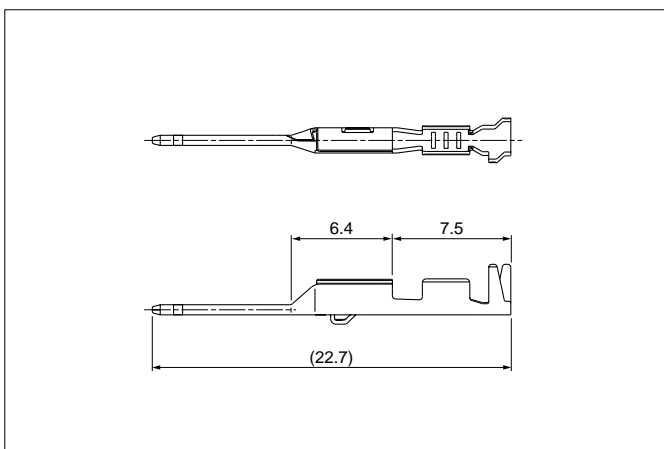
Female terminal



Female connector



Male terminal



Model No.	Applicable wire range		Q'ty/reel
	Conductor (mm ²)	Insulation O.D. (mm)	
①SAIT-A03T-M064	0.3 to 0.5	≤1.9	6,500
①SAIT-A02T-M064	0.75 to 0.8	≤1.9	6,500
②SAIT-A03GF-M064	0.3 to 0.5	≤1.9	6,500
②SAIT-A02GF-M064	0.75 to 0.8	≤1.9	6,500

Material and Finish

- ①Copper alloy, tin-plated (reflow treatment)
- ②Copper alloy, nickel-undercoated, Contact area; gold-plated
Barrel area; tin-plated

Circuits	Model No.	Q'ty/box
4	SACWPB-04-K	400

Material

Housing: Glass-filled PBT, black
 TPA: Glass-filled PBT, red
 Cover: Glass-filled PBT, black
 Connector seal: Silicone, green

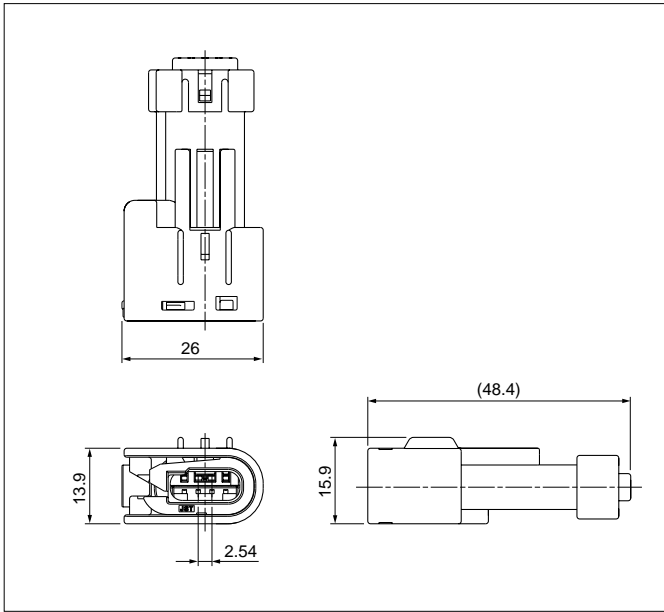
Model No.	Applicable wire range		Q'ty/reel
	Conductor (mm ²)	Insulation O.D. (mm)	
①SAITW-A03T-064	0.3 to 0.5	≤1.9	7,000
①SAITW-A02T-064	0.75 to 0.8	≤1.9	7,000
②SAITW-A03GF-064	0.3 to 0.5	≤1.9	7,000
②SAITW-A02GF-064	0.75 to 0.8	≤1.9	7,000

Material and Finish

- ①Brass, tin-plated (reflow treatment)
- ②Brass, nickel-undercoated, Contact area; gold-plated
Barrel area; tin-plated

SAC CONNECTOR

Male connector

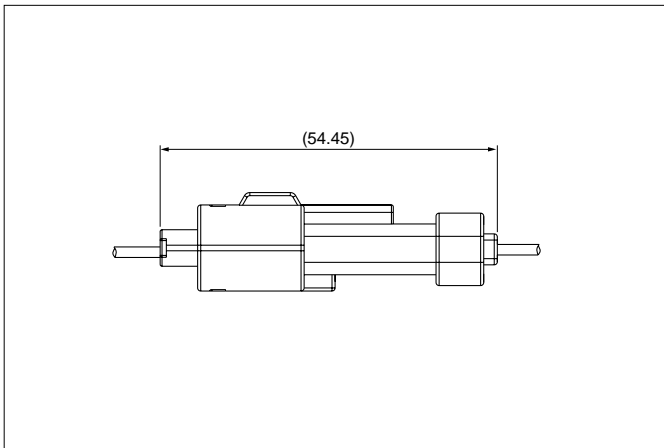


Circuits	Model No.	Q'ty/box
4	SACWSB-04-K	100

Material and Finish

Housing: Glass-filled PBT, black
 Retainer: Glass-filled PBT, red
 Back cover: Glass-filled PBT, black
 Ring seal & Wire seal: Silicone, green
 Retention clip: Glass-filled PBT, natural (white)

Assembly layout



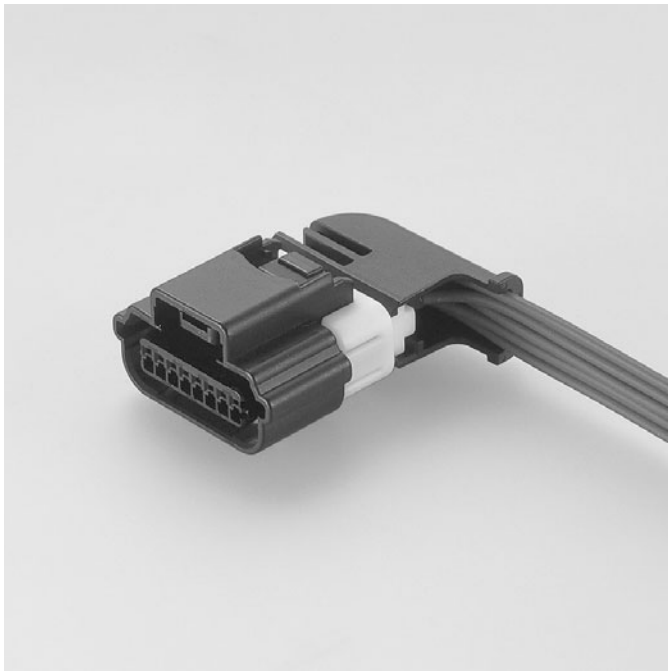
Crimping machine, Applicator

Strip terminal	Crimping machine	Crimp applicator MKS-L	
		Dies	Crimp applicator with dies
SAIT-A03()-M064	AP-K2N	MK/SAIT-A03-064	APLMK SAIT-A03-064
SAIT-A02()-M064		MK/SAIT-A02-064	APLMK SAIT-A02-064
SAITW-A03()-M064		MK/SAITW-A03-064	APLMK SAITW-A03-064
SAITW-A02()-M064		MK/SAITW-A02-064	APLMK SAITW-A02-064

Note: When crimping operation is conducted using an applicator and die set other than the above, JST cannot guarantee the performance of the terminal.

ATSS CONNECTOR

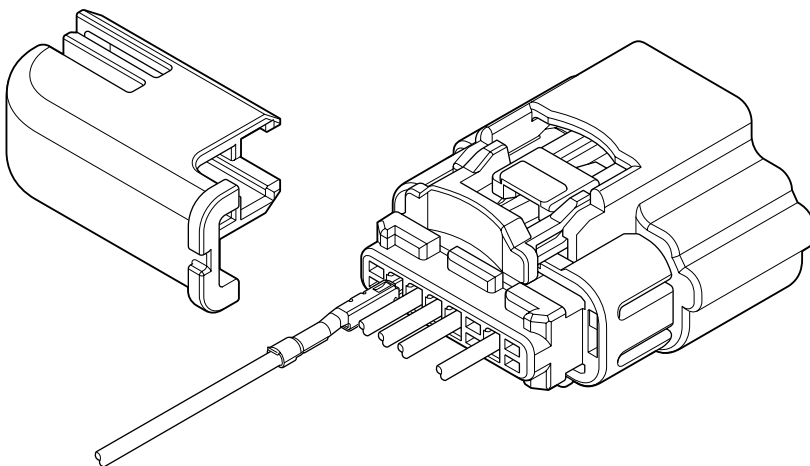
Sealed connectors/Wire-to-wire



0.64 Sealed Connector compliant with the Standard USCAR Footprints.

Features

- 0.64 Sealed Connector
- Compliant with the Standard USCAR Footprints
- (Optional) Connector Position Assurance (CPA), Independent Security Lock Mechanism
- Optional Cable Cover available for Cable routing
- Variety of Cavity block options for unused Circuits

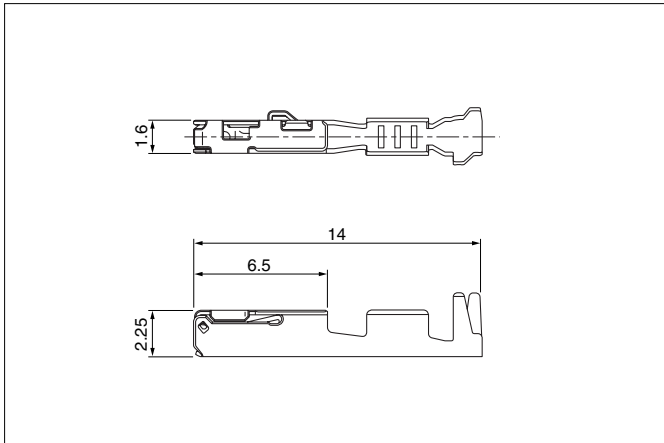


Specifications

- Current rating: 5A DC max.
- Voltage rating: 14V DC
- Temperature range: -40°C to +125°C
(including temperature rise in applying electrical current)
- Contact resistance: Initial value/15mΩ max.
After environmental testing/15mΩ max.
- Insulation resistance: 100MΩ min.
- Applicable wire: SAE/ AVSS/ CAVS
0.3mm² to 0.8mm²

- * Compliant with ELV/RoHS.
- * Contact JST for details.

Female terminal

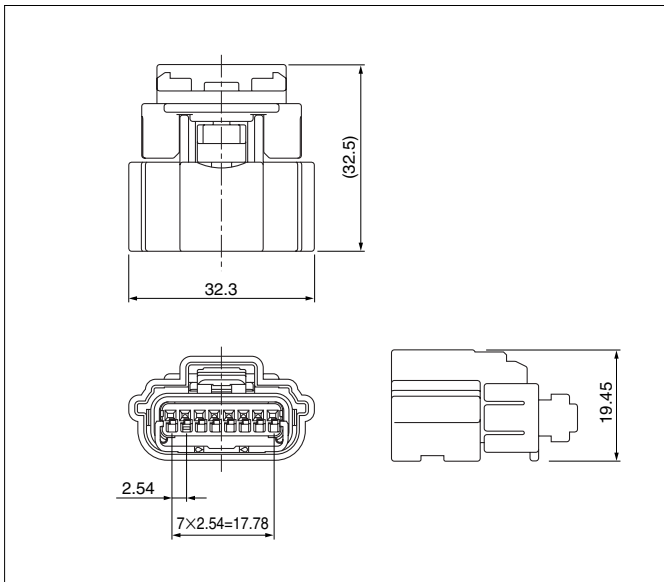


Model No.	Applicable wire range		Q'ty/reel
	Conductor (mm ²)	Insulation O.D. (mm)	
①SAIT-A03T-M064	0.3 to 0.5	≤1.9	6,500
①SAIT-A02T-M064	0.75 to 0.8	≤1.9	6,500
②SAIT-A03GF-M064	0.3 to 0.5	≤1.9	6,500
②SAIT-A02GF-M064	0.75 to 0.8	≤1.9	6,500

Material and Finish

- ①Copper alloy, tin-plated (reflow treatment)
- ②Copper alloy, Contact area; gold-plated
Barrel area; tin-plated

Female connector



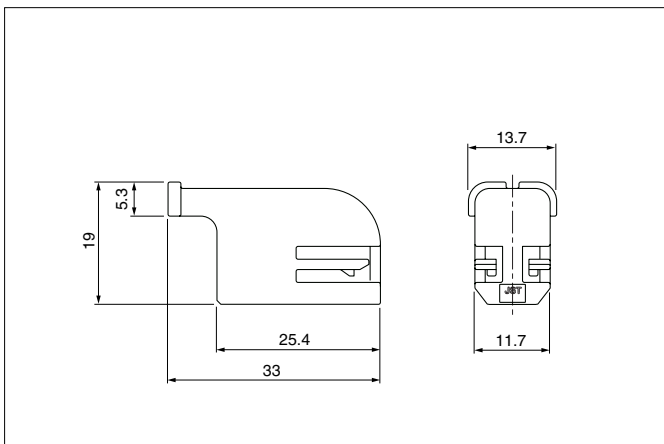
Circuits	CPA	Model No.	Q'ty/box
8	YES	ATSSPB-C08()(-)1AK	75
	NO	ATSSPB-A08()(-)1AK	75

Material

Housing: Glass-filled PBT, black
 TPA: Glass-filled PBT, natural (white)
 CPA: Glass-filled PBT, red
 Back cover: Glass-filled PBT
 Ring seal: Silicone, green
 Matte seal: Silicone, green

Note: Circuits from 3 to 8 available with flashed over back option other than abovementioned housing. Contact JST for details.

Cable cover



Circuits	Model No.	Q'ty/box
8	ATSSCC-08-K	150

Material

Glass-filled PBT, black

Crimping machine, Applicator

Strip terminal	Crimping machine	Crimp applicator MKS-L	
		Dies	Crimp applicator with dies
SAIT-A03()-M064	AP-K2N	MK/SAIT-A03-064	APLMK SAIT-A03-064
SAIT-A02()-M064		MK/SAIT-A02-064	APLMK SAIT-A02-064

Note: When crimping operation is conducted using an applicator and die set other than the above, JST cannot guarantee the performance of the terminal.

CN CONNECTOR

High frequency connectors



Connector for the GPS antenna system of the car navigation system.

The CN connector applies the unique crimping method to the shielding meshed wires, which will result in superior high-frequency characteristics.

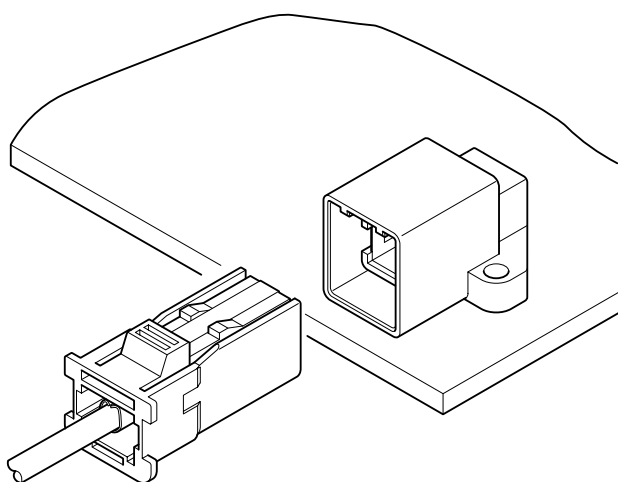
Features

●Crimping method and shape

Shielding meshed wires are crimped with the N-type crimp shape, which prevents the deflection and coming off of the meshed wires.

●Superb high-frequency characteristics

This connector can keep low VSWR characteristics, while serving high-frequency characteristics.



Specifications

- Current rating: 1.0A AC, DC
- Voltage rating: 250V AC, DC
- Temperature range: -30°C to +105°C
(including temperature rise in applying electrical current)
- Contact resistance: Initial value/30mΩ max.
After environmental testing/60mΩ max.
- Insulation resistance: 100MΩ min.
- Withstanding voltage: 1,000V AC/minute
- Applicable wire: Inner conductor cross sectional area/
0.05mm² to 0.2mm²
Outer conductor O.D./φ0.85mm to φ2.2mm
Sheath O.D./φ1.45mm to φ3.3mm
- Frequency range: DC to 1.5GHz
- Characteristic impedance: 50Ω

* Compliant with ELV/RoHS.

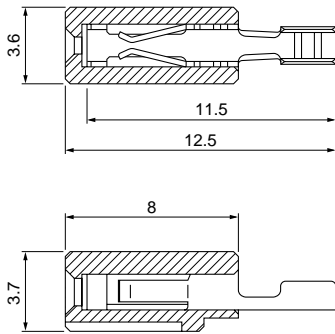
* Contact JST for details.

CN CONNECTOR

Female terminal

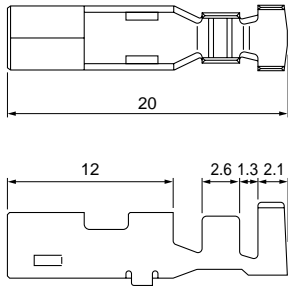
Conductor

● Socket terminal



Shielding part

● Plug terminal

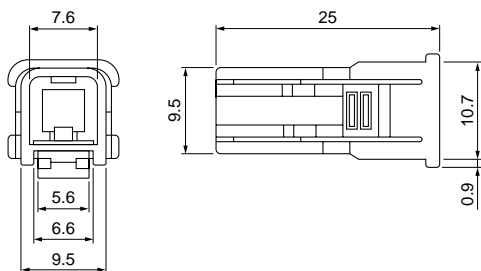


Terminal	Model No.	Q'ty/reel
Conductor	CN-SAS1290	3,000
Shielding part	SCM-61T-4.6	1,500

Material and Finish

Conductor: Phosphor bronze, tin-plated (reflow treatment)
 Socket housing: Glass-filled LCP, natural (white)
 Shielding part: Brass, tin-plated (reflow treatment)

Female connector

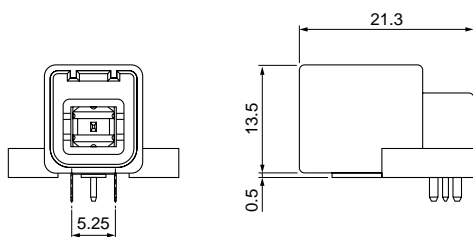


Model No.	Q'ty/box
CNP-01V	1,000

Material

Glass-filled PBT, black

Header

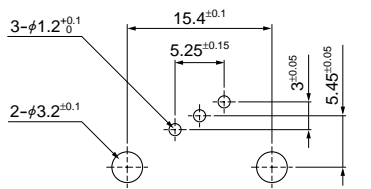


Model No.	Q'ty/box
CNB-01AH	120

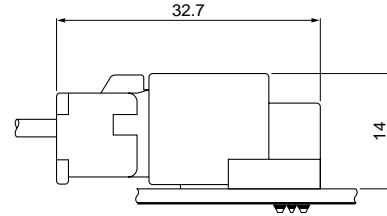
Material and Finish

Terminal: Brass, copper-undercoated, tin-plated (reflow treatment)
 Housing: Glass-filled PBT, gray
 Shielding terminal: Brass, copper-undercoated, tin-plated (reflow treatment)

PC board layout, Assembly layout



viewed from component side



Note: 1. Tolerances are non-cumulative: $\pm 0.05\text{mm}$ for all centers.
 2. Hole dimensions differ according to the type of PC board and piercing method.
 The dimensions above should serve as guideline. Contact JST for details.

Crimping machine, Applicator

• Conductor

Terminal	Crimping machine	Crimp applicator MKS-L	
		Dies	Crimp applicator with dies
CN-SAS1290	AP-K2N	MK/CN-SAP/S1	APLMK CN-SAP/S1

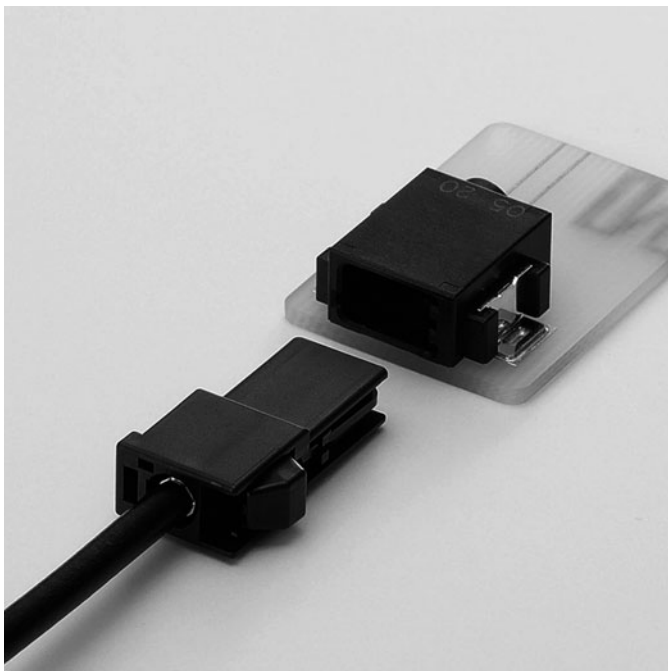
Crimp tool (Pneumatic press)

• Shielding part

Terminal	Crimp tool	Control unit
BCM-61T-4.6 (Loose piece)	MP-CN-BCM61	—
SCM-61T-4.6 (Chain)	MP-CN-SCM61	MP-CU-CN(S)

EA1 CONNECTOR

High frequency connectors



Connector was developed as a coaxial connector for high-frequency application to automobile. This connector achieves low profile and miniaturization.

Features

● Compact, low profile design

Miniaturized compared to the conventional coaxial connector for automobile.

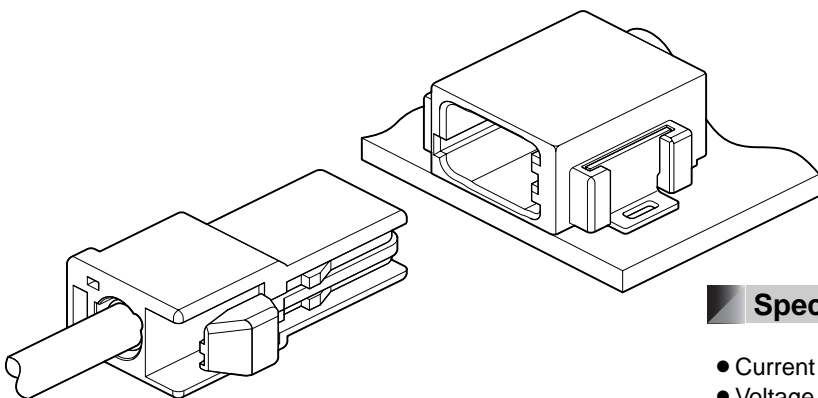
The lowest profile is achieved as an on-board type connector.

● Superb high-frequency performance

V.S.W.R of this connector achieves 1.5 or less.

● Locking structure

The locking feature will avoid the housing coming off due to wiring process and external shock and mis-insertion of the connector.



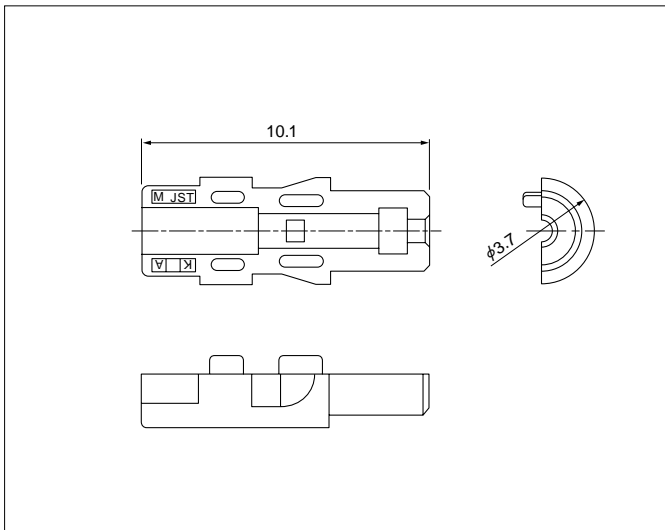
Specifications

- Current rating: 1.0A AC, DC
- Voltage rating: 250V
- Temperature range: -40°C to +105°C
(including temperature rise in applying electrical current)
- Contact resistance:
 - Inner conductor; Initial value/20mΩ max.
After environmental testing/20mΩ max.
 - Outer conductor; Initial value/35mΩ max.
After environmental testing/35mΩ max.
- Insulation resistance: 1,000MΩ min.
- Withstanding voltage: 300V AC/minute
- Applicable wire: 1.5DS-GXC-SP
made by Sumitomo (SEI) Electronic Wire, Inc.
(Inner conductor/φ0.6mm, Insulation/φ1.6mm,
Outer conductor O.D./φ2.2mm, Sheath/φ3.0mm)
- Frequency range: DC to 6GHz
- Characteristic impedance: 50Ω

* Compliant with ELV/RoHS.

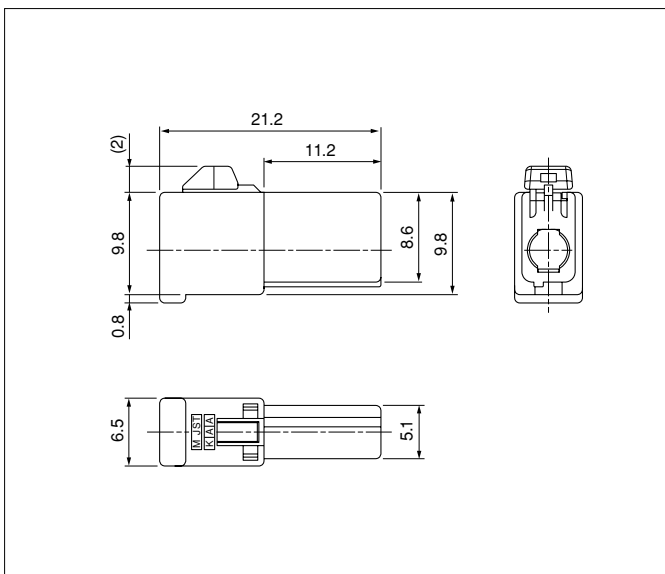
* Contact JST for details.

Inner housing



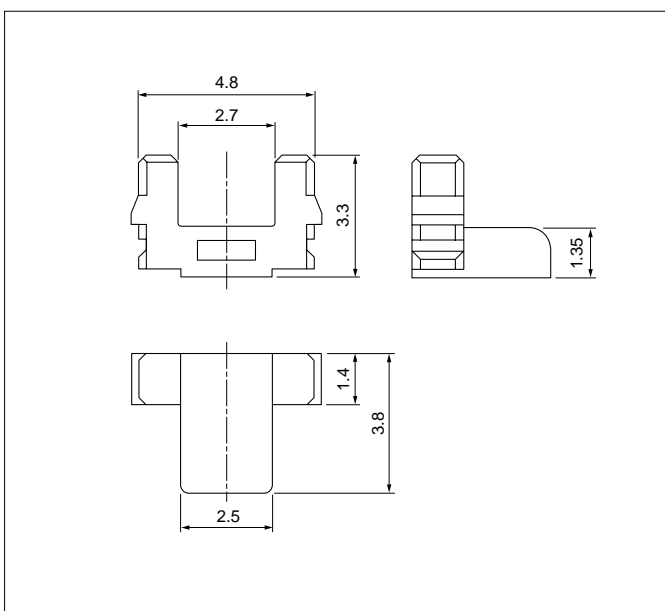
Model No.	Q'ty/box
EA1-PHN-4S	1,000
Material	
Thermoplastic resin, natural (white)	

Outer housing



Model No.	Q'ty/box
EA1-PHG-1K-A	240
Material	
PBT, black	

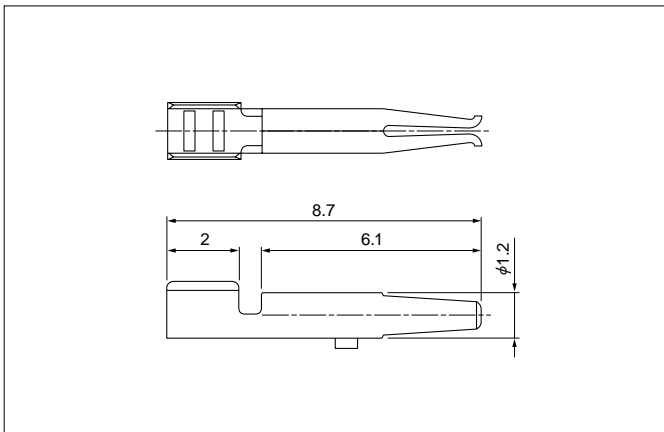
Retainer



Model No.	Q'ty/box
EA1-PRT-3H	5,000
Material	
Glass-filled PBT, gray	

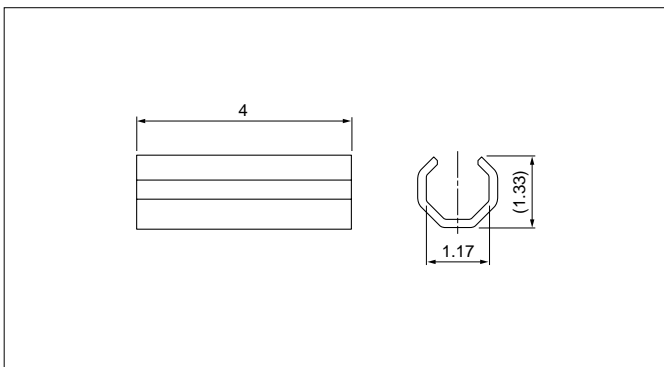
EA1 CONNECTOR

Female terminal



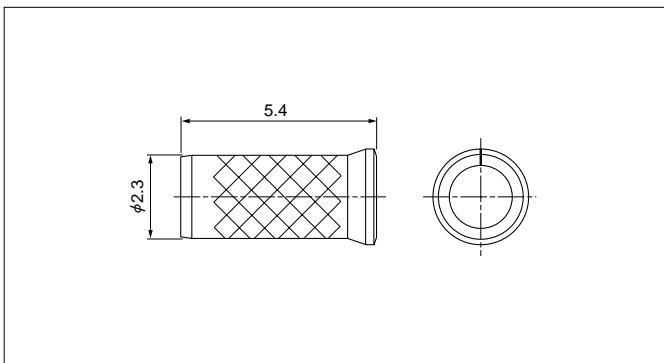
Model No.	Q'ty/reel
EA1-SCS342	25,000
Material and Finish	
Phosphor bronze, nickel-undercoated Contact area; gold-plated Barrel area; tin-plated (reflow treatment)	

Sleeve



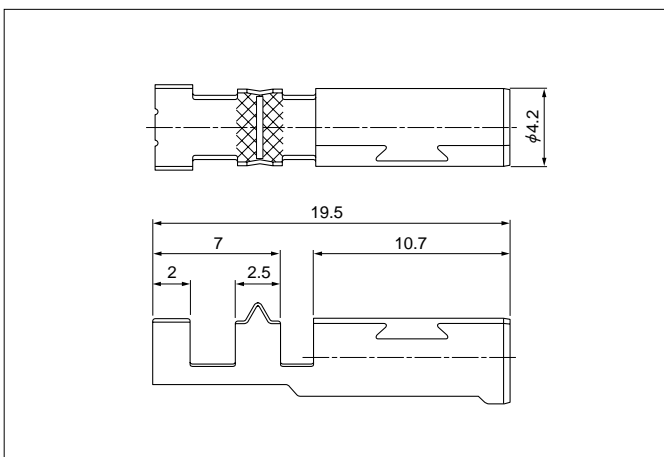
Model No.	Q'ty/box
EA1-SLP290	10,000
Material and Finish	
Copper alloy, tin-plated (reflow treatment)	

Ferrule



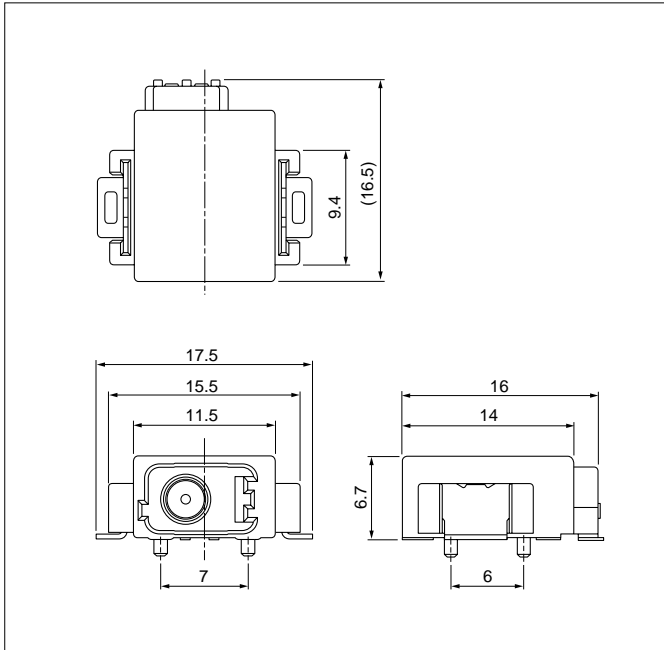
Model No.	Q'ty/box
EA1-FLP290A	5,000
Material and Finish	
Copper alloy, tin-plated (reflow treatment)	

Shell



Model No.	Q'ty/box
EA1-SSP391	5,000
Material and Finish	
Copper alloy, nickel-undercoated, tin/copper alloy-plated	

Header

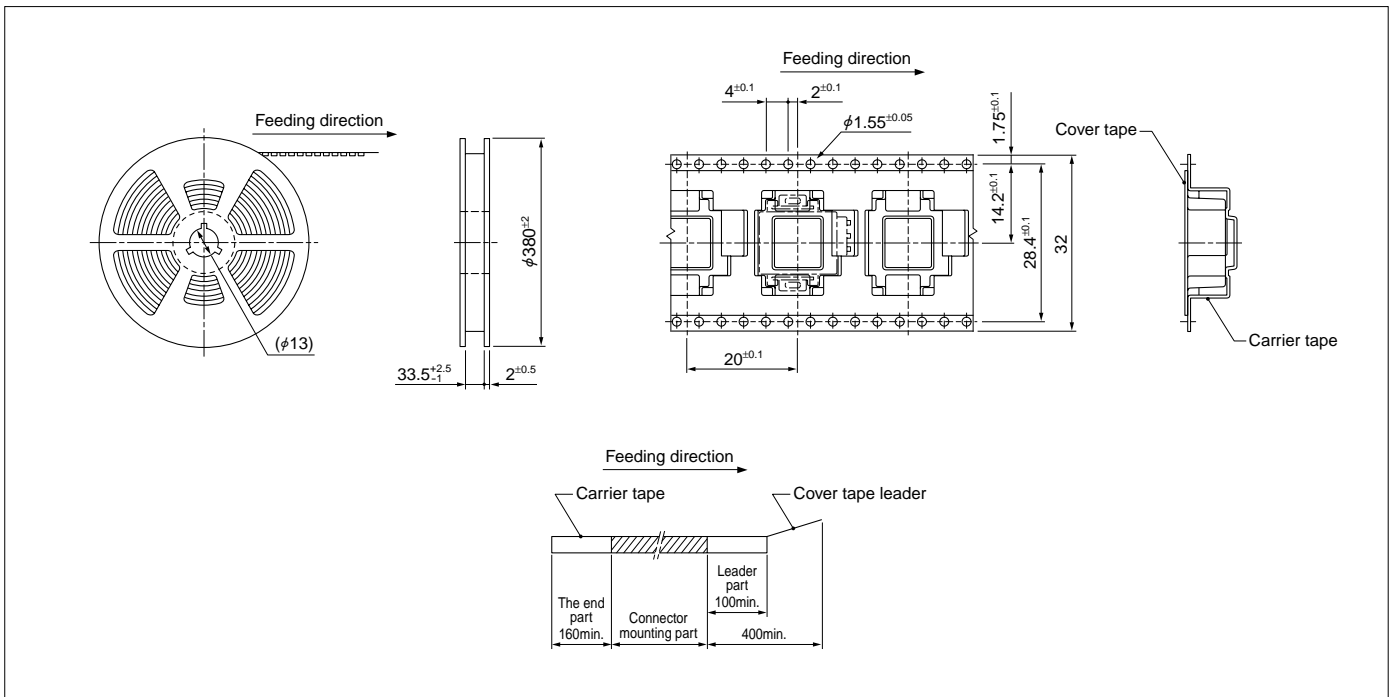


Model No.	Q'ty/reel
EA1-1RAS-029100-K1-TF	500

Material and Finish

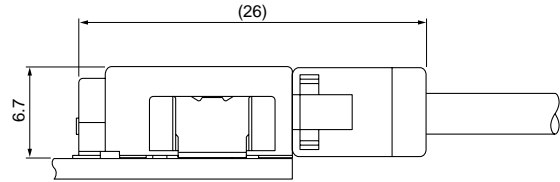
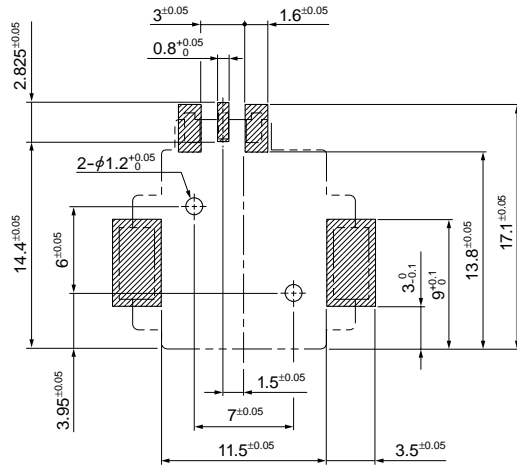
Terminal: Phosphor bronze, nickel-undercoated, gold-plated (with nickel stripe)
 Housing: Glass-filled PA 9T, black
 Peg: Brass, copper-undercoated, tin-plated (reflow treatment)
 Shell: Phosphor bronze, nickel-undercoated, tin/copper alloy-plated

Taping Specifications



EA1 CONNECTOR

PC board layout, Assembly layout



Note: 1. Tolerances are non-cumulative: $\pm 0.05\text{mm}$ for all centers.
 2. The dimensions above should serve as guideline. Contact JST for details.

Crimping machine, Applicator

Strip terminal	Crimping machine	Crimp applicator MKS-L	
		Dies	Crimp applicator with dies
EA1-SCS342	AP-K2N	MK/EA1-SCS	APLMK EA1-SCS

Note: When crimping operation is conducted using an applicator and die set other than the above, JST cannot guarantee the performance of the terminal.

Jig

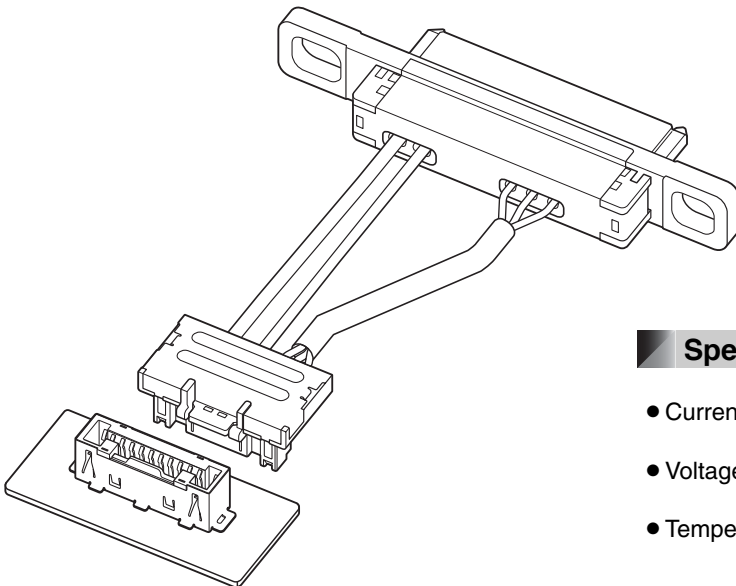
Jig	Hand crimp tool
Sleeve insertion jig	H3-SLIT2-EA1
Shell insertion jig	H3-SIT-EA1
Shell crimping jig	H2-CP-EA1
Hand press	HPD-M2A(A)

AS CONNECTOR

For Interface



This AS connector consists of the female connector on PCB side and the high-speed differential transmission harness used for internal connection between the PCB and the HDD corresponding to SATA standard for automobile equipment such as HDD navigation system.



Features

HDD mating side connector: 1.27mm pitch

PC board side female connector: 1.5mm pitch

●High reliability

Contact reliability and toughness corresponding for automobile equipment are realized.

●High-speed transmission

Transmission characteristic conforms to Serial ATA HDD (Rev 2.6).

●Floating mechanism

HDD mating side connector has floating mechanism to absorb misalignment and to prevent from crashing each other when mating HDD.

●Noise suppression

In order to improve the noise immunity, PCB side connector has a multiple connecting structure for connecting between the shells of male side and female side when mating the connector, and for connecting between the shell of female side and GND of PCB.

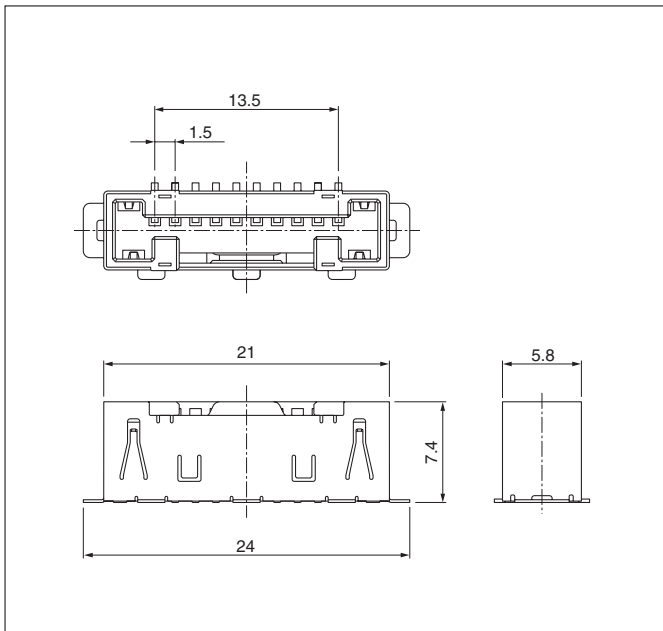
●Clear engagement click sounds

PC board side connector has adopted locking mechanism with good click feeling in order to mate completely.

Specifications

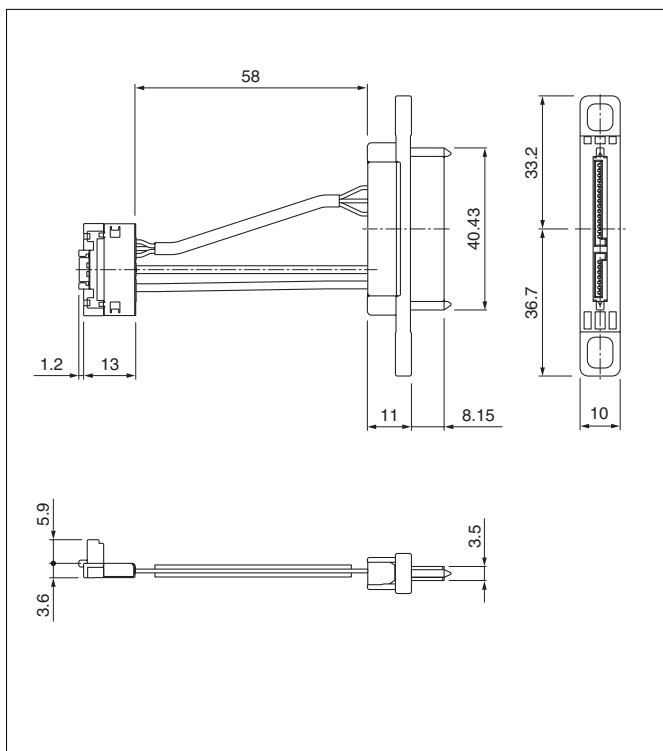
- Current rating: Power/ 1.5A AC, DC
Signal/ 0.3A AC, DC
 - Voltage rating: Power/ 10V AC, DC
Signal/ 5V AC, DC
 - Temperature range: -40°C to +95°C
(including temperature rise in applying electrical current)
 - Contact resistance:
Power; Initial value/ 50mΩ max.
After environmental testing/ 70mΩ max.
Signal; Initial value/ 90mΩ max.
After environmental testing/ 110mΩ max.
(Including 60mm of cable part)
 - Differential: 100Ω±10%
Impedance (Transmission characteristic conforms to Serial ATA Rev 2.6.)
 - Circuits: PC board side/ 10 circuits
HDD side/ 22 circuits (Power supply circuit corresponds to 5V.)
 - PC board mounting direction: Top entry
- * Compliant with ELV/RoHS.
* Contact JST for details.

Female connector



Type	Model No.	Q'ty/reel
PC board side	BM10B-AS1RGK12-TB	650
Material and Finish		
Contact: Copper alloy, nickel-undercoated, Contact area; gold-plated Solder tail; tin-plated		
Housing: Heat resisting resin, black		
Shell: Copper alloy, tin-plated		

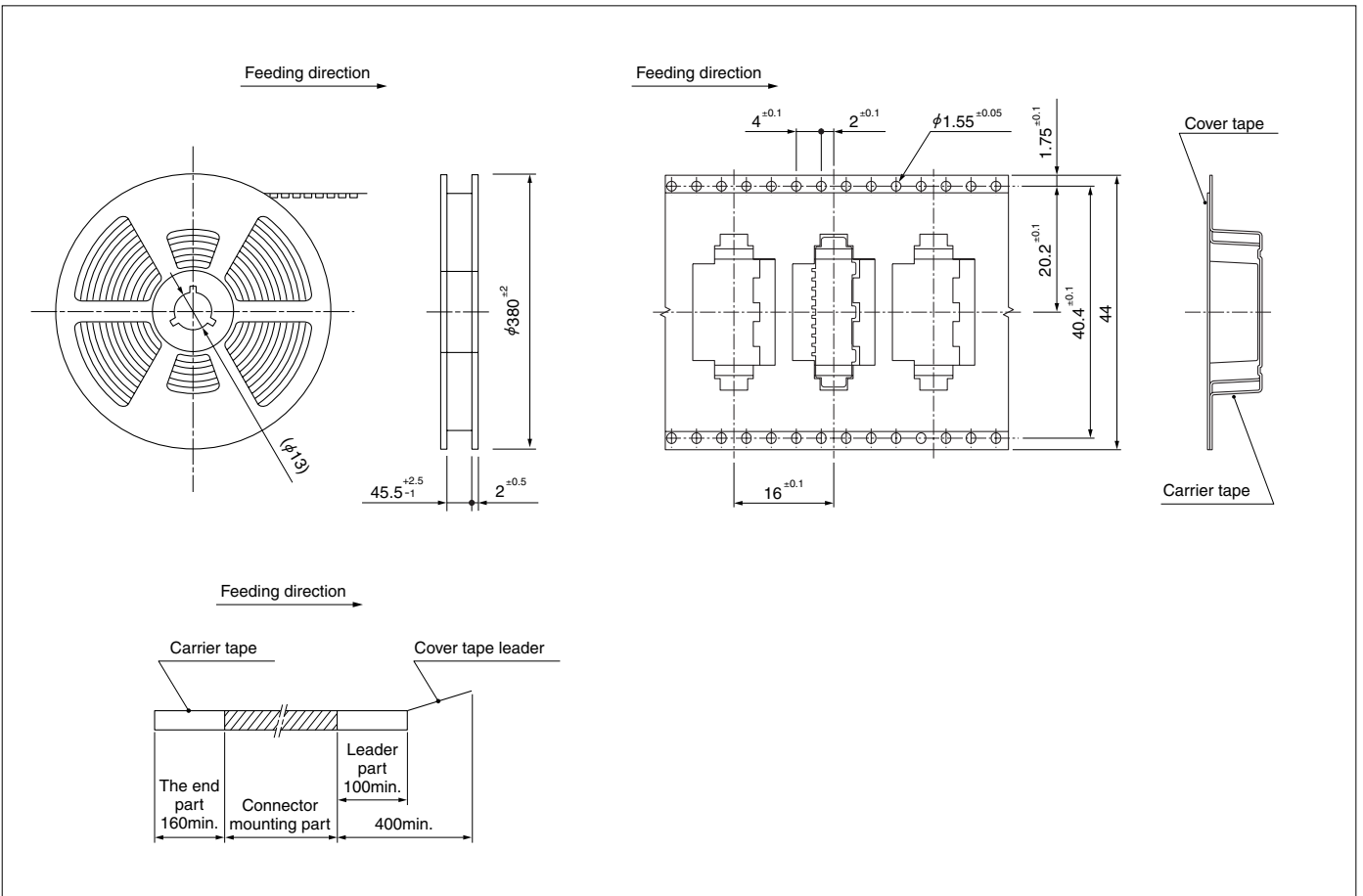
Harness



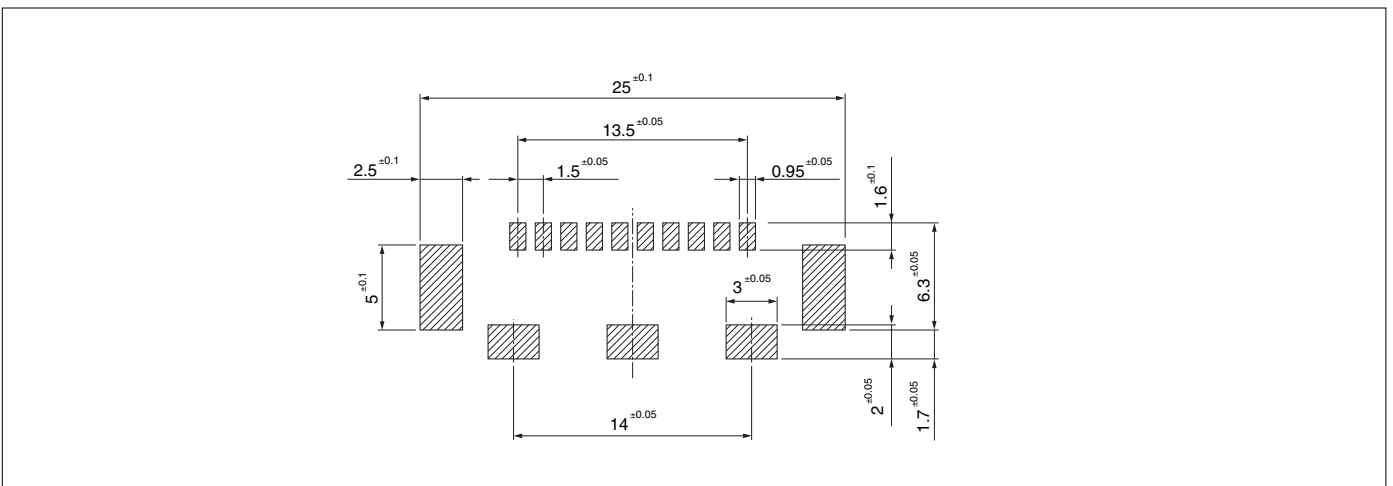
Type	Model No.	Q'ty/box
Harness	AS1P-H1R-A1-058	320
Material and Finish		
SATA side connector Power, Signal: Copper alloy, nickel-undercoated, Contact area; gold-plated Solder tail; tin-plated		
Housing: Heat resisting resin, black Holder housing, Cap housing: Thermoplastic resin, black		
AS connector Male Contact: Brass, nickel-undercoated, Contact area; gold-plated, Solder tail; tin-plated		
Housing, Holder housing, Cover housing: Thermoplastic resin, black Male shell, Cover shell: Stainless steel, nickel-undercoated, selective tin-plated		
Caulking material for signal circuit & power supply circuit Copper alloy, tin-plated		

AS CONNECTOR

Taping Specifications



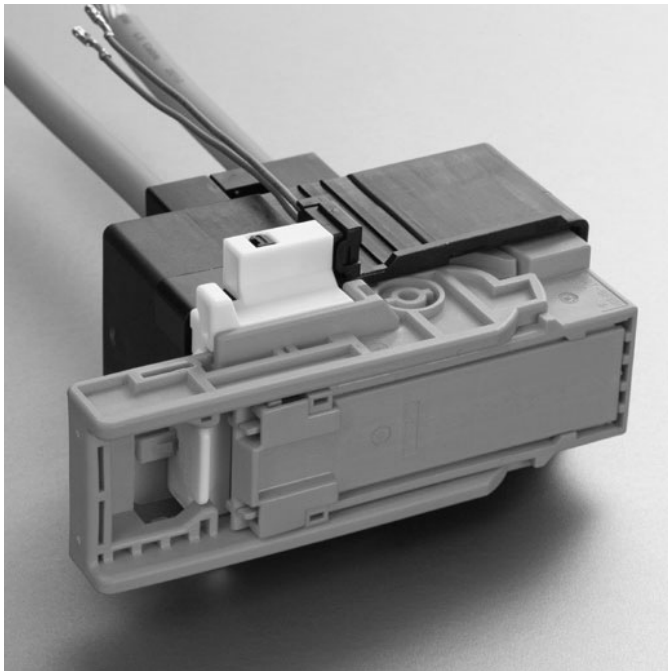
PC board layout



Note: 1. Tolerances are non-cumulative: $\pm 0.05\text{mm}$ for all centers.
 2. The dimensions above should serve as guideline. Contact JST for details.

SPH2 CONNECTOR

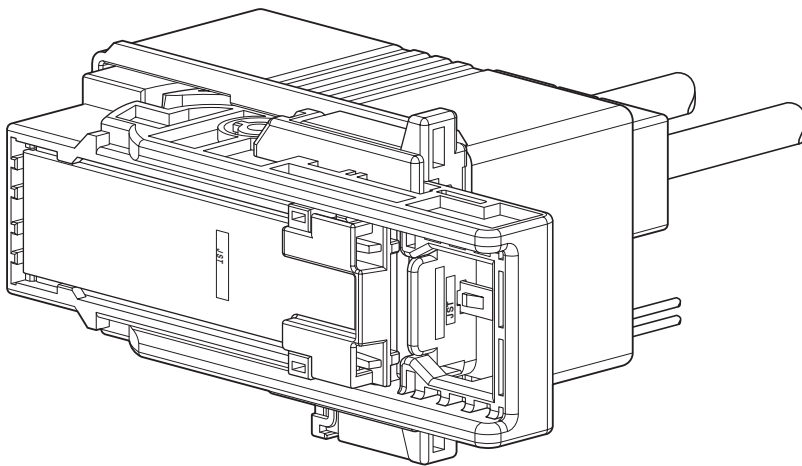
High Current, Fused connector



Features

- **Mating**
Lever mechanism realized low insertion force.
- **Mating detection**
This connector has a mechanism detecting a mating state electrically.
- **Built-in fused connector**
- **Compatible with High Current**

This is the connector for power supply cutoff switch used for the battery unit of hybrid car, etc.
This connector is realized low insertion force by using lever mechanism, and has a mechanism detecting a mating state electrically and fuse, etc.



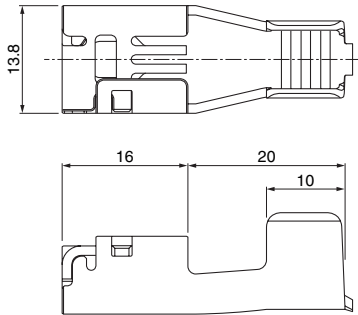
Specifications

- Current rating: Power/ 100A DC max.
Signal/ 5A DC max.
- Voltage rating: 450V DC
- Temperature range: -40°C to +105°C
(including temperature rise in applying electrical current)
- Contact resistance: Initial value/3mΩ max.
After environmental testing/10mΩ max.
- Insulation resistance: 100MΩ min.
- Withstanding voltage: 2,500V AC/minute
- Applicable wire: Power/EEX 15mm², 20mm²
Signal/AVSS 0.3mm² to 0.5mm²

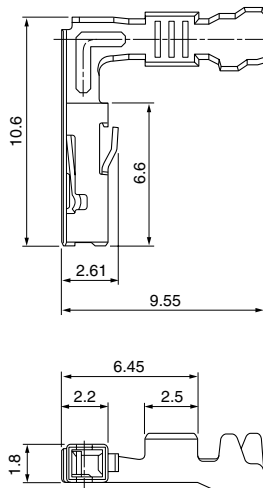
- * Compliant with ELV/RoHS.
- * Contact JST for details.

Female terminal

Power (PEG Female terminal)



Signal (SQS Female terminal)

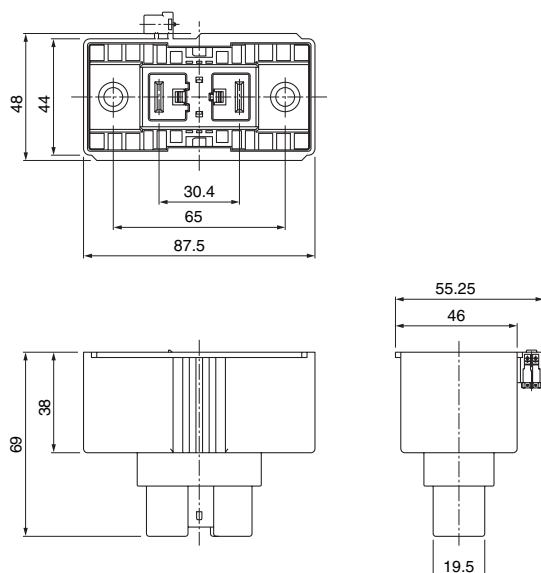


Model No.	Applicable wire range		Quantity
	Conductor (mm ²)	Insulation O.D. (mm)	
Power SPEG-A18T-M9.5	15 to 20	8.9 max.	108/box
Signal SQS-A03GF-P-P	0.3 to 0.5	1.0 to 1.6	6,500/reel

Material and Finish

Power/ PEG Terminal: Copper alloy, tin-plated
 Signal/ SQS Terminal: Copper alloy, nickel-undercoated,
 Contact area; gold-plated (0.4µm min.)

Female connector



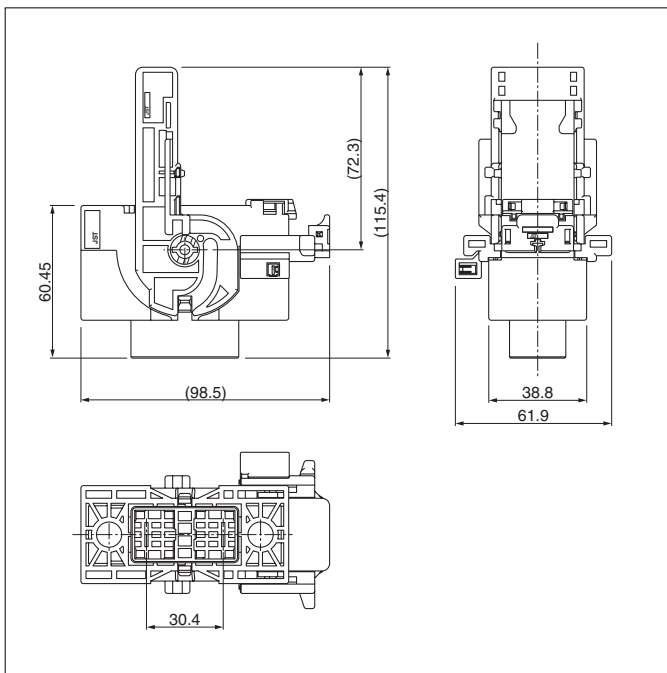
Model No.	Q'ty/box
02SPH2-R-1K	32

Material

Housing: Glass-filled PBT
 Bush: SUM24L, zinc-plated

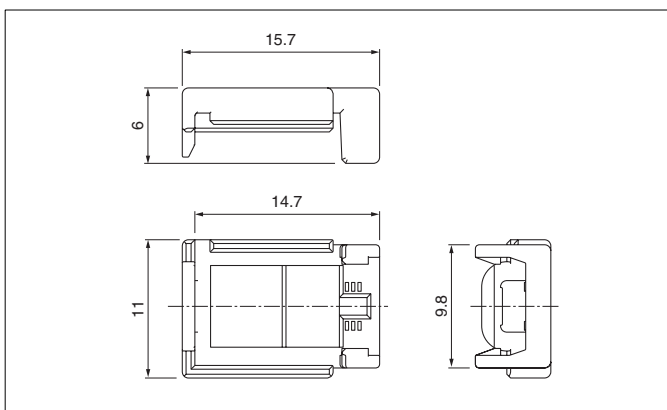
SPH2 CONNECTOR

Male connector



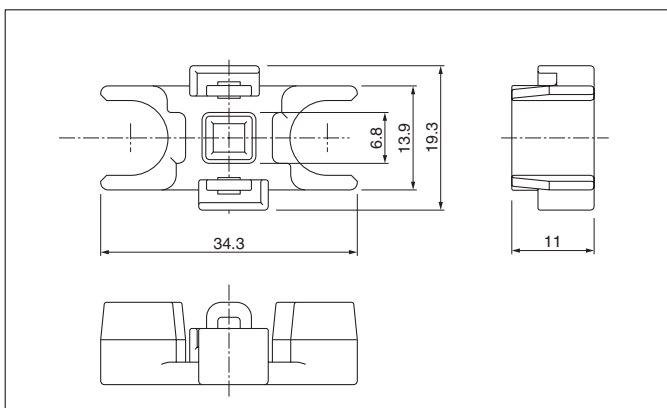
Model No.	Q'ty/box
02SPH2-P-1D	12
Material and Finish	
Housing: Glass-filled PBT	
Power terminal: Oxygen free copper, tin-plated	
Signal terminal: Brass, thin gold-plated	
Stopper: Glass-filled PBT	
Fuse cover, Lever, CPA: Glass-filled PBT	
Fuse: 125A EV FUSE	
For fixing fuse: M6 Bolt/ SWCH45K, zinc-plated	
: M6 Nut/ SUM24L, zinc-plated	
: Washer/ SWRH 55 to 57, zinc-plated	

Rear cover



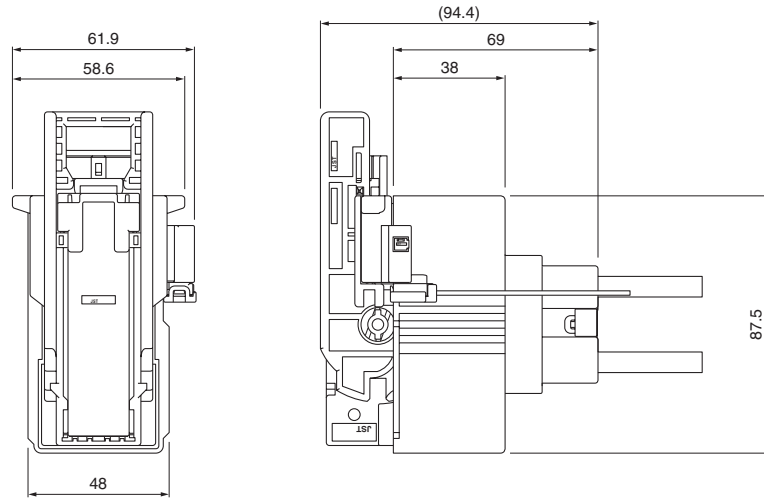
Model No.	Q'ty/box	Color
SPH2RC-02H-1K	1,200	Black
Material		
PA 66		

Rear holder



Model No.	Q'ty/box	Color
SPH2RH-02H-1K	300	Black
Material		
PA 66		

Assembly layout



Crimping machine, Applicator

Strip terminal	Battery tool	Dies			
		Yoke	Crimper	Crimper anvil (20sq)	Crimper anvil (15sq)
SPEG-A18T-M9.5	BCT-860N	6019-4101	6019-4102	6019-4103	6019-4104

Strip terminal	Crimping machine	Crimp applicator MKS-L	
		Dies	Crimp applicator with dies
SQS-A03GF-P-P	AP-K2N	MK/SQS-A03-P	APLMK SQS-A03-P

Note: When crimping operation is conducted using an applicator and die set other than the above, JST cannot guarantee the performance of the terminal.

HVGW CONNECTOR

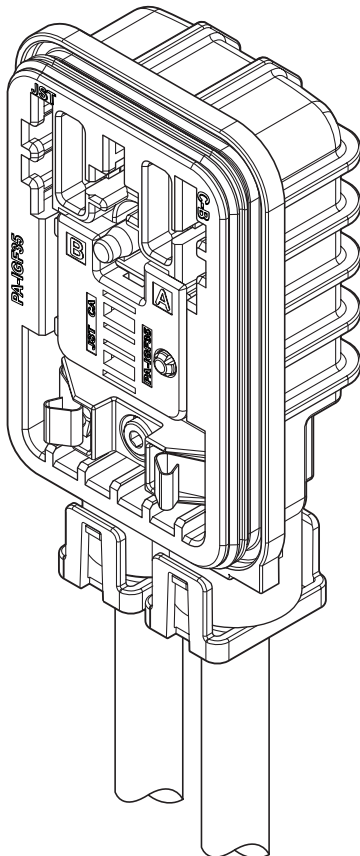
High Current, High Voltage, Shielded, Sealed



Features

- 2 circuits: 14.5 terminals
- Sealed, Shielded, High Current, High Voltage Connector
- Over 98% shielding coverage
- HVIL (optional) feature available
- Bolt driven mating design

2 Circuits 14.5 Sealed, Shielded Connector System.
Designed for high current, high voltage applications in
an Automotive environment.

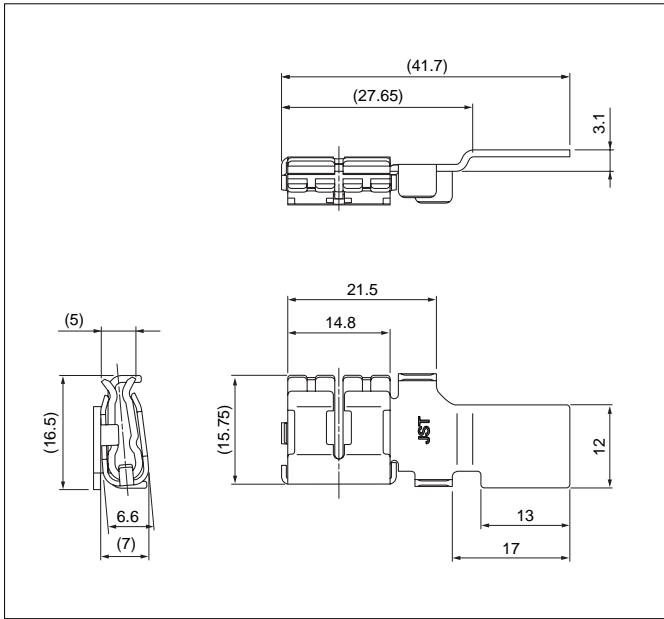


Specifications

- Current rating: 135A DC continuous
- Voltage rating: 300V DC continuous
- Temperature range: -40°C to +125°C
- Insulation resistance: 100MΩ min.
- Withstanding voltage: 1,600V AC/minute
- Applicable wire: 35mm² Champlain shielded battery cable
Champlain P/N: 15-07603-001 or equivalent

* Compliant with ELV/RoHS.
* Contact JST for details.

Female terminal

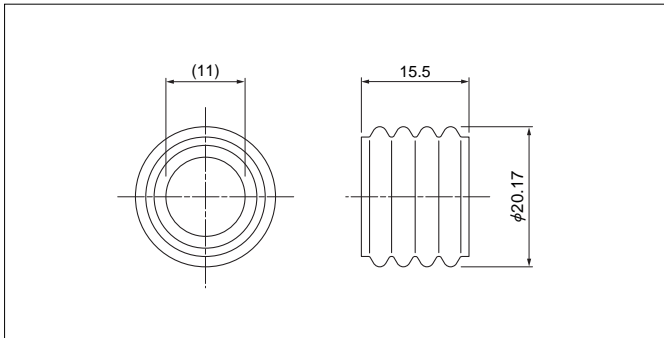


Model No.	Applicable wire range		Q'ty/box
	Conductor (mm ²)	Insulation O.D. (mm)	
AHVG-350B-C1500	35	12.44	200

Material and Finish

Core terminal; Copper alloy, silver-plated (anti-tarnish treatment)
Reinforcement; Stainless steel

Cable seal

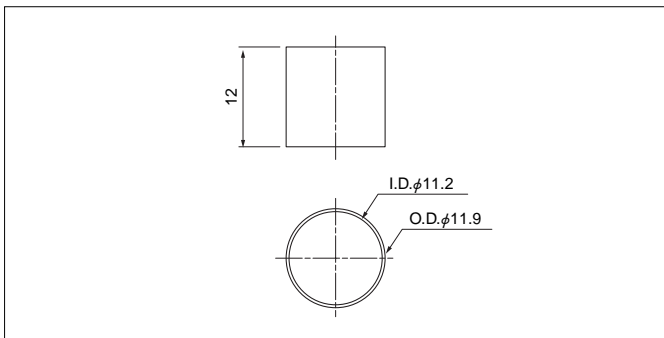


Model No.	Applicable wire range		Q'ty/box
	Conductor (mm ²)	Insulation O.D. (mm)	
HVGW-WS-AM	35	12.44	1,500

Material

Silicone, green

Inner ferrule

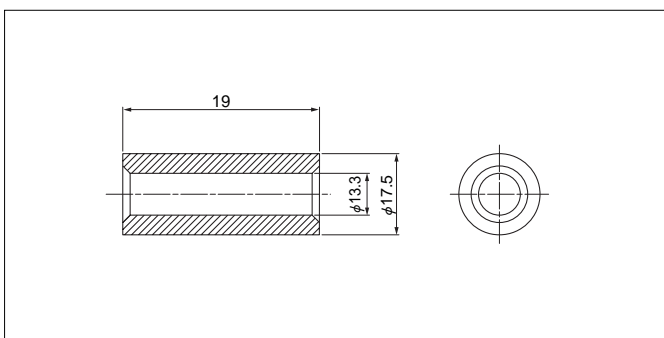


Model No.	Applicable wire range		Q'ty/box
	Conductor (mm ²)	Insulation O.D. (mm)	
HVGWF-120T-A180	35	10.41	100

Material and Finish

Copper alloy, tin-plated

Outer ferrule



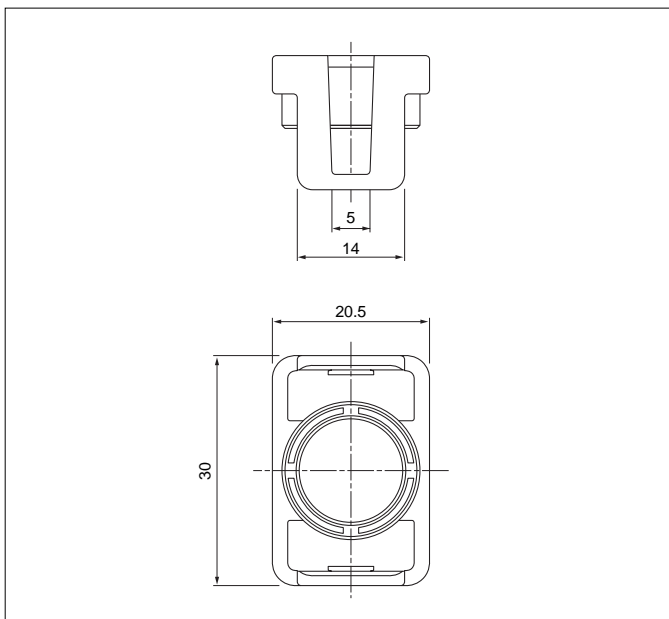
Model No.	Applicable wire range		Q'ty/box
	Conductor (mm ²)	Insulation O.D. (mm)	
P-70	35	12.44	50

Material and Finish

Copper, tin-plated

HVGW CONNECTOR

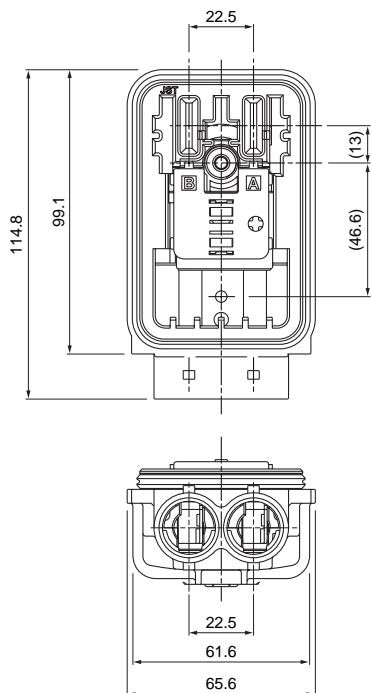
Back cover



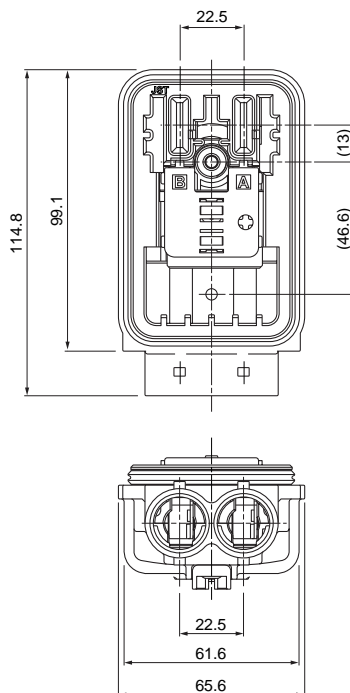
Model No.	Q'ty/box
HVGW-SC-AK	1,500
Material	
Glass-filled PA, black	

Female connector, Sub assembly

• HVGWPB-G02-AD



• HVGWPB-P02-AD (HVIL attachment feature)

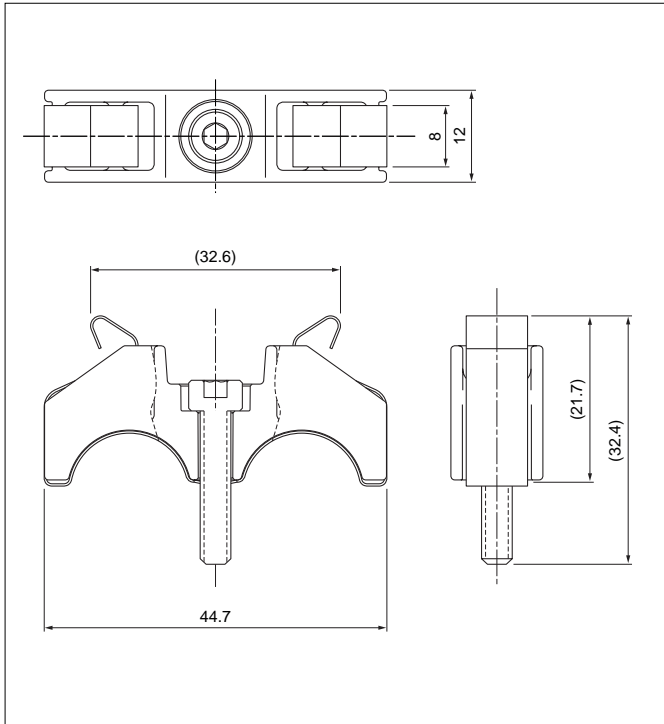


Circuits	Model No.	Q'ty/box	HVIL attachment feature
2	HVGWB-G02-AD	56	No
	HVGWB-P02-AD	56	Yes

Material and Finish

Housing: Glass-filled PA, black
 Shield cover: Aluminium alloy
 M4 bolt: Steel, zinc-plated
 M6 bolt: Steel, zinc-plated
 O-ring: Silicon, red
 Retaining clip: Steel, black
 Ring seal: Silicone, green
 TPA: Glass-filled PA, natural (white)
 HVIL attachment: PBT, black

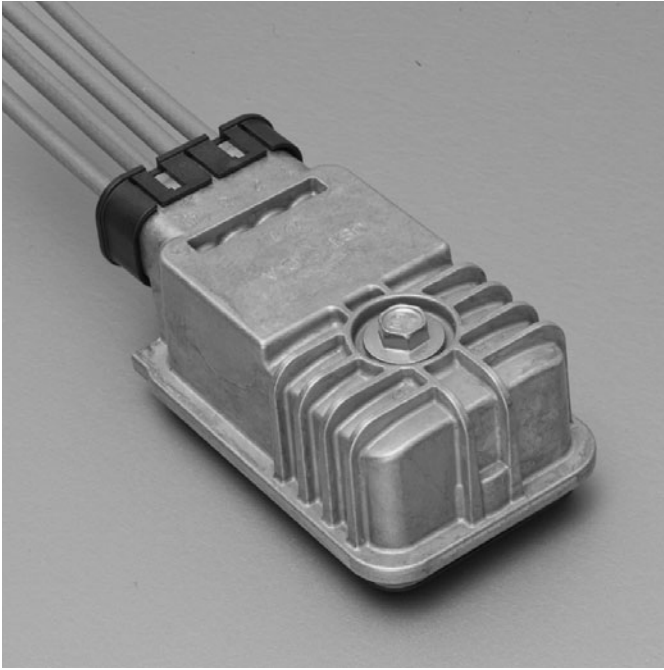
Yoke assembly



Model No.	Q'ty/box
HVGWB-Y-AS	360
Material	
Yoke block: Zinc alloy	
Yoke spring: Copper alloy, tin-plated	
M4 bolt: Steel, zinc-plated	

HVGT CONNECTOR

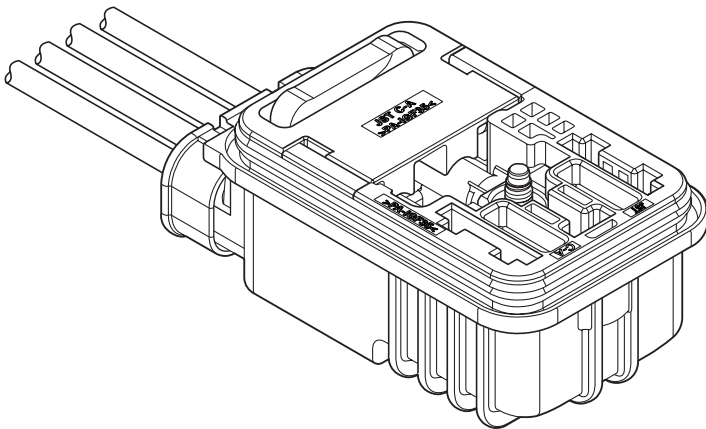
High Voltage, Shielded, Fused, Sealed



Features

- 2 Input circuits: 14.5 terminals
- 4 Output circuits: AWG #10 wire
- Sealed, Shielded, Fused Connector
- Over 93% shielding coverage
- Bolt driven mating design

2 Circuits 14.5 Sealed, Shielded, Fused Connector System in an Automotive environment. Designed for high voltage applications, requiring Fusing and Splitting.

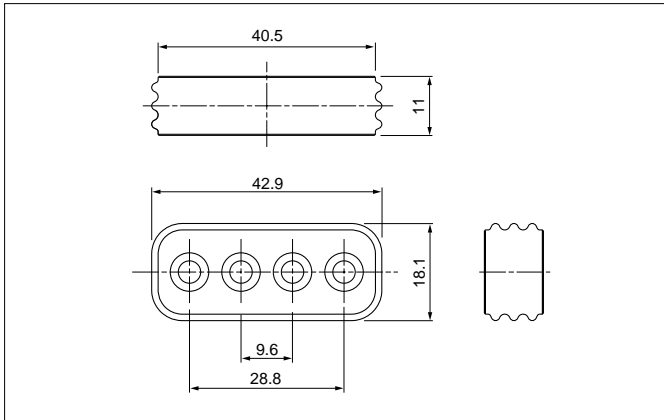


Specifications

- Current rating: 30A DC continuous
- Voltage rating: 300V DC continuous
- Temperature range: -40°C to +125°C
- Insulation resistance: 100M Ω min.
- Withstanding voltage: 1,600V AC/minute
- Applicable wire: AWG #10 (105/30) Champlain shielded battery cable
Champlain P/N: 15-07460 or equivalent

* Compliant with ELV/RoHS.
* Contact JST for details.

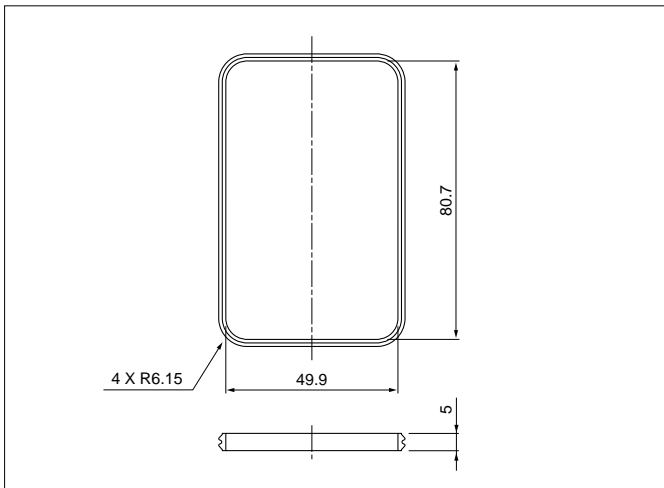
Matte seal



Model No.	Applicable wire range		Q'ty/box
	Conductor (mm ²)	Insulation O.D. (mm)	
HVGTMS-04-BM	10	5.54	500

Material
Silicon, green

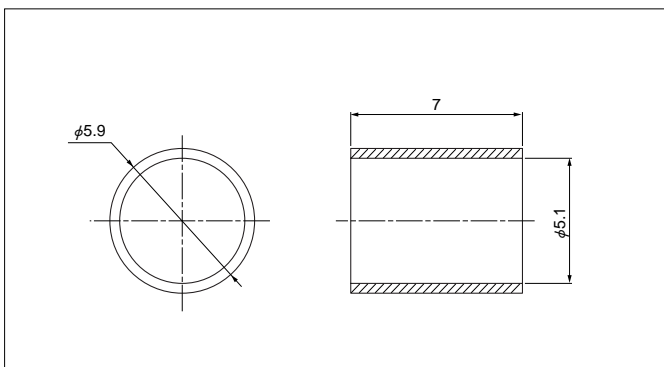
Interface seal



Model No.	Q'ty/box
HVGRS-02-M	1,000

Material
Silicone, green

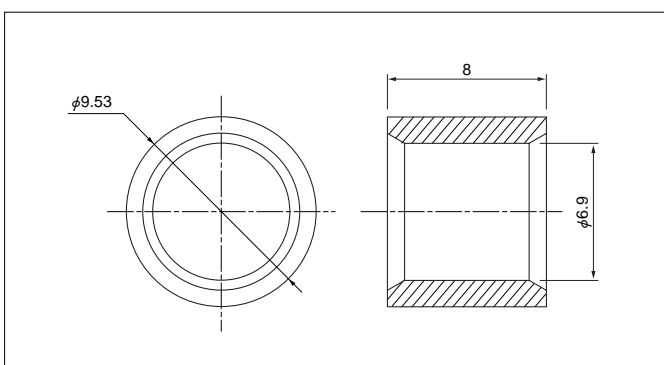
Inner ferrule



Model No.	Applicable wire range		Q'ty/box
	Conductor (mm ²)	Insulation O.D. (mm)	
HVGTF-59T-A70	10	4.51	1,000

Material and Finish
Copper alloy, tin-plated

Outer ferrule



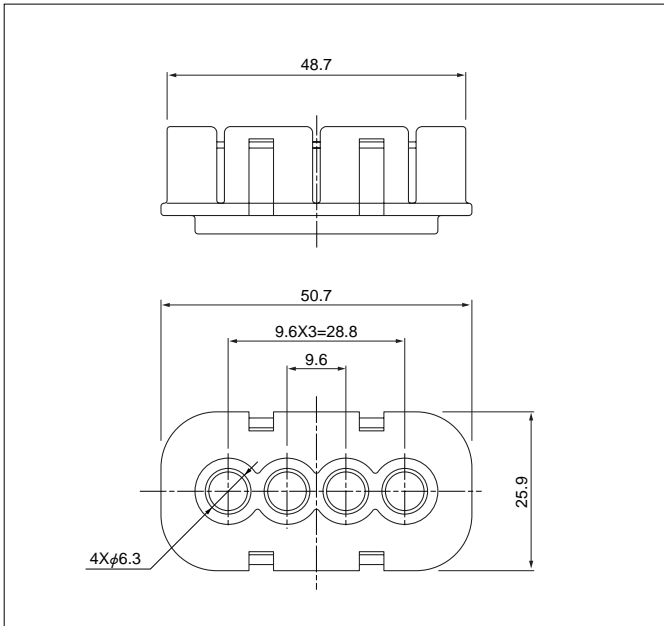
Model No.	Applicable wire range		Q'ty/box
	Conductor (mm ²)	Insulation O.D. (mm)	
HVGTF-95T-A80	10	5.54	1,000

Material and Finish
Copper alloy, tin-plated

HVGTCONNECTOR

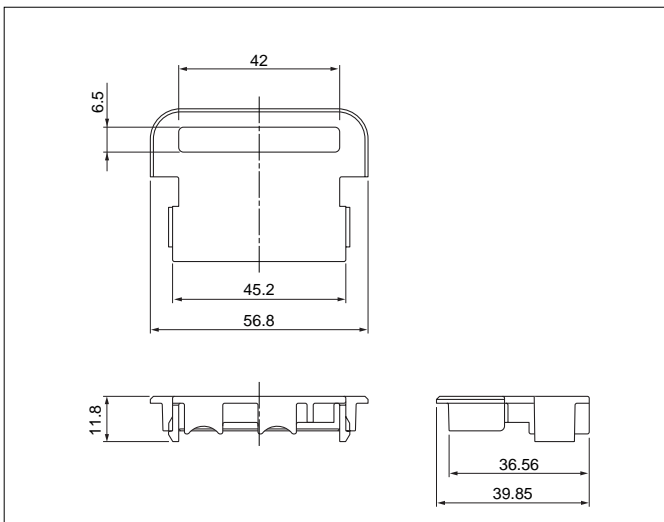
High Voltage, Shielded, Fused, Sealed

Seal cover



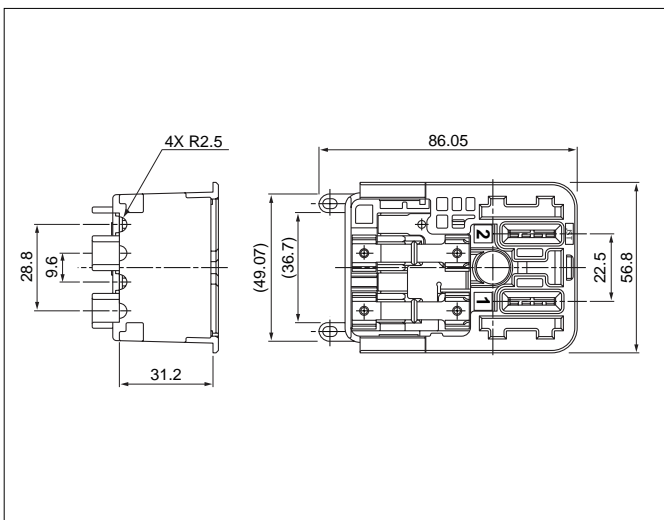
Model No.	Applicable wire range		Q'ty/box
	Conductor (mm ²)	Insulation O.D. (mm)	
HVGTSC-04-BK	10	5.54	1,000
Material			
Glass-filled PA, black			

Fuse cover



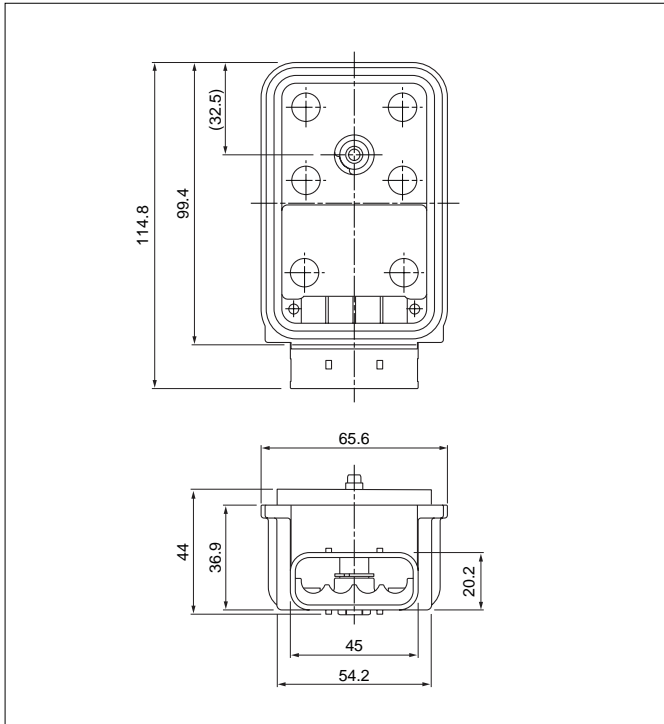
Model No.	Q'ty/box
HVGT-FC02-BK	500
Material	
Glass-filled PA, black	

Female plastic connector assembly



Circuits	Model No.	Q'ty/box
2	HVGTB-E02-BK	56
Material and Finish		
Housing: Glass-filled PA, black		
HVGT core terminal: Copper alloy, silver-plated		
Terminal reinforcement: Stainless steel		
Fuse clip: Copper alloy, nickel-plated		

Female shield cover assembly

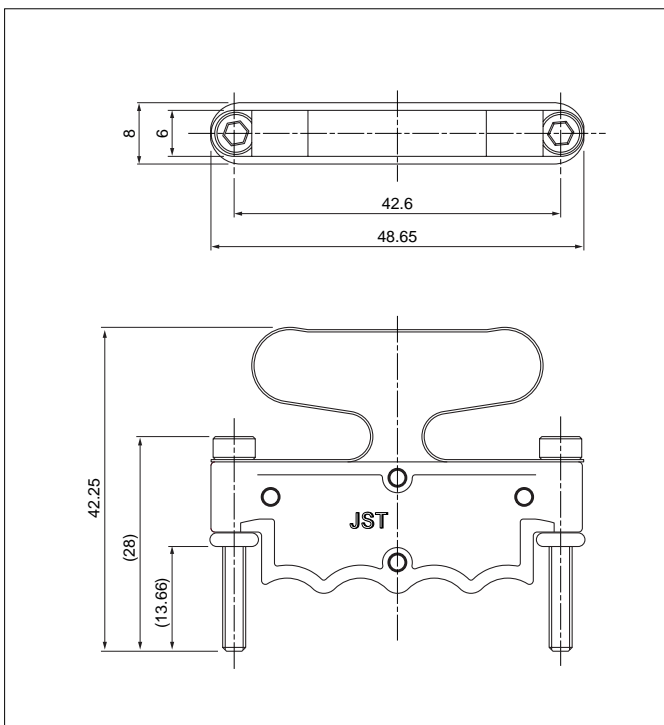


Circuits	Model No.	Q'ty/box
2	HVGTB-SCB-BS	56

Material and Finish

Shield cover: Aluminium alloy
M6 bolt: Steel, zinc-plated
O-ring: Silicon, red
Retaining clip: Steel, black

Yoke assembly



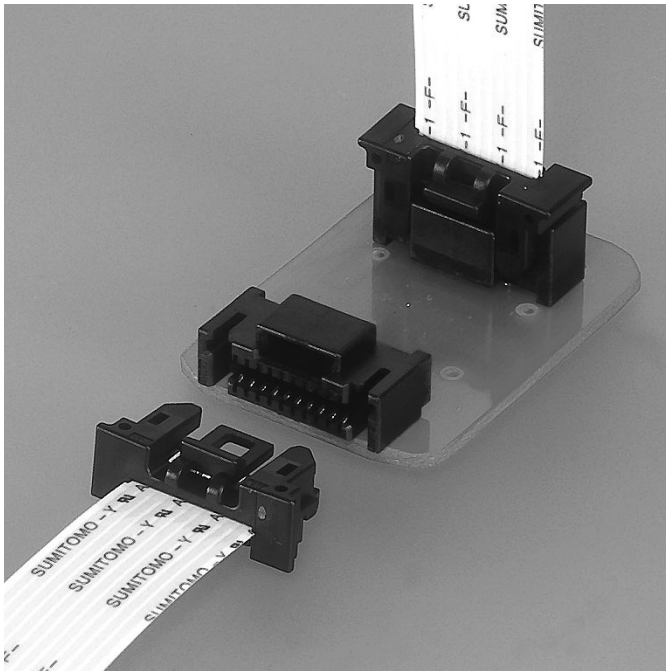
Model No.	Q'ty/box
HVGTB-YA-BS	240

Material and Finish

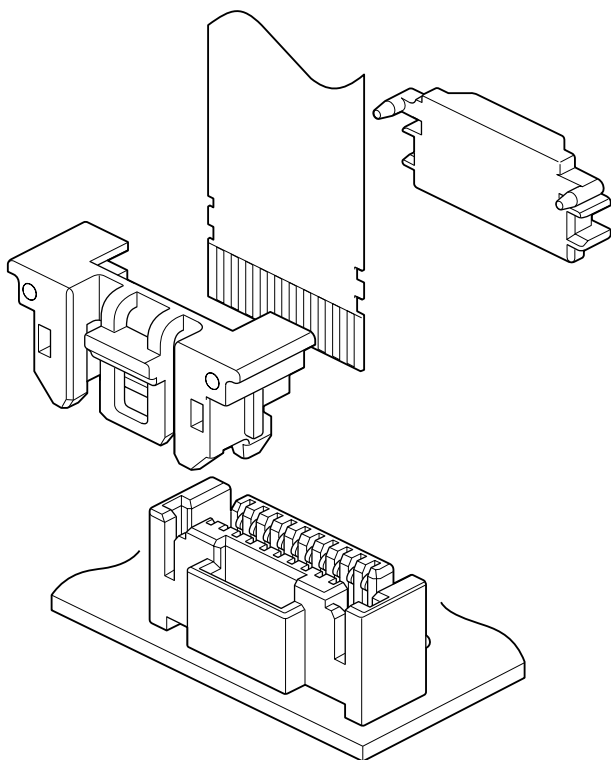
Yoke block: Zinc alloy
Yoke spring: Copper alloy, tin-plated
O-ring: Silicone, red
M3 bolt: Steel, zinc-plated

FOX CONNECTOR

Connectors for FPC and FFC



The FOX connector for FFC achieves high operability on the automobile assembly process. In addition, locking structure is provided on the FFC side to improve reliability of the connector.



Features

●Reliable locking structure

Locking structure is provided on the FFC side to prevent incomplete mating and improve FFC retention force greatly.

●High resistance to scooping (kojiri)

This connector has high resistance to scooping (kojiri) insertion and withdrawal as well as general connectors for automobile by mounting a plug housing and a retainer on the FFC side.

●Temporary board retention feature

The connector can be temporarily held on a printed circuit board by clinching the contact solder tail. It prevents lifting of the connector.

●Two types of connections

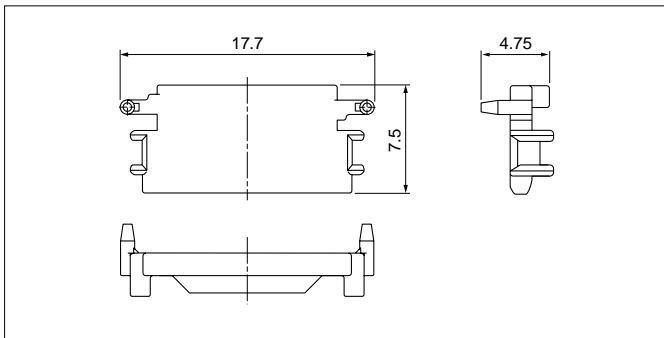
This connector is available in top and side entry type depending on its mounting designs.

Specifications

- Current rating: 1.5A AC, DC
- Voltage rating: 12V AC, DC
- Temperature range: -40°C to +90°C
(including temperature rise in applying electrical current)
- Contact resistance: Initial value/10mΩ max.
After environmental testing/30mΩ max.
- Insulation resistance: 100MΩ min.
- Withstanding voltage: 500V AC/minute
- Applicable FFC: Lead material/Tin-plated annealed copper foil
Lead pitch/1.25mm
Lead width/0.8mm
Mating part thickness/0.3±0.05mm
- Applicable PC board: Thickness/1.6mm
Hole size/0.8±0.1mm (Through-hole)

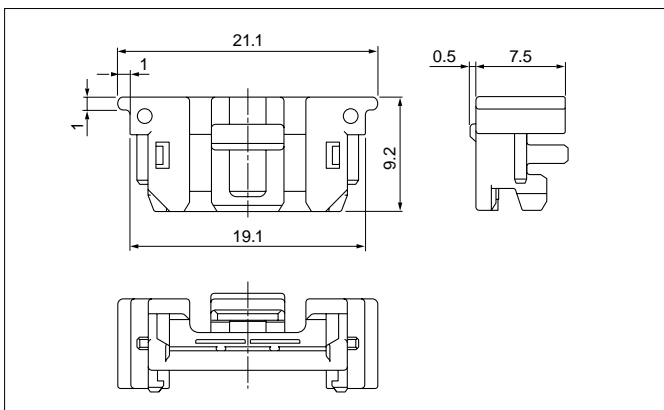
- * Compliant with ELV/RoHS.
- * Contact JST for details.

Plug housing



Circuits	Model No.	Q'ty/box
10	FOXP-10K	500
Material		
Glass-filled PPS, black		

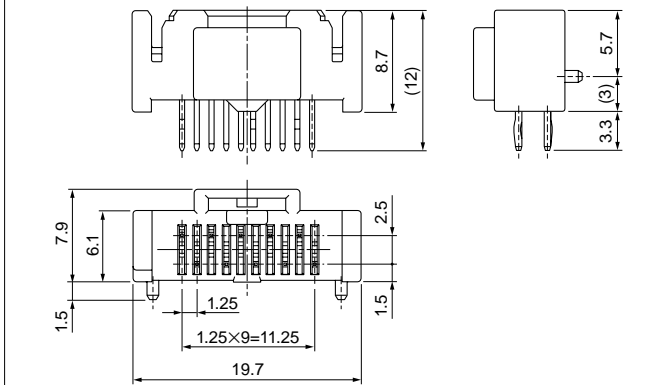
Retainer



Circuits	Model No.	Q'ty/bag
10	FOXS-10K	500
Material		
Glass-filled PPS, black		

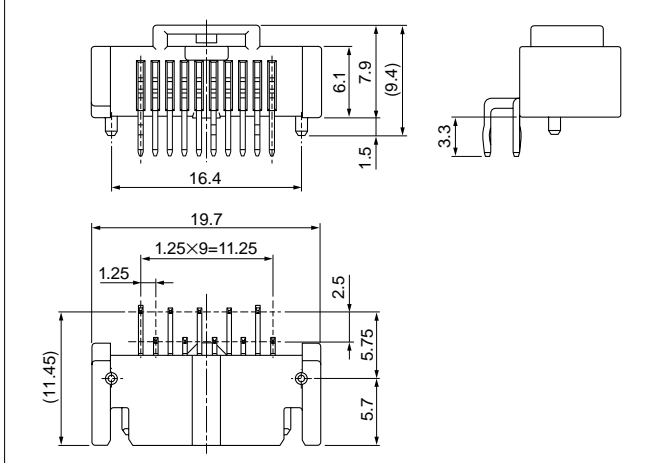
Header

Top entry type



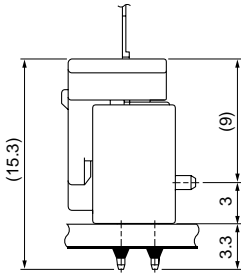
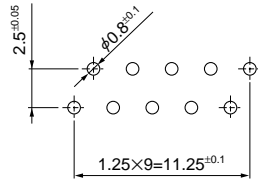
Circuits	Model No.		Q'ty/box
	Top entry type	Side entry type	
10	B10-FOXK-LF	S10-FOXK-LF	231
Material and Finish			
Terminal: Copper alloy, copper-undercoated, tin-plated (reflow treatment)			
Housing: Glass-filled PPS, black			

Side entry type

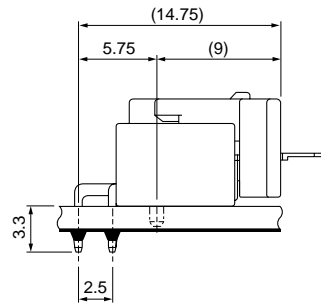
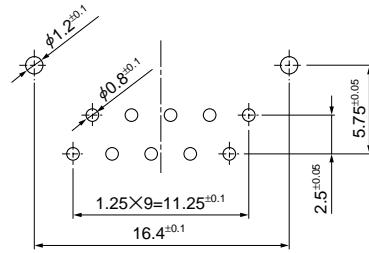


PC board layout, Assembly layout

Top entry type

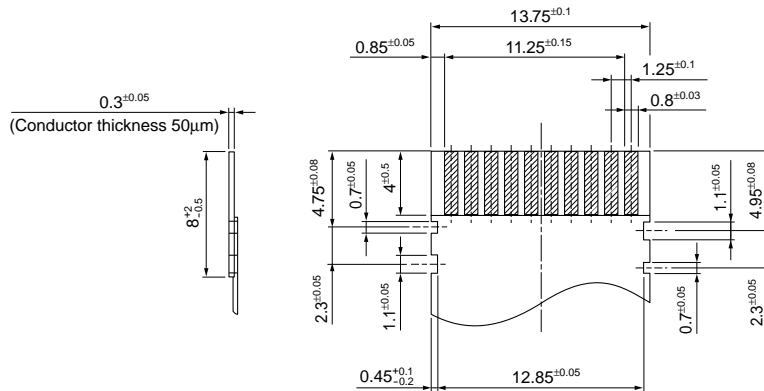


Side entry type



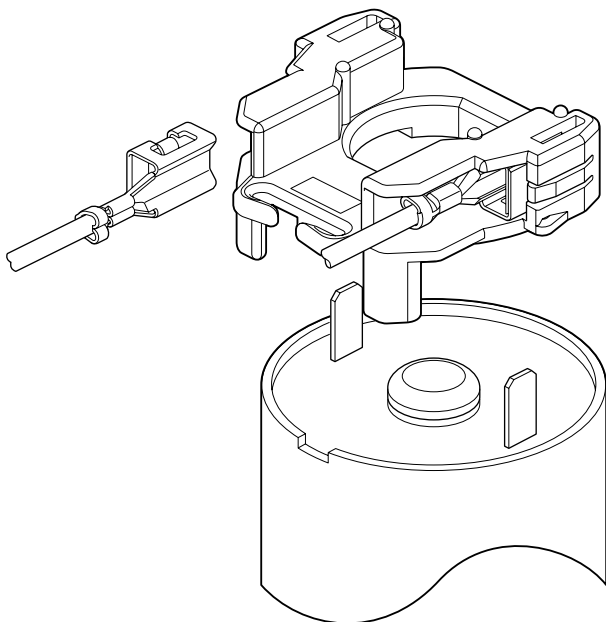
- Note: 1. Tolerances are non-cumulative: ± 0.05 mm for all centers.
 2. Hole dimensions differ according to the type of PC board and piercing method.
 The dimensions above should serve as guideline. Contact JST for details.

Lead section dimensions of FPC





This is a connector for motor connection developed for the electric door mirror unit for automotive.



Features

● Compact, low profile design

Side mating type, and the motor terminal to be able to mate from both sides.

This connector achieves miniaturization and low profile.

● Heat resisting creep

An excellent material in the high temperature heat creep characteristic is adopted in consideration of heat from motor.

● Terminal construction

It is designed to prevent the deformation of the contact area when processing wire harness by protecting the contact area of each terminal with a box.

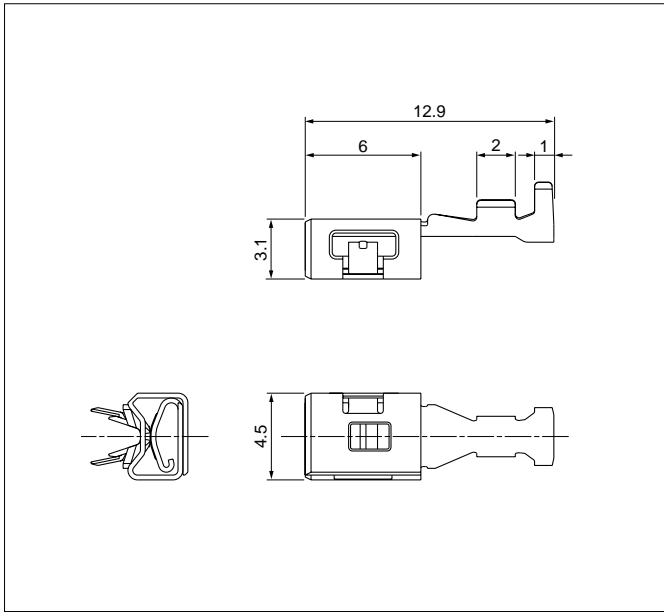
Specifications

- Current rating: 3A AC, DC (Single circuit)
- Voltage rating: 16V AC, DC
- Temperature range: -40°C to +80°C
(including temperature rise in applying electrical current)
- Contact resistance: Initial value/8mΩ max.
After environmental testing/16mΩ max.
- Insulation resistance: 100MΩ min.
- Withstanding voltage: 1,000V AC/minute
- Applicable wire: AVSS
0.3mm²

* Compliant with ELV/RoHS.

* Contact JST for details.

Contact

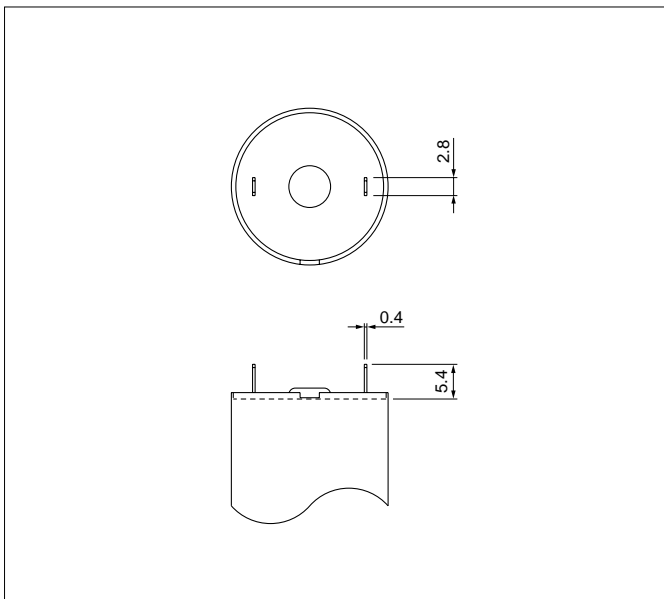


Model No.	Applicable wire range		Q'ty/reel
	Conductor (mm ²)	Insulation O.D. (mm)	
SBIC-01T-P2.8	0.3	1.4	1,500

Material and Finish

Copper alloy, tin-plated (reflow treatment)

Motor terminal size



Note: The mating motor terminal size of this connector is shown above.
The dimensions above should serve as guideline. Contact JST for details.

Crimping machine, Applicator

Contact	Crimping machine	Crimp applicator MKS-L	
		Dies	Crimp applicator with dies
SBIC-01T-P2.8	AP-K2N	MK/SBIC-01-28	APLMK SBIC01-28

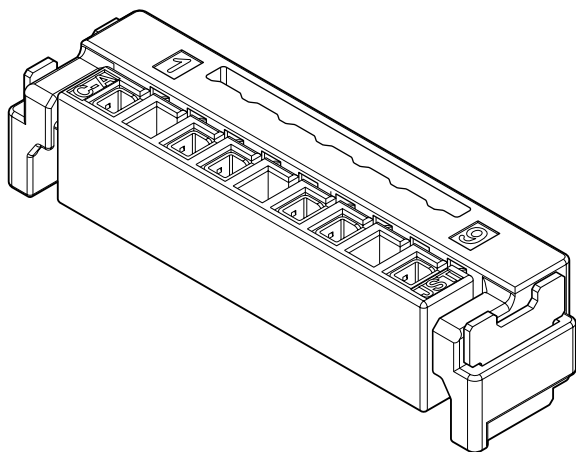
Note: When crimping operation is conducted using an applicator and die set other than the above, JST cannot guarantee the performance of the terminal.

HVD CONNECTOR

Board-to-board



0.64 unsealed alignment-free, low profile surface mount connector for automobile applications.



Features

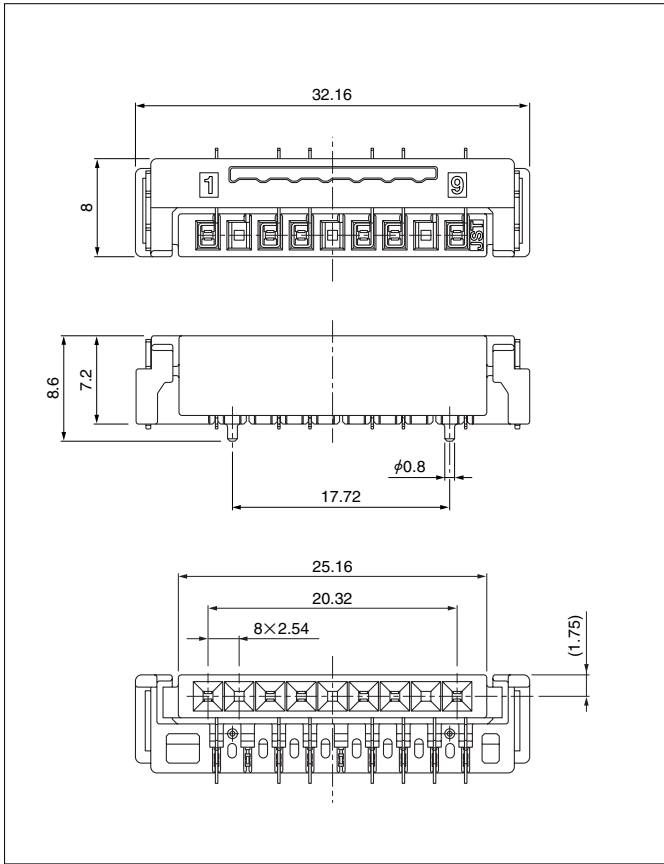
- Low profile Surface mount Board-to-board Connectors, Compliant with Automotive Performance Specifications
- Accepts 0.64 Male Blade
- Misalignment absorption feature
- Variations
Up to 9 positions in any configuration
- Lead Free Reflow capable

Specifications

- Current rating: 4.5A DC max.
- Voltage rating: 14V DC
- Temperature range: -40°C to +125°C
(including temperature rise in applying electrical current)
- Contact resistance: Initial value/15mΩ max.
After environmental testing/15mΩ max.
- Insulation resistance: 100MΩ min.

* Compliant with ELV/RoHS.
* Contact JST for details.

Connector

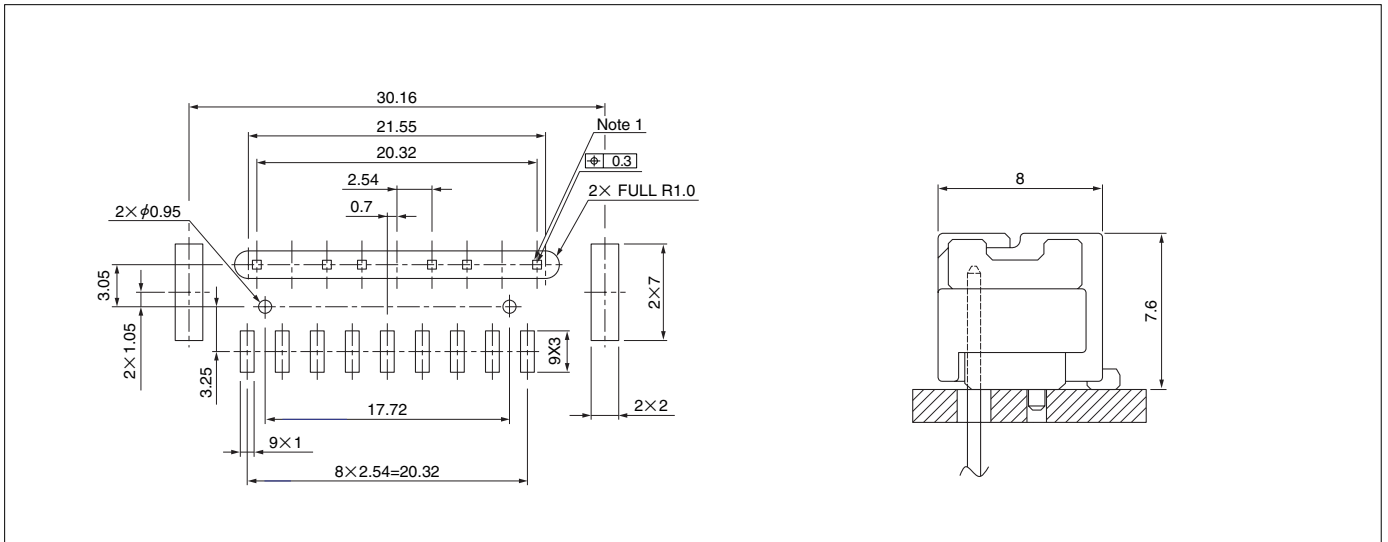


Circuits	Model No.	Q'ty/reel	Housing Color
6	09HVD6B-EMGF-NR	900	Brown

Material and Finish

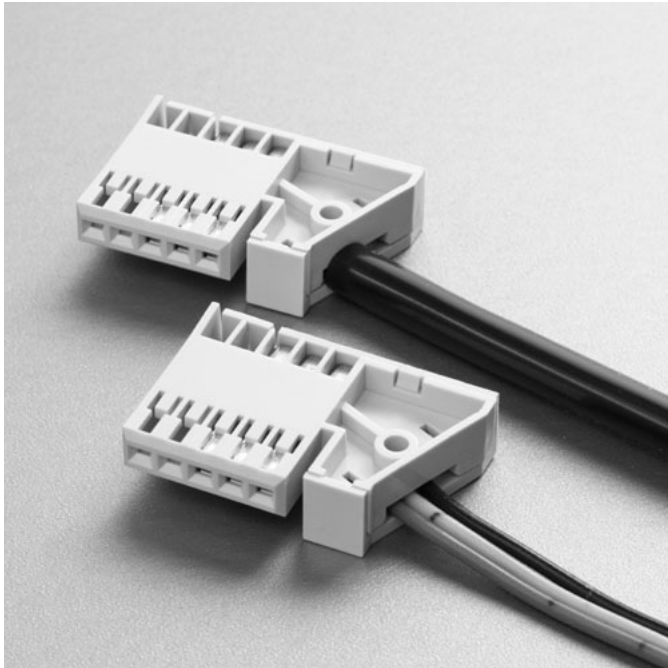
Housing: PPS
 Terminal: Copper alloy, tin-plated, selective gold-plated
 Reinforcement: Brass, tin-plated

PC board layout, Assembly layout



- Note: 1. 0.64 pins comply with EWCAP_001.
 2. Tolerances are non-cumulative: $\pm 0.05\text{mm}$ for all centers.
 3. Hole dimensions differ according to the type of PC board and piercing method.
 The dimensions above should serve as guideline. Contact JST for details.

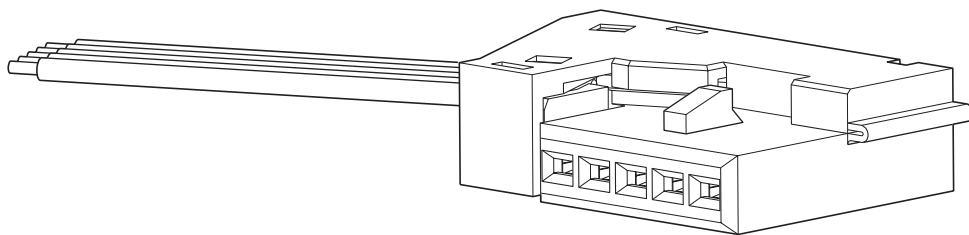
PFW CONNECTOR



This connector has versatile terminal and is used for top column module.

Features

- Versatile Terminal : Crimping or Soldered FFC
- Top column Module

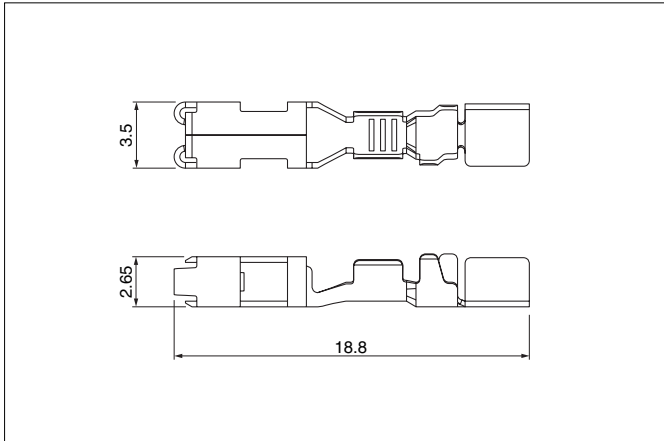


Specifications

- Current rating: 5A AC, DC (0.5mm²)
- Voltage rating: 14V DC
- Temperature range: -40°C to +85°C
(including temperature rise in applying electrical current)
- Insulation resistance: 100MΩ min.
- Withstanding voltage: 1,000V AC/minute
- Applicable wire: 0.5mm²

* Compliant with ELV/RoHS.
* Contact JST for details.

Female terminal

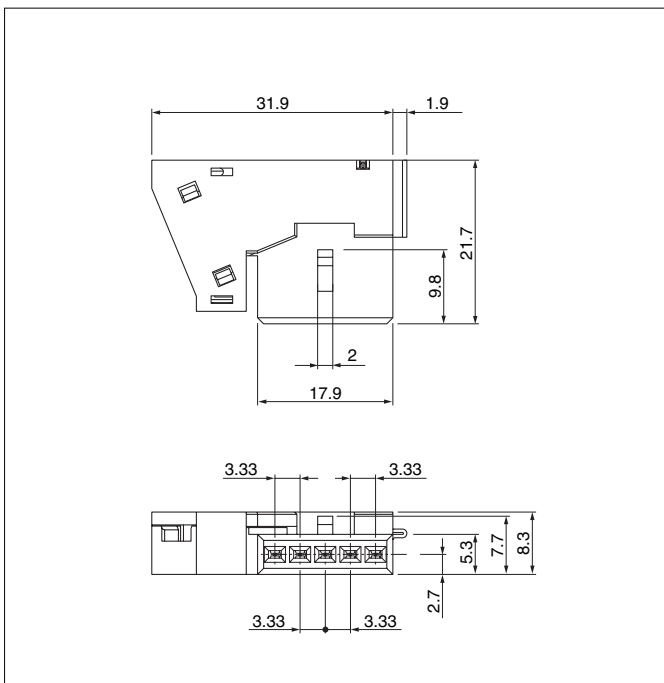


Model No.	Applicable wire range		Q'ty/reel
	Conductor (mm ²)	Insulation O.D. (mm)	
SPFW-03T-PW	0.5	1.4 to 1.8	7,000

Material and Finish

Copper alloy, selective tin-plated

Female connector



Circuits	Model No.	Q'ty/box
5	PFWR-05-H	1,000

Material

PA 66, UL94V-0, gray

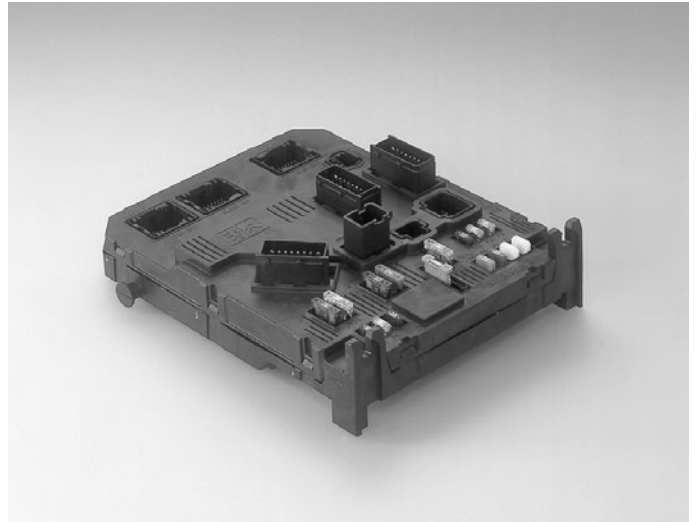
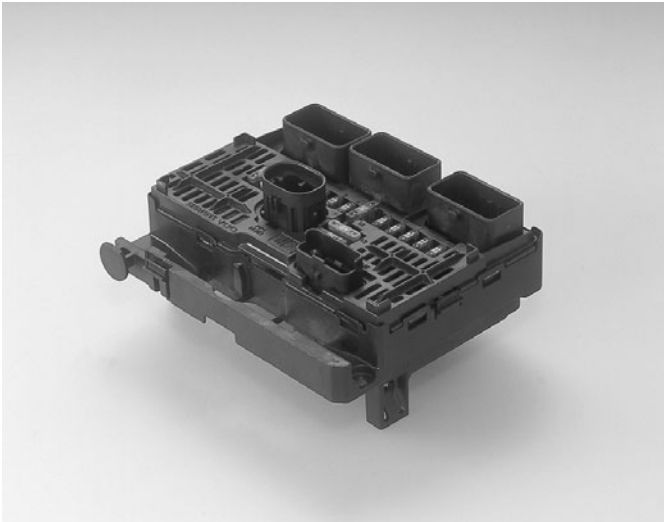
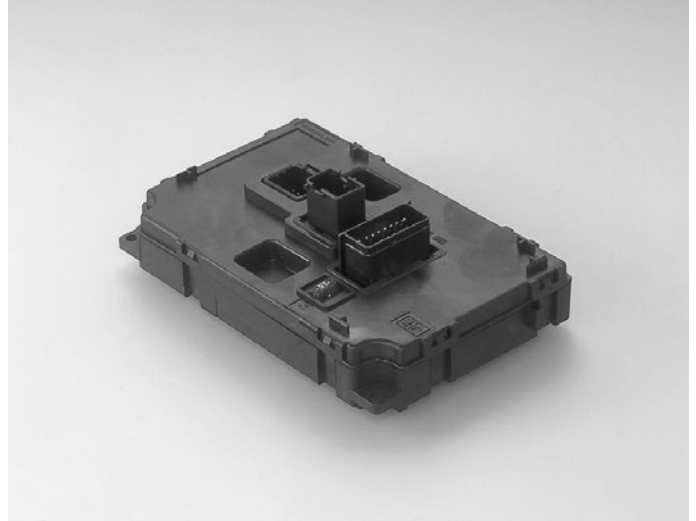
Crimping machine, Applicator

Strip terminal	Crimping machine	Crimp applicator MKS-L	
		Dies	Crimp applicator with dies
SPFW-03T-PW	AP-K2N	MK/SPFW-03-PW	APLMK SPFW03-PW

Note: When crimping operation is conducted using an applicator and die set other than the above, JST cannot guarantee the performance of the terminal.

JUNCTION BOX

Custom-made connector



This product is developed by the custom-made for junction box, fuse box, and relay box for automobile.

Features

Various configurations, number of circuits, and the fuse specification can be developed according to the custom-made.

ASIA**JAPAN**

J.S.T. MFG. CO., LTD
<Head Office / Osaka Sales Office / Sales Support Group (Overseas department)>
6-8, 2-chome, Shigino-nishi, Joto-ku, Osaka, 536-0014 JAPAN
(Head Office) Phone: +81-6-6961-0070 Fax: +81-6-6967-1155
(Osaka Sales Office) Phone: +81-6-6968-1121 Fax: +81-6-6968-2666
(Sales Support Group) Phone: +81-6-6968-6855 Fax(G4): +81-6-6964-2085
<URL> http://www.jst-mfg.com

<Utsunomiya Sales Office>
635-2, Nozawa-cho, Utsunomiya, Tochigi, 320-0071 JAPAN
Phone: +81-28-666-1000 Fax: +81-28-666-1007

<Kanto Sales Office>
8-24,4chome,Tarumachi,Kohoku-ku,Yokohama 222-0001 Japan
Phone:+81-45-543-1271 Fax:+81-45-544-1503

<Nagoya Sales Office>
1099-25, Marune, Kurozasa, Miyoshi-cho, Nishi-Kamo-gun, Aichi, 470-0201 JAPAN
Phone: +81-561-33-0600 Fax: +81-561-33-0927

<Osaka Engineering Center>
3-9-23, Takeshima, Nishi-yodogawa-ku, Osaka, 555-0011 JAPAN
Phone: +81-6-6474-1705 Fax: +81-6-6476-2100

<Tokyo Engineering Center>
4-8-24, Taru-machi, Kohoku-ku, Yokohama, 222-0001 JAPAN
Phone: +81-45-540-1688 Fax: +81-45-540-2059

<Nagoya Engineering Center>
1099-25, Marune, Kurozasa, Miyoshi-cho, Nishi-Kamo-gun, Aichi, 470-0201 JAPAN
Phone: +81-561-33-0900 Fax: +81-561-33-0927

<In-no-sho Production Engineering Center>
1089, In-no-sho Industrial Park Sawa, In-no-sho, Tsuyama, Okayama, 708-0014 JAPAN
Phone: +81-868-28-2422 Fax: +81-868-28-2005

<Kurayoshi Production Engineering Center>
296, Igi, Kurayoshi, Tottori, 682-0024-JAPAN
Phone: +81-858-26-7660 Fax: +81-858-47-4370

J.S.T. SUPER TECHNOLOGIES CO., LTD.
<Nishi-kurayoshi Plant>
243-1, Shuki, Kurayoshi, Tottori, 682-0925 JAPAN
Phone: +81-858-28-5111 Fax: +81-858-48-2000

J.S.T. ELECTRONICS INDUSTRY CO., LTD.
<In-no-sho Plant>
1089, In-no-sho Industrial Park Sawa, In-no-sho, tsuyama, Okayama, 708-0014 JAPAN
Phone: +81-868-28-1133 Fax: +81-868-28-2004

J.S.T. ELECTRONICS COMPONENTS CO., LTD.
<Utsunomiya Plant>
1-1, Kiyohara Industrial Park, Utsunomiya, Tochigi, 321-3231 JAPAN
Phone: +81-28-667-5341 Fax: +81-28-670-1102

KOREA

J.S.T. KOREA CO., LTD.
<Yangsan Plant>
868-1, Eogok-dong, Yangsan-city, Gyongsangnam-do, 626-220 KOREA
Phone: +82-55-3715500 Fax: +82-55-3715599

J.S.T. SALES KOREA CO., LTD.
KOREA LIFE 14F, 1043, Hoguey-dong, Dongan-gu, Anyang-city, Gyunggi-do 431-080 KOREA
Phone: +82-31-3878772 Fax: +82-31-3876180

J.S.T. R&D CENTER KOREA CO., LTD.
<Seoul Engineering Center>
KOREA LIFE 15F, 1043, Hoguey-dong, Dongan-gu, Anyang-city, Gyunggi-do 431-080 KOREA
Phone: +82-31-4765939 Fax: +82-31-4765940

SINGAPORE

J.S.T. COMPONENTS (S) PTE. LTD.
<Singapore Sales Office / Singapore Engineering Center>
601, Sims Drive #04-11/13, Pan-I Complex, SINGAPORE 387382
Phone: +65-67430405 Fax: +65-67432775

THAILAND

J.S.T. COMPONENTS (THAILAND) CO., LTD.
252/95 18th Fl. Muang Thai Phatra Complex Tower 2, Rachadapisek Rd., Huay khwang, Bangkok, 10320 THAILAND
Phone: +66-2-6932905 Fax: +66-2-6932906

MALAYSIA

J.S.T. CONNECTORS (MALAYSIA) SDN. BHD.
<N-Plant>
Plot D04, Jalan Tanjung A/4, Pelabuhan Tanjung Pelepas, 81560 Gelang Patah, Johor, MALAYSIA
Phone: +60-7-5071590 Fax: +60-7-5071591

<I-Plant>
Plot D05, Jalan Tanjung A/4, Pelabuhan Tanjung Pelepas, 81560 Gelang Patah, Johor, MALAYSIA
Phone: +60-7-5071450 Fax: +60-7-5071460

<U-Plant>
Plot D06, Jalan Tanjung A/4, Pelabuhan Tanjung Pelepas, 81560 Gelang Patah, Johor, MALAYSIA
Phone: +60-7-5071545 Fax: +60-7-5071569

<S-Plant>
Plot D03, Jalan Tanjung A/4, Pelabuhan Tanjung Pelepas, 81560 Gelang Patah, Johor, MALAYSIA
Phone: +60-7-5072705 Fax: +60-7-5073707

<Johor Office>
Plot D03, Jalan Tanjung A/4, Pelabuhan Tanjung Pelepas, 81560 Gelang Patah, Johor, MALAYSIA
Phone: +60-7-5072644 Fax: +60-7-5072446

<Kuala Lumpur Office>
Block A17-6, JAYA One, No 72A, Jalan University, Section 13, 46200 Petaling Jaya, Selangor Darul Ehsan, MALAYSIA
Phone: +60-3-79554620 Fax: +60-3-79583802

<Penang Office>
Unit 12A-02, Menara PSCI, 39, Jalan Sultan Ahmad Shah 10050, Penang, MALAYSIA
Phone: +60-4-2267258 Fax: +60-4-2267269

CHINA

J.S.T. (H.K.) CO., LTD.
Unit A, 15/F, China Dyeing Works Building, 382-392, Castle Peak road, Tsuen Wan, N.T., Hong Kong, CHINA
Phone: +852-24137979 Fax: +852-24111193

J.S.T. MFG. (SHANGHAI) CO., LTD.
<Shanghai Plant>
55 Fu Te South Road, Waigaoqiao Free Trade Zone, Pudong Shanghai, 200131 CHINA
Phone: +86-21-50481976 Fax: +86-21-50481714

CHINA

J.S.T. (SHANGHAI) CO., LTD
<Sales Office>
55 Fu Te South Road, Waigaoqiao Free trade Zone, Pudong Shanghai, 200131 CHINA
Phone: +86-21-50482225 Fax: +86-21-50644297

<Dalian Office>
400 Yin fan Hotel, No. 135 Jinma Road, Economic & technical Development Zone, Dalian, 116600 CHINA
Phone: +86-411-87619121 Fax: +86-411-87618427

INDONESIA

P.T. J.S.T. INDONESIA
<Jakarta Plant / Jakarta Production Engineering Center / Jakarta Sales Office>
MM2100 Industrial Town Block GG-4, Cikarang Barat, Bekasi 17520, INDONESIA
(Plant / Production Engineering Center) Phone: +62-21-89982040 Fax: +62-21-89982041
(Sales Office) Phone: +62-21-89982033 Fax: +62-21-89982034

TAIWAN

J.S.T. ELECTRONICS CO., LTD.
5F., No.35, Sec. 3, Mincyuan E. Rd., Jhongsan district, Taipei City 104, TAIWAN R.O.C.
Phone: +886-2-25165551 Fax: +886-2-25165811

NORTH AMERICA**U.S.A.**

J.S.T. SALES AMERICA INC.
J.S.T. CORPORATION <Chicago Engineering Center>
1957 South Lakeside Drive, Waukegan, IL. 60085 U.S.A.
Phone: +1-847-473-1957 Fax(G4): +1-847-473-0144 <URL> http://www.jst.com

J.S.T. SALES AMERICA INC. <Detroit Sales Office>
J.S.T. CORPORATION <Detroit Engineering Center>
37879 Interchange Drive Farmington Hills, MI. 48335 U.S.A.
Phone: +1-248-324-1957 Fax: +1-248-324-1774

J.S.T. SALES AMERICA INC.
<Silicon Valley Office (San Jose)>
20111 Stevens Creek Boulevard, Suite 220, Cupertino, CA. 95014 U.S.A.
Phone: +1-408-252-0650 Fax: +1-408-252-0640

J.S.T. CORPORATION
<Harrisburg Production Engineering Center>
421C Amity Road, Harrisburg, PA. 17111 U.S.A.
Phone: +1-717-230-9055 Fax: +1-717-230-9978

SAN DIEGO J.S.T. SALES INC.
891 Kuhn Drive Suite 216 Chula Vista, CA. 91914 U.S.A.
Phone: +1-619-482-8447 Fax: +1-619-482-8501

SOUTH AMERICA**BRAZIL**

J.S.T. Brazil Eletrônica Ltda.
<Sao Paulo Office>
Rua Comendador Miguel Calfat, 59-cj, 92 Vila Olimpia-Sao Paulo SP 04537-080 BRAZIL
Phone: +55-11-3842-8800 Fax: +55-11-3842-6351

EUROPE**BELGIUM**

J.S.T. BELGIUM N.V.
<Kamperhout / Sales Office, ECE-Brussels>
Industrieterrein "SAS" Oudestraat 15, 1910 Kamperhout, BELGIUM
Phone: +32-16-600525 Fax: +32-16-605877
<URL>http://www.jst-europe.be

<Tessenderlo / Distribution Center>
Ambachtsstraat 1 B-3980 Tessenderlo, BELGIUM
Phone: +32-13-611690 Fax: +32-13-611699

SPAIN

J.S.T. ESPAÑA, S.A.
Pol. Ind. Coll de Montcada - c./Vilator, 20, 08110 Montcada I Reixac, Barcelona, SPAIN
Phone: +34-93-564-2120 Fax: +34-93-564-8266 <URL>http://www.jst.es

U.K.

J.S.T. (U.K.) LTD.
Blyth Road Halesworth, Suffolk, IP19 8EW, ENGLAND
Phone: +44-1986-874131 Fax: +44-1986-874276 <URL>http://www.jst.co.uk

GERMANY

J.S.T. DEUTSCHLAND GMBH
Kueferstrasse 15, 73650 Winterbach / P.O.Box 12 20, 73644 Winterbach, GERMANY
Phone: +49-7181-4007-0 Fax: +49-7181-4007-21 <URL>http://www.jst.de

AUSTRIA

J.S.T. OESTERREICH GMBH
Wolfgang Pauli Strasse 2 / Postfach 16, A-2700 Wiener Neustadt, AUSTRIA
Phone: +43-2622-2270-0 Fax: +43-2622-22700-111

FRANCE

J.S.T. FRANCE S.A.S.
Z.I. Vitry Marolles B.P.23, 51301 Vitry le Francois, FRANCE
Phone: +33-3-26724503 Fax: +33-3-26721088 <URL>http://www.jst.fr

JST GROUP - JRDP S.A.S.U.
4/6 Avenue du Vieil Etang Espace Ouest-Bâtiment B-1er Etage 78180 Montigny le Bretonneux, FRANCE
Phone: +33-1-61370980 Fax: +33-1-61372688

ITALY

J.S.T. ITALIA S.R.L.
Via Giuseppe di Vittorio 1, 20017 Mazzo di Rho, Milano, ITALY
Phone: +39-02-93900418 Fax: +39-02-93900421 <URL>http://www.jst.it

CZECH

JAPANESE SOLDERLESS TERMINALS S.R.O.
Chlumova 1, 58601 Jihlava, CZECH REPUBLIC
Phone: +420-66-7300271 Fax: +420-66-7300621

OCEANIA**AUSTRALIA**

J.S.T. (AUSTRALIA) PTY. LTD.
447 Mountain Highway, Bayswater Victoria AUSTRALIA 3153
Phone: +61-3-9729-5511 Fax: +61-3-9729-5600

In keeping with JST's policy of continual product development, JST reserves the right to make changes to the specifications of goods described in the catalogs at any time and without prior notice. The drawings and specifications in this catalog are for reference only. Please request original, most recent drawings and product specifications before use. Contact JST for details.