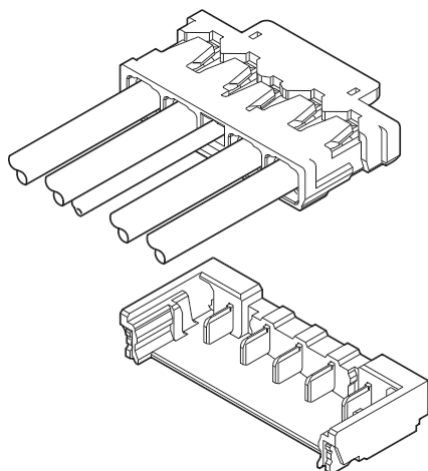
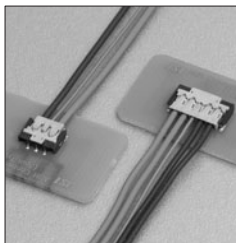


# AUH CONNECTOR

1.85mm pitch / Disconnectable Crimp style connector



The AUH connector is a compact and low profile, 5A rated, wire-to-board crimp connector system (1.85mm height, depth 5.2mm).

- Space-saving
- Top Entry-side feed type
- combo specification of power supply + signal  
2-pole + signal 1-pole 3-pole power products ...  
4-pole + signal 1-pole 5-pole power products ...
- DC power supply connector (5A)

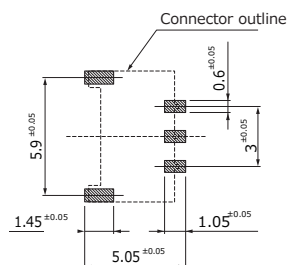
## Specifications

- Current rating: Signal - 1A AC·DC  
Power - 5A AC·DC (using 22 AWG wire)
- Voltage rating: 30V AC·DC
- Temperature range: -25°C ~ +85°C (including temperature rise in applying electrical current)
- Contact resistance: Initial value / 10mΩ max.  
After environmental testing / 20mΩ max.
- Insulation resistance: 100MΩ min.
- Withstanding voltage: AC 200V/1minute
- Applicable wire: Signal conductor size / 30~28 AWG  
Insulation O.D. / 0.5~0.63mm  
Power conductor size / 26~22 AWG  
(22 AWG, Recommended UL3619)  
Insulation O.D. / 0.98~1.16mm
- Before using, please refer to the notes of the use at the end of this catalog "Terminals and Connectors".
- Please contact JST for more information.
- RoHS Compatible

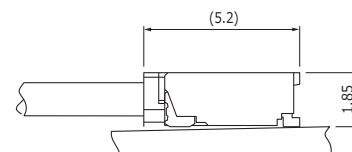
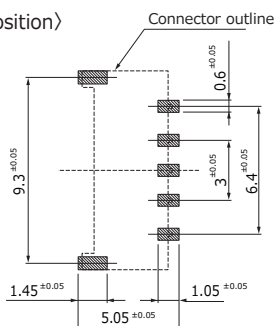
## Standards

UL Recognized E 60389

(3 position)



(5 position)

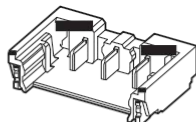


Note: 1) The above figure is the figure viewed from the connector mounting

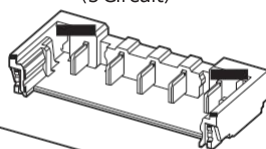
2) Toleranced are non-cumulative: ±0.05mm for all centers. The dimensions above should serve as a guideline. Contact JST for details.

## Current combination rating table

(3 Circuit)



(5 Circuit)



No.1

No.2

No.3

No.1

No.2

No.3

No.4 No.5

Current unit (A)

Position	Power Wire sizes	Circuits		
		No.1	No.2	No.3
3	AWG#22	5	1	5
	AWG#24	4	1	4
	AWG#26	3.5	1	3.5

■ Signal wire sizes: 30~28 AWG

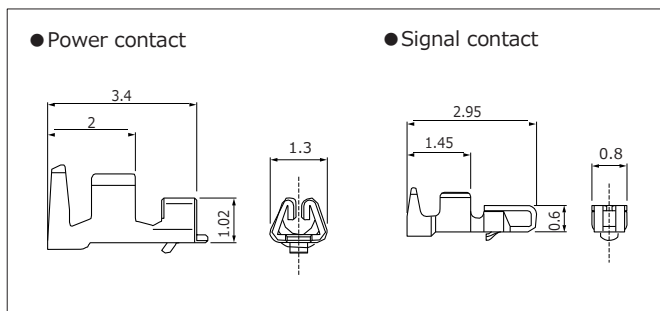
Current unit (A)

Position	Power Wire sizes	Circuits				
		No.1	No.2	No.3	No.4	No.5
5	AWG#22	5	1	1	1	5
		4	4	1	4	4
	AWG#24	4	1	1	1	4
		3.5	3.5	1	3.5	3.5
	AWG#26	3.5	1	1	1	3.5
		3	3	1	1	3

■ Signal wire sizes: 30~28 AWG

# AUH CONNECTOR

## Contact



	Part	Applicable wire		Insulation OD(mm)	Qty / reel
		mm <sup>2</sup>	AWG#		
Power	SAUH-001G-M0.2	0.13~0.33	26~22	0.98~1.16	18,000
Signal	SACH-003G-P0.2	0.05~0.08	30~28	0.5~0.63	30,000

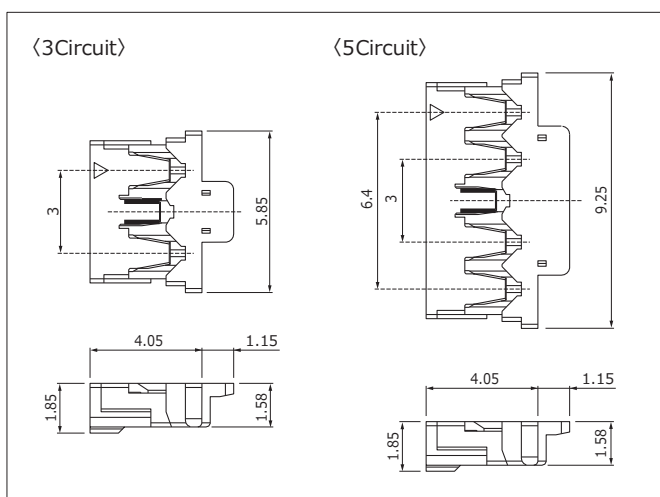
### Material and finish

Copper alloy, nickel-undercoated, selective gold plating

● RoHS compliant

Part number	Crimp machine	Applicable wire		Insulation OD (mm)	Applicator		
		mm <sup>2</sup>	AWG#		Crimp Applicator	Dies	Crimp applicator & dies
SAUH-001G-M0.2	AP-K2N	0.13~0.21	26~24	0.98~1.11	MKS-L-10	MK/SAUH-001-02	APLMK SAUH001-02
		0.21~0.33	24~22	0.98~1.16	MKS-L-10	MK/SAUH-001-02-K	APLMK SAUH001-02-K
SACH-003G-P0.2		0.05~0.08	30~28	0.5~0.63	MKS-L-10-3	MK/SACH-003-02	APLMK SACH003-02
					—	—	—

## Housing



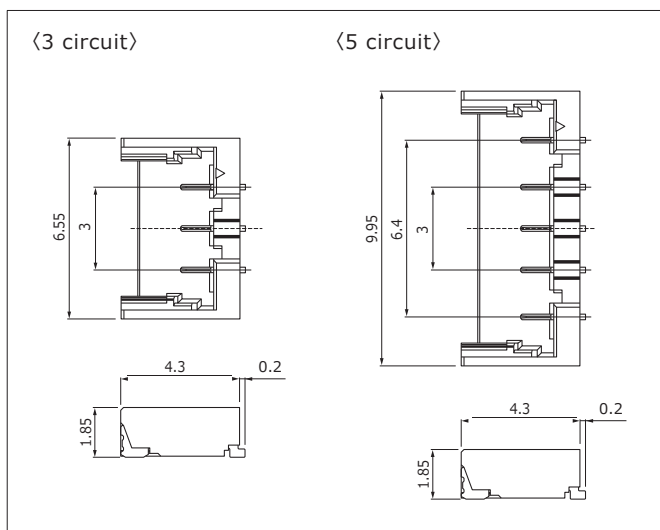
Circuit number	Part number	Qty/box
3	AUHR-03V-H	1,000
5	AUHR-05V-H	1,000

### Material

PBT · UL94V-0, Gray

● RoHS compliant

## Shrouded header



Circuit number	Part number	Qty / reel
3	BM03B-AUHKS-GA-TB	5,000
5	BM05B-AUHKS-GA-TB	5,000

### Material and finish

Contact: Copper alloy, nickel-base, gold-plated (nickel-stripe)

Housing: heat-resistant resin · UL94V-0, black metal fittings:

Copper alloy, copper-undercoated, tin-plated (reflow treatment)

● RoHS compliant This product displays (LF)(SN) on the label.